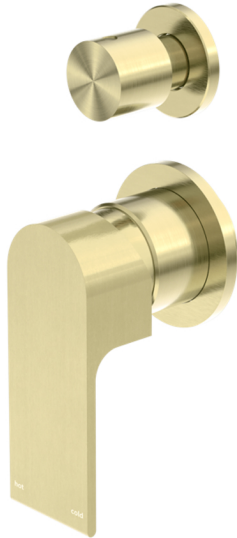


Nero

BIANCA SHOWER MIXER WITH DEVERTOR SEPARATE PLATE



SPECIFICATION

PRODUCT CODE	YSW3215-09G
WELS RATING	N/A
WATERMARK LICENSE	WM-060073
TEMPERATURE RATING	MIN 1°C-MAX 75°C
PRESSURE RATING	MIN 150KPa-MAX 500KPa

FINISH

NR321509gCH	chrome
NR321509gMB	matte black
NR321509gBN	brushed nickel
NR321509gGM	gun metal
NR321509gBG	brushed gold

MAINTENANCE AND CARE

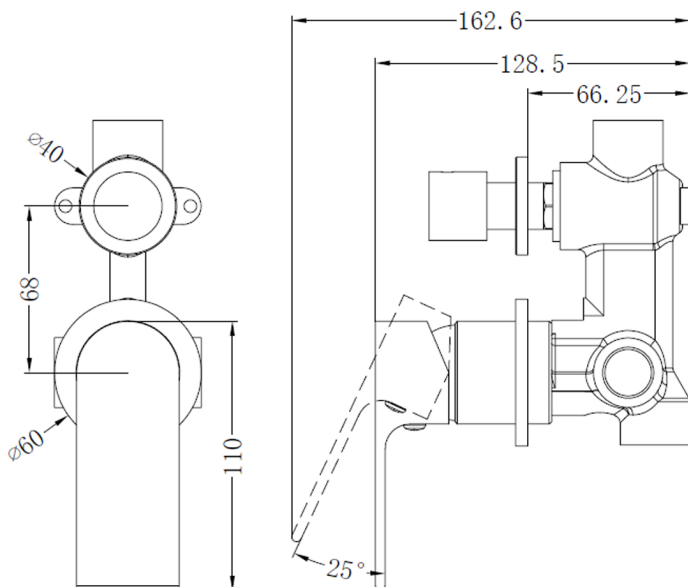
All surfaces should be cleaned with mild liquid detergent or soap and water.

Do not use cream cleaners or citrus based cleaning products, as they are abrasive.

Use of unsuitable cleaning agents may damage the surface. Any damage caused in this way will not be covered by warranty

PACKAGING INCLUDES

- 1x mixer body
- 1x plate
- 1x handle
- 1x diverter
- 1x installation kit



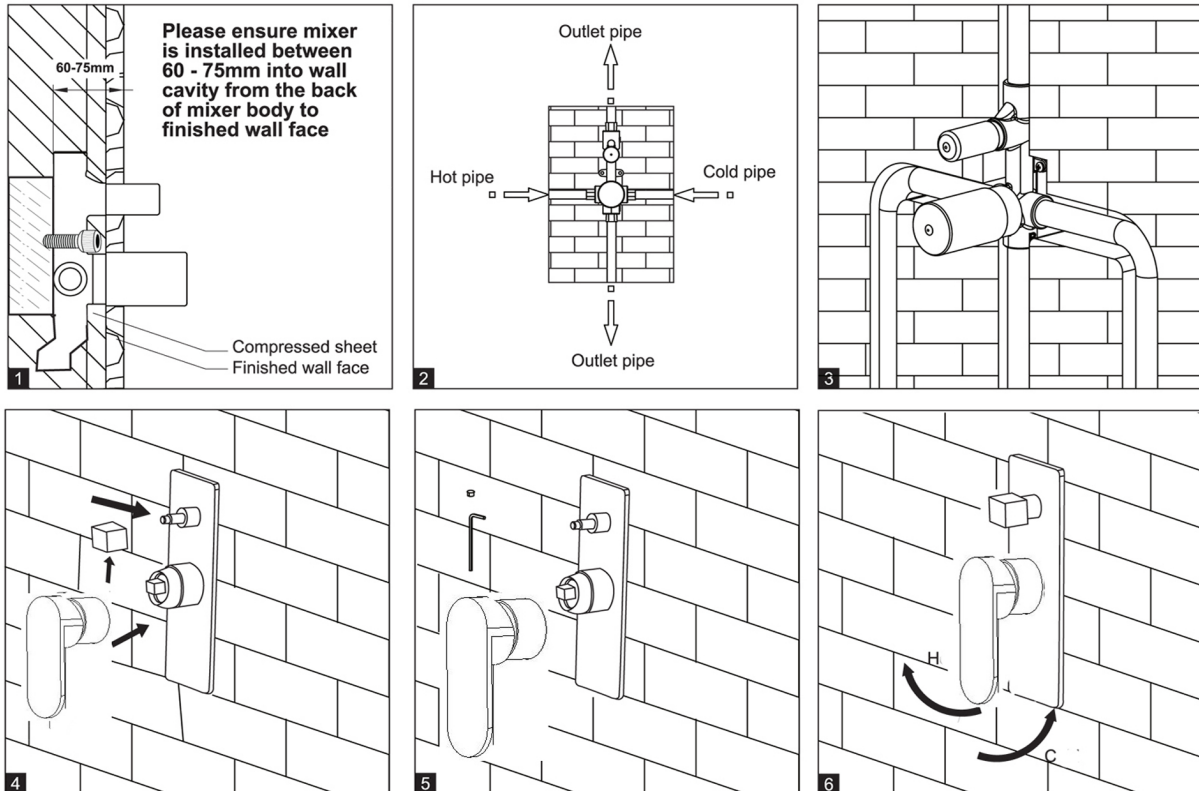
Dimensions are nominal measurements only.



Versions: 2019.11.26

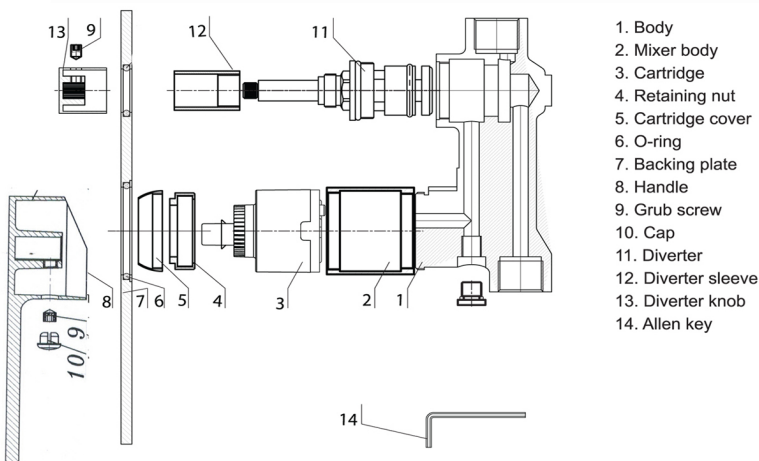
www.nerotapware.com.au

INSTALL INSTRUCTION



1. Install mixer body into wall cavity. Refer to diagram 1 above for setting depth of mixer body in relation to finished wall face.
2. Connect all pipe work as per diagram 2 above.
3. Pressure test for leaks, then proceed to waterproof installation.
4. Remove protective sleeve and install decorator plate.
5. Install handle and diverter knob.
6. Operate mixer diverter.

EXPLOSIVE VIEW



1. Body
2. Mixer body
3. Cartridge
4. Retaining nut
5. Cartridge cover
6. O-ring
7. Backing plate
8. Handle
9. Grub screw
10. Cap
11. Diverter
12. Diverter sleeve
13. Diverter knob
14. Allen key

To remove cartridge

⚠ First shut off the water supply to the tap.

- 1: Remove cap from the handle.
- 2: Loosen the grub screw in handle, but do not remove it.
- 3: Take off the handle, unscrew the cartridge cover.
- 4: Using a correct size spanner unscrew the retaining nut.
- 5: Pull the cartridge out.
- 6: Replace cartridge and reassemble mixer.