

Olympia

Inset Bath



www.harperbathroom.com.au

VIVIANCLIVE



Product Code: 931709203
Product Code: 931709204

Olympia Inset Bath

The Olympia Inset Island Bath is the ultimate bathing experience. The center outlet and dual inclined ends make it extremely comfortable to use.

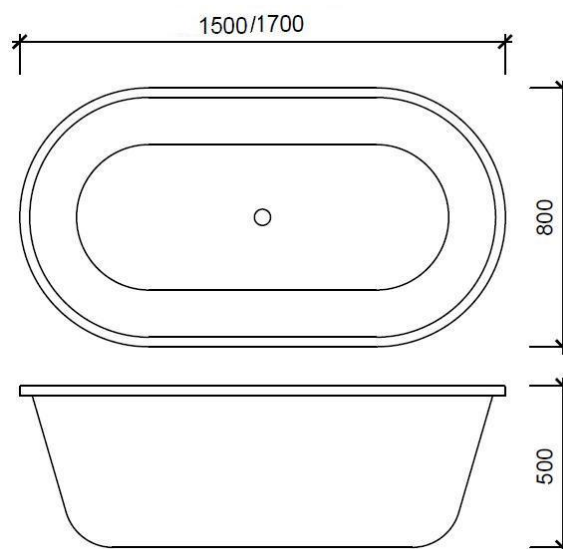
- Sanitary Grade Acrylic
- Center Waste
- Anti-Skid Surface
- Heat Retaining Finish

Capacity:

1500 size – 320L approx.
1700 size – 376L approx.

Warranty:

10 Year Replacement Warranty
For Full Terms & Conditions see Warranty Information Form



Size and description are correct to the best of our ability, however, variations can occur and changes may be made without notice. In some cases, slight variations of colour and/or size may be inherent in the material used or manufacturing process. Harper's Bathroom always recommends that the actual product be on site prior to start of job, so as to best gauge fit for installation and purpose. E&OE.