

Double Bowl and Drainer Sink Squared Corners



Harper's Bathroom
every bathroom, every budget

www.harperbathroom.com.au

Double Bowl and Drainer Sink Squared Corners

Timeless and affordable, these classic sinks are sure to complement any home.

- 304 Grade Stainless Steel
- Designer Basket Waste Included
- Rubber Seals and Mounting Clips Included
- 1 Tap hole



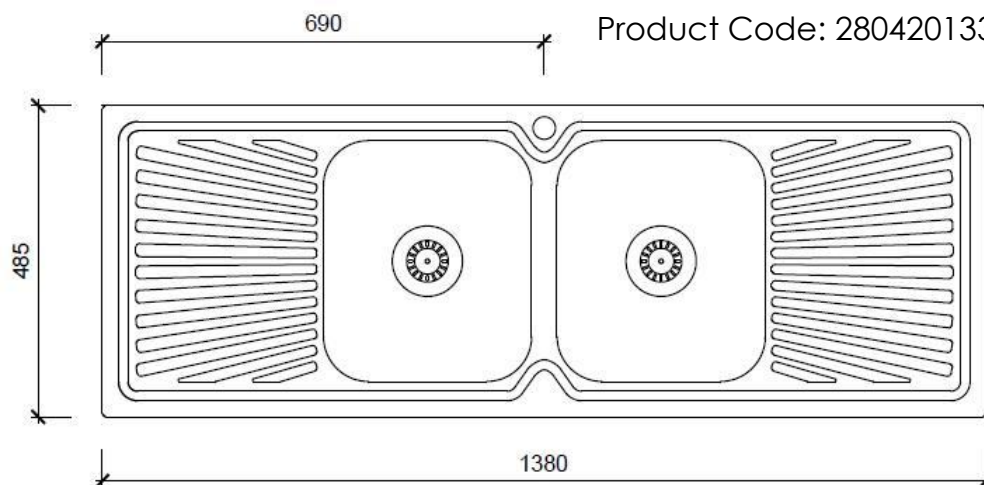
Capacity:

21 Litres each bowl

Warranty:

5 Years

Product Code: 280420133



Size and description are correct to the best of our ability, however, variations can occur and changes may be made without notice.

In some cases, slight variations of colour and/or size may be inherent in the material used or manufacturing process. Harper's Bathroom always recommends that the actual product be on site prior to start of job, so as to best gauge fit for installation and purpose. E&OE.