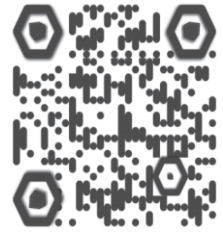


BELLAVISTA

Australian Patent Number
APP:2022218624 Associated Pat No: 2022901835

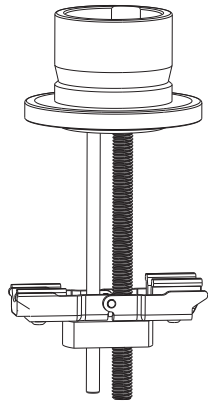
Quick Fit Bracket=QFB

Scan for installation guide



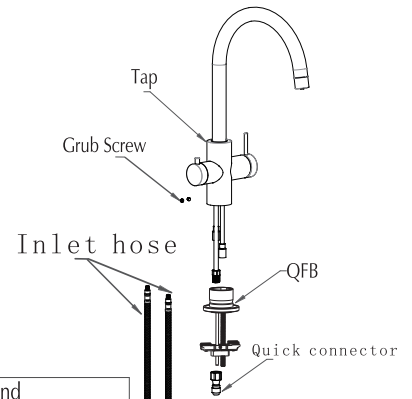
Item No: SM-4-FLT
SM-5-FLT
(4822) By K.S

Thank you for buying Bella Vista
This product must be installed by a licensed Plumber



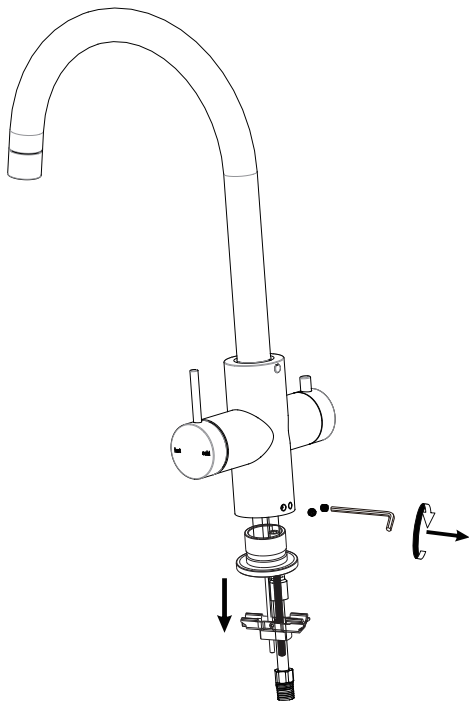
Quick Fit Bracket=QFB

Plumbers Favorite

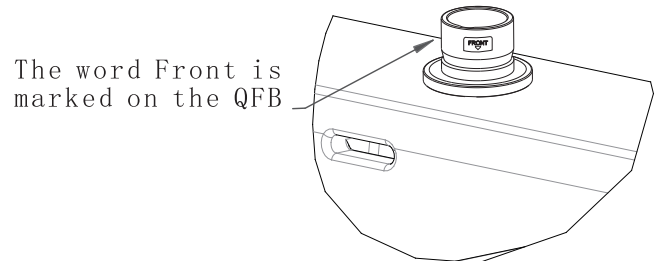


Step 1	Loosen Grub screw and separate the tap from the QFB
Step 2	Tighten the QFB in position required
Step 3	Tighten the grub screw to the QFB and connect hoses

Step 1 Loosen the main screw and take out the QFB parts



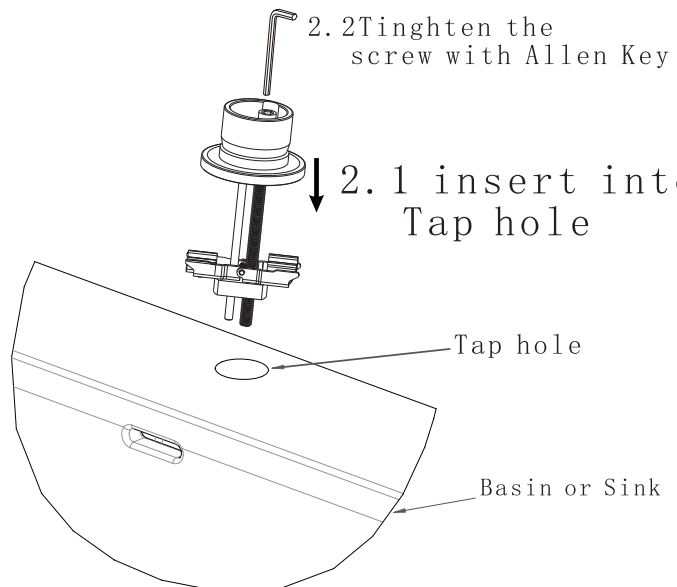
Step 2 Insert the QFB part into the basin hole, make sure the direction is marked, and then lock it with a hex wrench



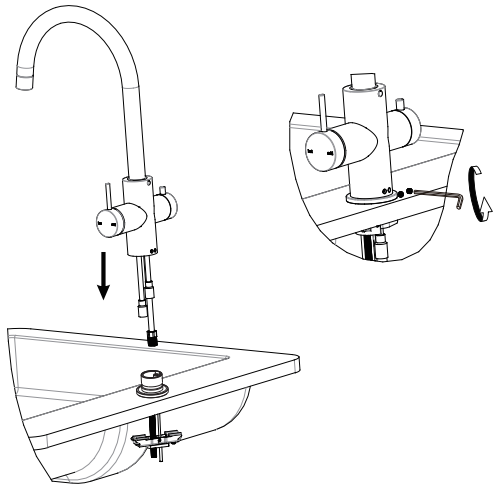
The word Front is marked on the QFB

2.2 Tighten the screw with Allen Key

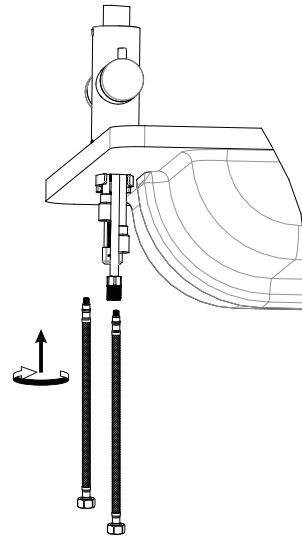
2.1 insert into Tap hole



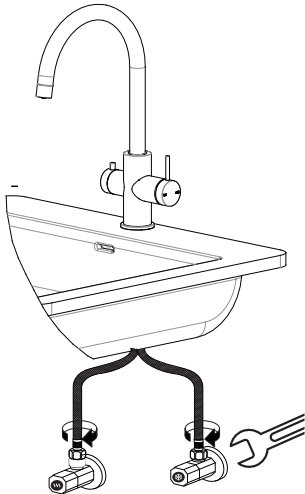
Step 3 Insert the faucet into the QFB part and lock the screw



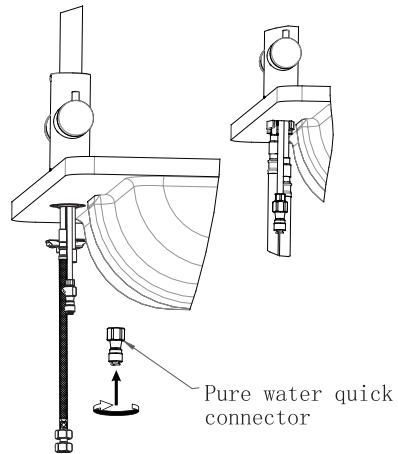
Step 4 Connect water inlet hose to faucet



Step 5 Connect the inlet hose to the water supply system



Step 6 Connect the purified water quick connector to the tap and then to the water supply system



This Tap must be installed by a licensed plumber

Thank you for choosing Bella Vista