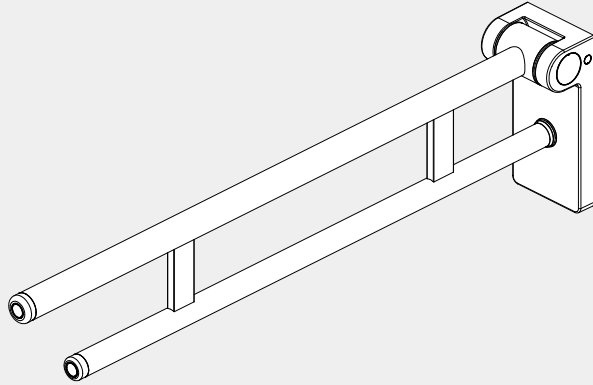


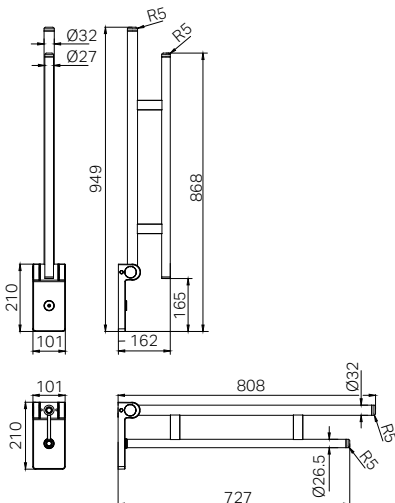
# Mecca Care Foldable Toilet Support Arm

# Nero



Version : 202511

## Drawing



## Features

- Approved to ISO 17966 load and durability standards for hinged rails and arm supports, independently tested by Intertek
- Meets grab rail design requirements for AS1428.1, for load requirements refer to ISO 17966
- Foldable design for space-saving convenience with friction hinge to prevent rail falling
- 1200N, 120kg Capacity
- Minimalist design to suit modern care environments
- Ideal for aged care and accessible bathrooms

## Finish & SKU



**Chrome**  
NRCR0007CH



**Gun Metal**  
NRCR0007GM



**Brushed Nickel**  
NRCR0007BN



**Matte Black**  
NRCR0007MB



**Brushed Gold**  
NRCR0007BG



**Brushed Bronze**  
NRCR0007BZ

\*Dimensions are nominal measurements only.

## Packing Includes

- 1x Support Arm
- 1x Installation Kit

# INSTALLATION INSTRUCTIONS

## GENERAL INSTRUCTIONS:

- The Mecca Care foldable toilet support arm is designed to be installed in bathrooms to provide arm support for disabled users when using the toilet.
- The support arm must only be used in the horizontal position, the vertical position is only for storage.

## IMPORTANT NOTE

The Mecca Care foldable toilet support arm have been designed to withstand a maximum vertical static load of 120 kg and exceeding this loading limit may lead to permanent damage. Please use the fixing kit included for installation on concrete, solid brick walls and timber.

## PRODUCT SELECTION:

- Prior to installation we recommend conducting user, risk and building assessments to determine the product is suitable. This should include an Occupational Therapist experienced with home modifications to consider if the product is suitable for the user now and as their needs change in future.
- The installer will need to assess the building structure to determine if the wall suitable to take the high cantilever load of the rail or if modifications to the wall structure are required, this may require engineering.

## INSTALLATION CHECKS:

- Before installation, make sure the wall surface is clean and dry to ensure a secure attachment.
- For commercial/public bathrooms the rail should be installed at 800–810mm from the floor to the top of the rail and 375–385mm from the centreline of the toilet pan to the centreline of the rail.
- For private use the height should be determined based on the users individual needs.
- Installation should be completed by qualified tradesperson who complies with the AS1428.1 — Design for Access and Mobility standard / NZS 4121:2001 Design for Access and Mobility standards.
- When tightening screws, do not apply excessive force to prevent damage to the wall or the fixtures.
- Wear appropriate safety gear, such as gloves and safety glasses, to protect yourself during installation.
- Before drilling, check the wall for any hidden pipes or electrical wires to avoid accidental damage.
- Ensure all measurements are accurate before drilling holes to prevent misalignment of the accessories.

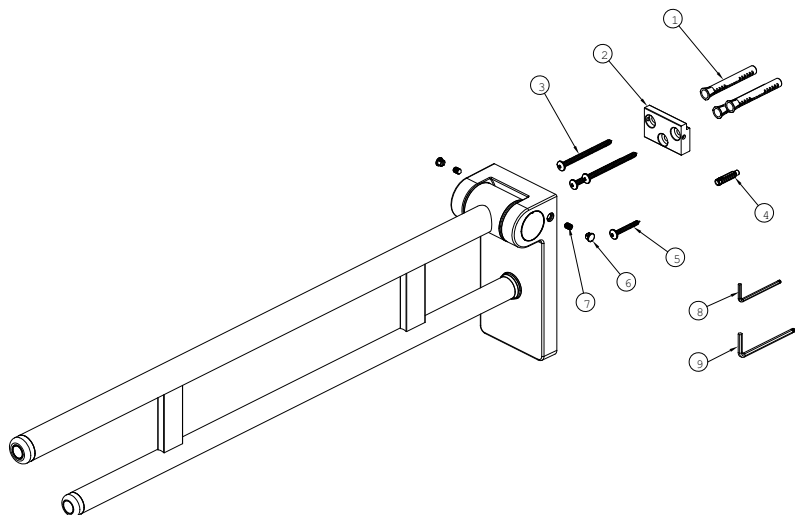
## POST INSTALLATION

- Visually inspect all rails before and after installation, check for loose fittings, damage, signs of corrosion or fatigue. Replace faulty parts immediately. Facilities should maintain a maintenance and repair log.
- If at any point you feel the product is not performing correctly please discontinue use and contact your supplier, include photos where possible.

## WARNING:

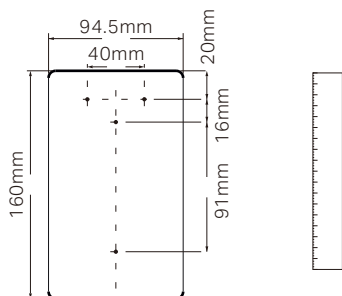
- The folding rails have potential pinch points when raising and lowering them to the horizontal position, ensure your hands and body parts are away from the hinge area when raising/lowering the arm

## PART NAMES

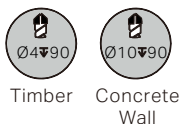
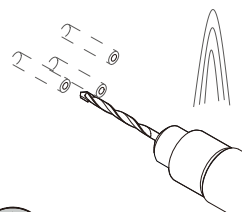


- ① 3x Ø10\*80 Expansion Plugs
- ② 1x Bracket
- ③ 3x M6\*80 Self-tapping Screws
- ④ 1x Expansion Plugs
- ⑤ 1x M5\*40 Self-tapping Screws
- ⑥ 2x Caps
- ⑦ 2x Grub Screws
- ⑧ 1x 3mm Ball-end Hex Key
- ⑨ 1x 6mm Ball-end Hex Key

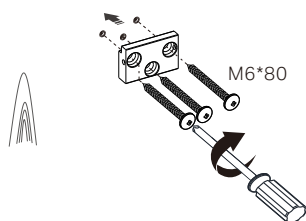
## INSTALLATION STEPS



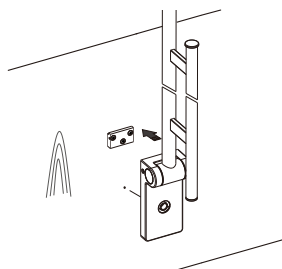
01. Mark the positions of the four mounting holes with a ruler on the concrete wall or timber following the diagram above.



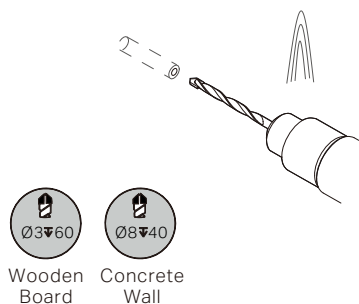
02. For timber, drill three  $\text{Ø}4 \times 90\text{mm}$  holes for self-tapping screws. For concrete walls, drill three  $\text{Ø}10 \times 90\text{mm}$  holes for expansion plugs.



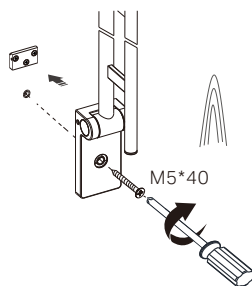
03. Secure the bracket directly with M6\*80 self-tapping screws on the wooden board. Note: For concrete walls, insert the expansion plugs into the drilled holes first.



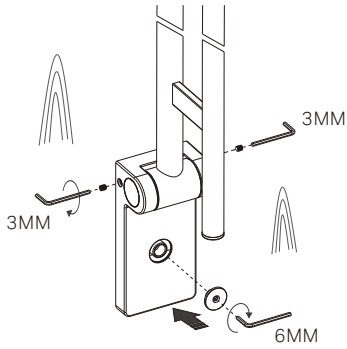
04. Fit the support arm into bracket and check the position of the base mounting hole.



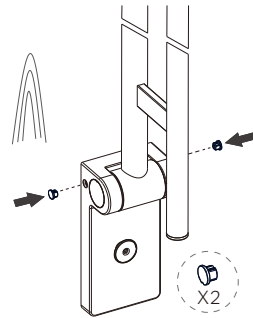
05. For timber, drill a  $\text{Ø}3 \times 60\text{mm}$  hole for screw to secure base. For concrete walls, drill a  $\text{Ø}8 \times 40\text{mm}$  hole for expansion plug.



06. Secure the base with M5\*40 self-tapping screw on the wooden board. Note: For concrete walls, insert the expansion plugs first



07. Tighten the grub screws to secure the support arm to the bracket. Screw on the cap to cover the base screw.



08. Press in the caps to cover the grub screws.

## MAINTENANCE AND CARE

Clean with a moist cloth and soap only, then simply wipe dry. Never use rough sponges, abrasives and chemical cleaners containing aggressive substances such as ammonia, bleach, acids, solvents.

# Nero

