

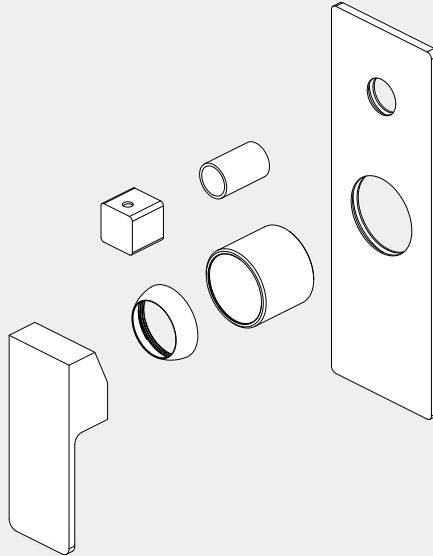
Celia Shower Mixer With Diverter

Trim Kits Only

Nero

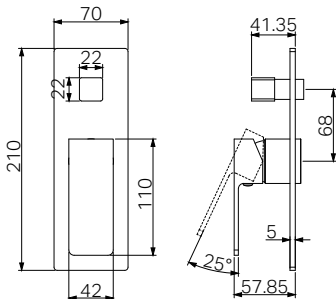


Lead Free



Version : 202508

Drawing



Specifications

Watermark License

WM-060073

Temperature Rating

Min 1 °C - Max 75 °C

Pressure Rating

Min 150kpa - Max 500kpa

Finish & SKU

 **Chrome**
NR301511atCH

 **Brushed Nickel**
NR301511atBN

 **Matte Black**
NR301511atMB

Package Includes

- 1x Plate
- 1x Handle
- 1x Diverter Knob
- 1x Diverter Sleeve
- 1x Cartridge Bell
- 1x Dressing Ring
- 1x Installation Kits

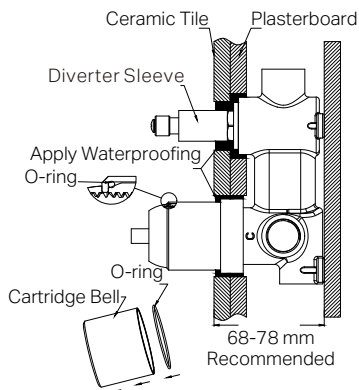
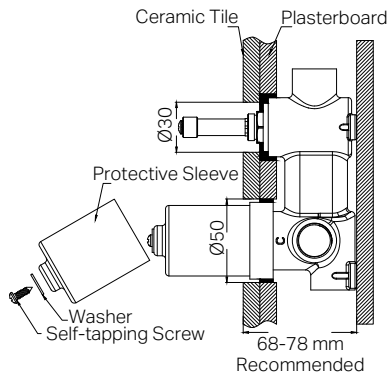
*Dimensions are nominal measurements only.

INSTALLATION INSTRUCTIONS

GENERAL INSTRUCTIONS:

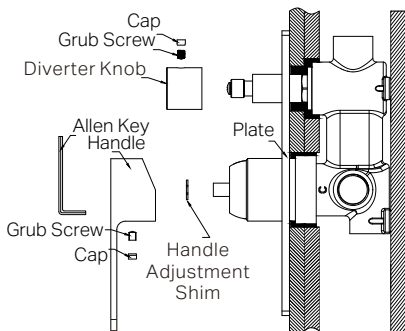
- This product must be installed by a licensed plumber. Ensure that your plumbing installation complies with the Australian/New Zealand Standard AS/NZS 3500.
- All pipework must be thoroughly flushed prior to the installation of the mixer. In-line filters must be fitted on both hot and cold supplies to prevent foreign particles from damaging the ceramic cartridge.
- All outlets used primarily for personal hygiene must deliver water at a safe temperature in accordance with regional regulations.

INSTALLATION STEPS FOR TRIM KITS



1. Drill a $\text{Ø}50\text{mm}$ and a $\text{Ø}30\text{mm}$ hole in the ceramic tile, then position it as shown in the diagram above.
2. Undo the self-tapping screw to remove the protective sleeve.

3. Insert the O-ring to the cartridge bell groove, and slide the cartridge bell onto cartridge and slide diverter sleeve onto diverter cartridge.
4. Apply waterproofing treatment to the area indicated in the diagram above.
5. Thread the dressing cap on the cartridge bell.



6. Install the back plate against the wall. Fit the handle adjustment shim onto the cartridge stem, attach the handle using a grub screw, and cover the grub screw hole with the cap.
7. Attach the diverter knob to diverter cartridge, tighten it with grub screw using Allen key, and cap the grub screw hole.

FINAL INSPECTION:

- Ensure the tap operates smoothly and that there are no leaks at the connections.
- Clean the area and the newly installed tap with a soft cloth to remove any installation residues.

MAINTENANCE AND CARE:

- Regularly check the mixer and connections for signs of wear or leaks.
- Clean the tap with mild soapy water to maintain its appearance, avoiding harsh chemicals and abrasive materials that may damage the finish.

Nero

