

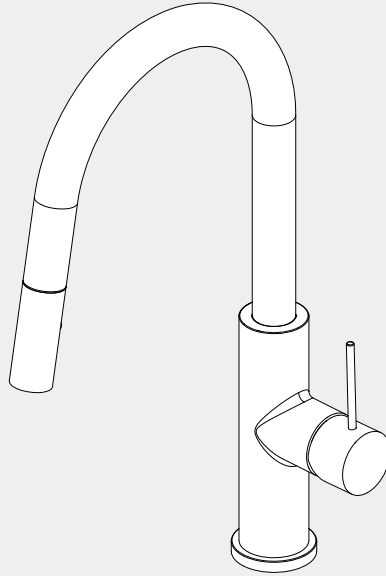
Mecca

Smart Sensor Pull Out Kitchen Mixer

Nero

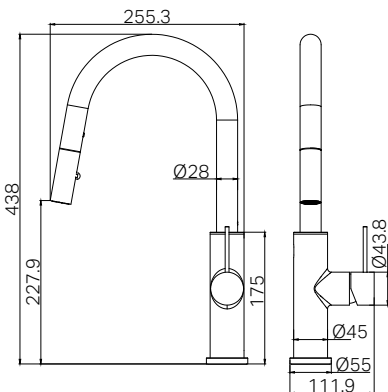


Lead Free



Version:202512








Drawing



Specifications

Watermark License
WM-060073
Temperature Rating
Min 1 °C - Max 75 °C
Pressure Rating
Min 150kpa - Max 500kpa

Finish & SKU

- | | | |
|--|--|---|
|  Brushed Bronze
NR221908aBZ |  Matte Black
NR221908aMB |  Chrome
NR221908aCH |
|  Brushed Gold
NR221908aBG |  Brushed Nickel
NR221908aBN |  Gun Metal
NR221908aGM |
|  Matte White
NR221908aMW | | |

*Dimensions are nominal measurements only.

Packaging Includes

- 1x Pull Out Sink Mixer Body
- 1x Base Ring
- 1x Counter Weight
- 1x Stabilizer
- 1x Installation Kit

INSTALLATION INSTRUCTIONS

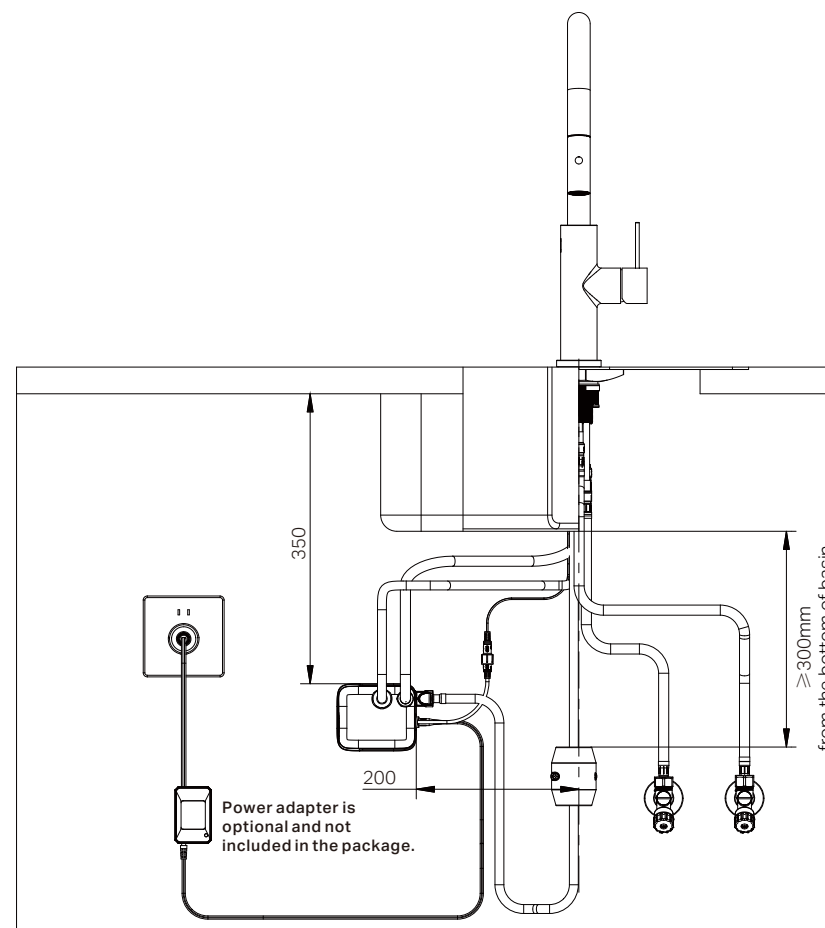
GENERAL INSTRUCTIONS:

- This product must be installed by a licensed plumber in accordance with local regulations and plumbing codes.
- Before installation, the water supply lines must be flushed thoroughly to remove debris such as sand, wood shavings, or metal particles that could damage internal components or block the filters.
- The ambient temperature must remain above 0°C during installation and operation. In colder conditions, appropriate anti-freeze precautions must be taken to prevent damage, as frozen hoses may rupture and cause leaks or water damage.
- Four high-quality AA alkaline batteries (LR06) are required, preferably from the same brand and batch. Batteries must not be mixed between old and new, and the polarity should always be correctly observed.
- Alternatively, the product may be powered using a certified AC adapter with an input of 100–240V and output of 6V 1000mA.
- Before performing any installation or maintenance on the solenoid unit, the power supply, whether battery or AC must be disconnected. When using the AC adapter, ensure it is plugged into a stable and protected power source.

SPECIFICATIONS

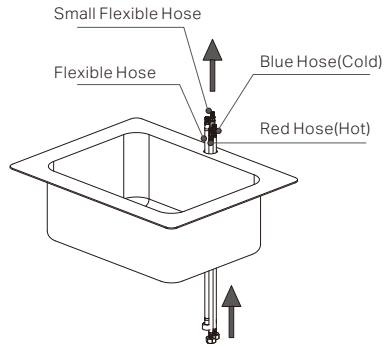
Product Name	Mecca Smart Sensor Pull Out Kitchen Mixer
Power Supply	DC: 4 AA alkaline batteries(LR06x4) AC: 100~240V/6V-1000mA Power Adapter(Optional, SKU: NRPA407)
Operating Water Pressure	150 kPa - 500 kPa
Water Temperature	≤ 75°C
Sensor Range	8 cm ± 10% (tested on whiteboard)
Activation Time	ON ≤ 1s / OFF ≤ 1.5s
Auto Shut-Off	30 ± 10% seconds
Inlet Size	G1/2 (DN15)

INSTALLATION OVERVIEW

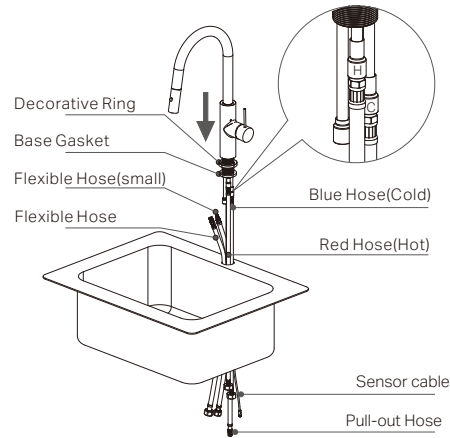


INSTALL THE MIXER

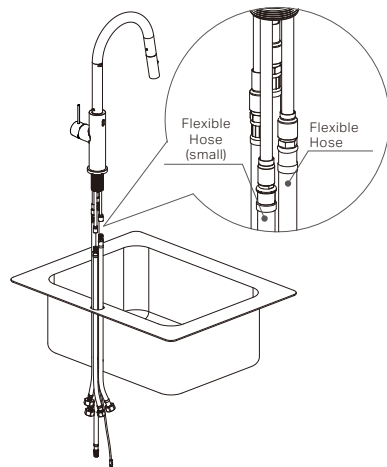
1. Pre-drill or create one hole with a diameter of 35mm at the proper location, insert all 4 braided hoses through the mounting hole on the benchtop. Please note that the thickness of the surface should be between 3-40mm.



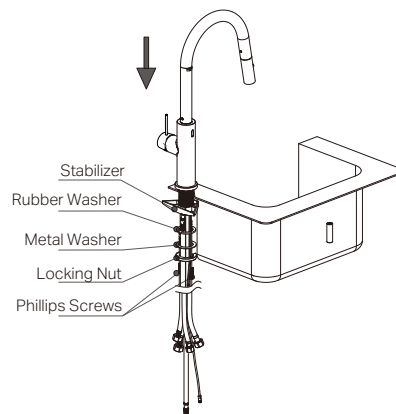
2. Slide the decorative ring and base gasket onto the M34 threaded pipe. Insert pull-out hose and sensor cable through the mounting hole. Connect red/blue hoses to "H"/"C" inlets respectively.



3. Connect the small flexible hose to the smaller port, and the remaining hose to the other port.

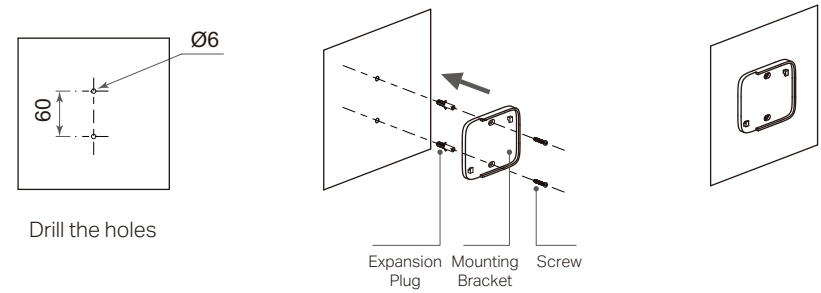


4. Insert stabilizer, rubber washer, metal washer, and locking nut into the threaded pipe of the mixer from the underneath of the basin, and tighten the locking nut with Phillips screws to secure the mixer.

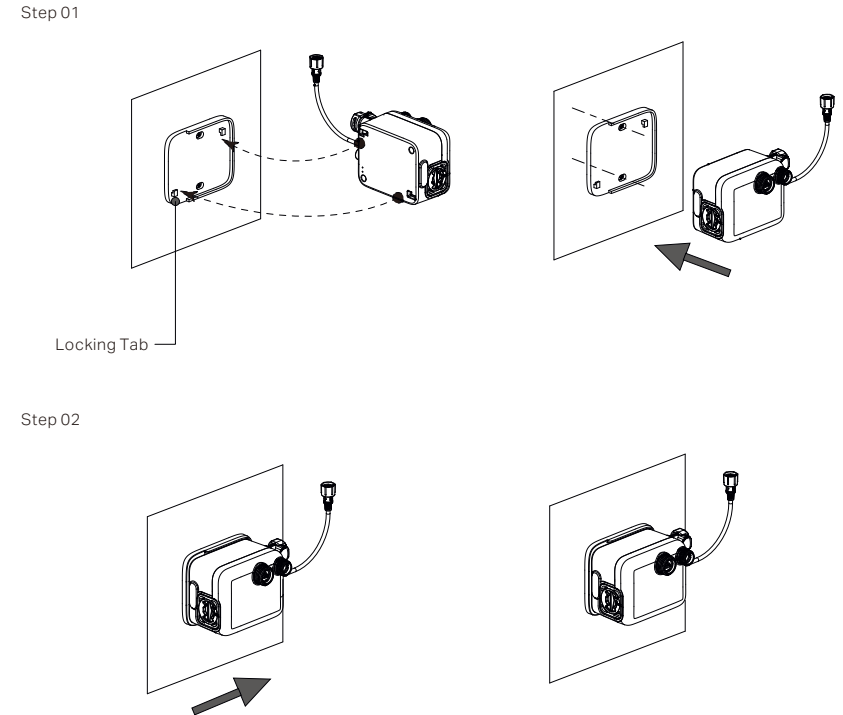


INSTALL THE SOLENOID

1. Drill 2 holes on the wall (Ø6mm, 60mm apart). Insert expansion plugs, fix mounting bracket to wall with screws.



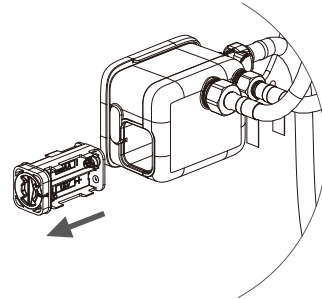
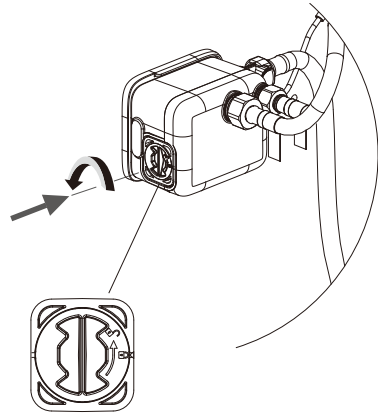
2. As shown in the diagram, clip the solenoid into the mounting bracket and ensure it is securely installed.



INSTALL THE BATTERIES

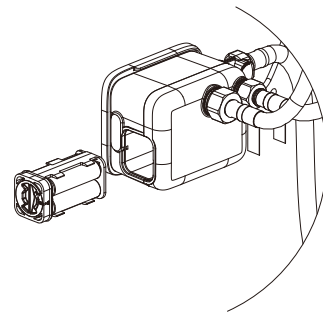
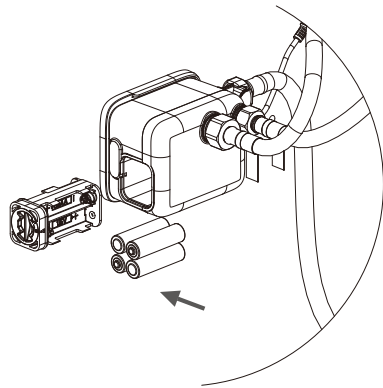
1. On the left side of the solenoid, press the battery holder and rotate knob counter-clockwise to eject.

2. The battery holder ejected.

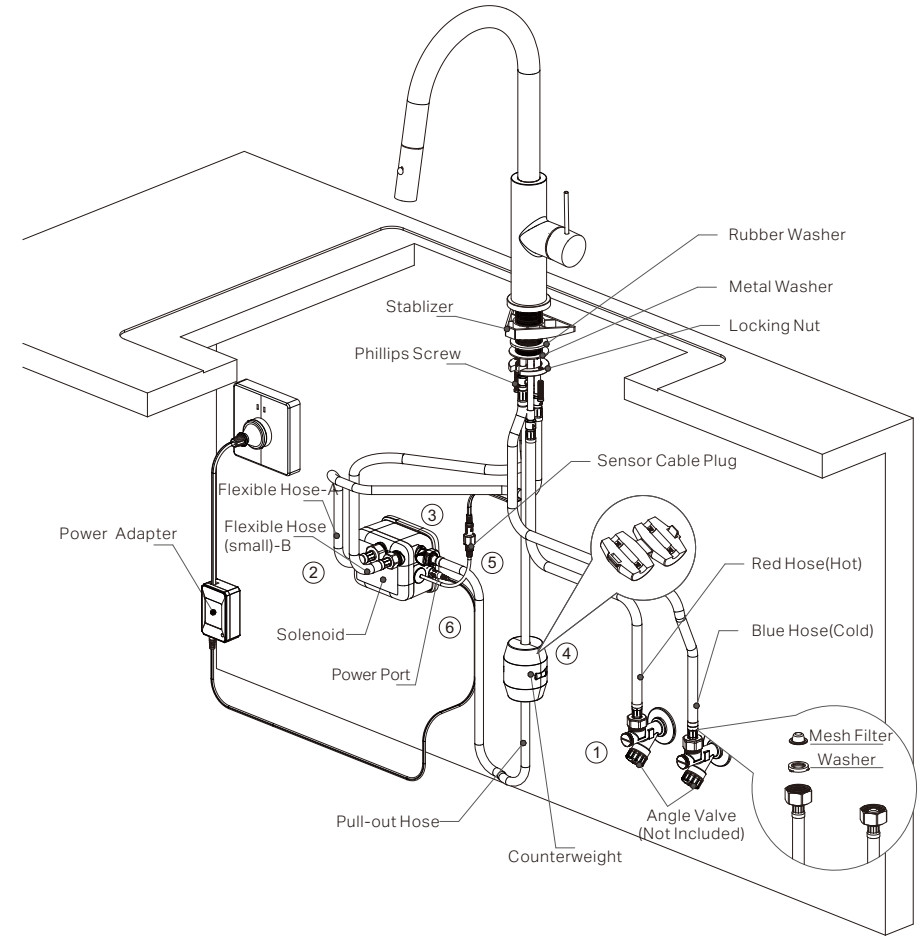


3. Insert the batteries into the battery holder, making sure the orientation matches the diagram.

4. Reinsert the battery holder into the box until it clicks into place.



Wiring



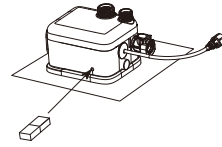
1. Clip the mesh filters into the washers, then insert them into the nuts of red/blue hoses (Ensure the orientation of the mesh filters and washers match the diagram). Connect hoses to the respective hot/cold angle valves and tighten.
2. Connect flexible hose and small flexible hose to G1/2 and G3/8 inlet ports on solenoid respectively and tighten them securely.
3. Connect pull-out hose to quick-connect port on solenoid.
4. Attach the counterweight to the pull-out hose.
5. Connect sensor cable to the plug of solenoid (ensure the arrows are aligned), tighten the nut on the plug to secure the connection.
6. Connect the power adapter to the solenoid power port.

INSTRUCTIONS FOR USE

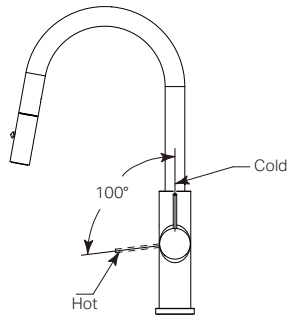
ADJUST THE SENSOR RANGE

1. Bring the magnet close to the sensor indicator light.
2. When the light blinks rapidly, hold your hand at the desired sensing range.
3. When the blinking stops, the new range is set.

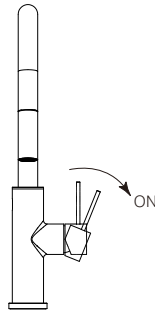
Note: The magnet is not included in the package.



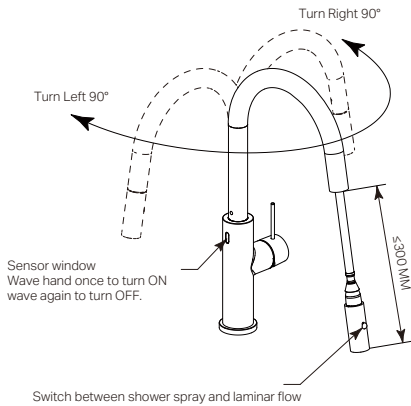
FUNCTION INTRODUCTION



Rotate handle left/right to adjust water temperature.



Lift or lower the handle to turn water ON/OFF.



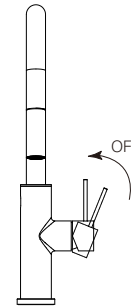
- Pull-out spray head extends $\leq 30\text{cm}$ for flexible cleaning.
- Swivel neck rotates 180° , 90° left and right.
- Sensor Activation:
When handle is OFF, wave once to turn ON, wave again to turn OFF.
Water auto shuts off after 30 seconds if no further motion is detected.

MAINTENANCE AND CARE

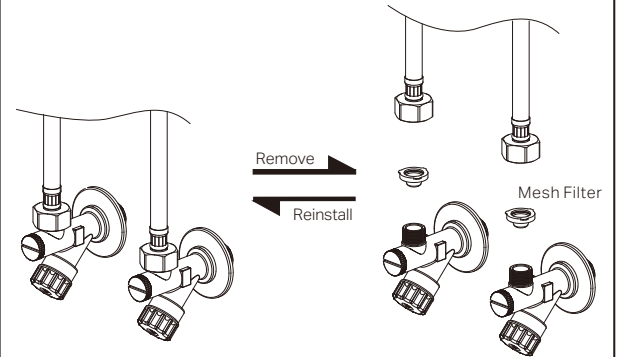
- Wipe the sensor window with a soft cloth if it is not working properly.
- Replace the batteries if needed (If the red light blinks in the sensor window)
- Use a soft, damp cloth to clean the tap. Do not use harsh or corrosive detergents.
- Clean filter every 6 months or when water flow slows.

STEPS TO CLEAN THE FILTER

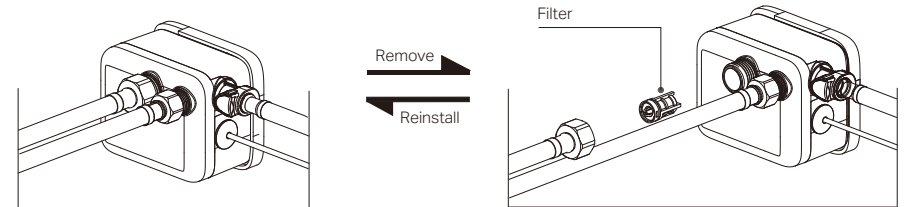
1. Turn off the mixer handle.



2. Turn off the angle valves. Unscrew red/blue braided hoses and remove filters. Clean with a brush and reinstall.



3. For G1/2 braided hoses, remove, clean the filter, reinstall and tighten.



TROUBLESHOOTING

ISSUES	OBSERVED SYMPTOMS	POSSIBLE CAUSE	SUGGESTION
No water comes out when activated	The sensor doesn't light up	Batteries installed the wrong way	Double-check the battery direction and make sure the battery compartment is assembled correctly.
		Loose or incorrect cable connections	Reconnect all cables properly — including transformer, battery pack, sensor, solenoid.
		No power supply(AC mode)	Make sure the power outlet is working.
		Cables damaged	Check and reconnect the cables or contact Nero support.
		Sensor not detecting	Ensure your hand is within the sensor range(5-15cm), or adjust the sensor distance.
	The sensor light works	Water supply is off	Check that the isolation valve (mini stoppers) is fully open and water is available.
		Solenoid not working	Test the solenoid and check the cable connections
		Blocked filter	Take out the filter and clean or replace it if needed.
		Lighting or reflective surface interference	Adjust sensor distance or lighting if possible.
		Solenoid blocked	Clean the solenoid port.
Sensor light is flashing	Low battery	Replace all 4 AA batteries.	
Water keeps flowing after use		Detection range not suitable	Reset or adjust the sensing distance.
Weak or slow shut off		Solenoid dirty	Clean the solenoid valve area.
		Low water pressure	Check household plumbing or consult a licensed plumber.
Sensor turns on/off randomly		Sensor picks up too far	Adjust the sensor distance to match your installation.
		Nearby reflections or bright lights	Avoid mirrors or shiny objects near the sensor and keep it away from direct light.

Nero



Warranty Policy