

nVent ERICO Telecom Flange Clamp



CONNECT AND PROTECT

The nVent ERICO Telecom Flange Clamp is designed to provide a grounding connection point to: 1) curved flanges that may exist on steel monopole telecommunication towers and 2) straight flanges that exist on towers constructed from angled steel. The clamp is an integral part of the tower grounding system used to ground & bond antennas, nVent ERICO Tower Mounted Ground Bars, and telecommunication equipment to the tower.



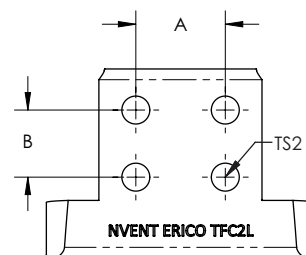
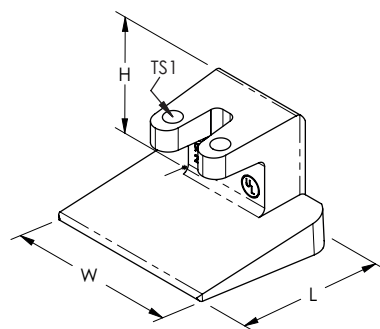
FEATURES

- Accommodates (2) 2-hole lugs
- Tinned copper cast and stainless steel hardware to mitigate corrosion
- Works on flat and curved flanges
- cULus® Listed
- Works with nVent ERICO Tower Mounted Ground Bar (ETMAGSDBT), and as a standalone clamp
- Lightweight
- Quick and easy installation
- No special tools required

Finish: Tinned
Material: Brass; Stainless Steel 304 (EN 1.4301)



Part Number	A	B	Length L	Width W	Height H	Flange Thickness FT	Flange Width	Thread Size 1 TS1	Thread Size 2 TS2	Wire Size
TFC2L	1"	1"	2.8"	3"	2.14"	1/8" – 7/8"	6" Max	5/16 UNC	5/16 UNF	#2



PROUDLY DISTRIBUTED BY



Web www.gvk.com.au
Email sales@gvk.com.au
Phone 03 9312 6633
Fax 03 9312 6433



Our powerful portfolio of brands:

CADDY ERICO HOFFMAN RAYCHEM SCHROFF TRACER