

Quick Reference Guide

KRONE Fuse Switch Disconnects and Outdoor Connectors

PROUDLY DISTRIBUTED BY

GVKinsman
ELECTRICAL DISTRIBUTOR PTY LTD

Web www.gvk.com.au
Email sales@gvk.com.au
Phone 03 9312 6633
Fax 03 9312 6433

Contents

KGH Series Fuse Switch Disconnectors

3

- KGH160** Fuse Switch Disconnectors 160A
- KGH250** Fuse Switch Disconnectors 250A
- KGH400** Fuse Switch Disconnectors 400A

3

5

7

N-BLOCK

9

- N-BLOCK** Outdoor Connector

9

KGH160

Features

- Fully Insulated
- On-load switching capability
- Corrosion proof
- Suits standard hook-stick
- Integral mounting bracket for bolting or strapping

The KRONE KGH160 Switch

The upper housing, with integral mounting bracket, holds the conductor, terminals and fuse contacts.

The lower housing is hinged for easy opening and closing. It houses the size 00 fuse links (to IEC 269) or connecting links.

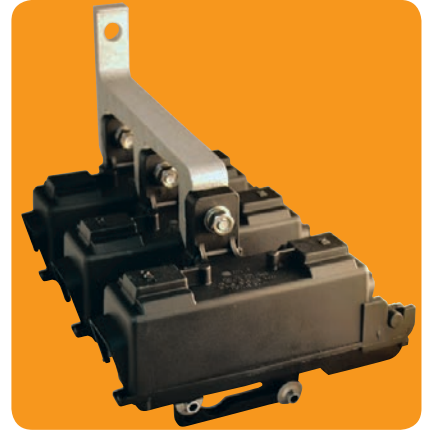
Cable Termination

The KGH160 is available with -

- Pillar type terminals for stripped copper and aluminium compacted cables ranging from 16- 95mm²



*Pillar
Type
Terminal*



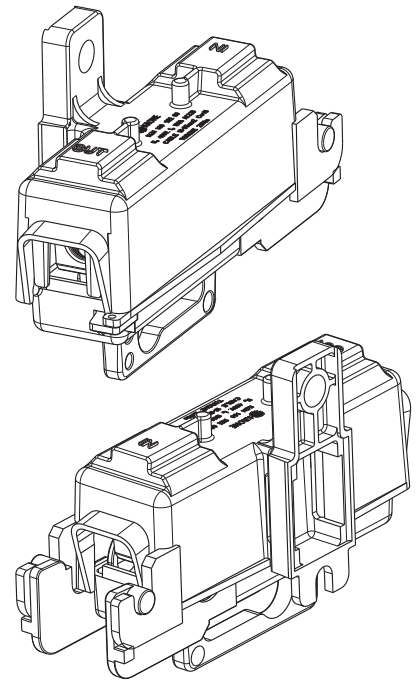
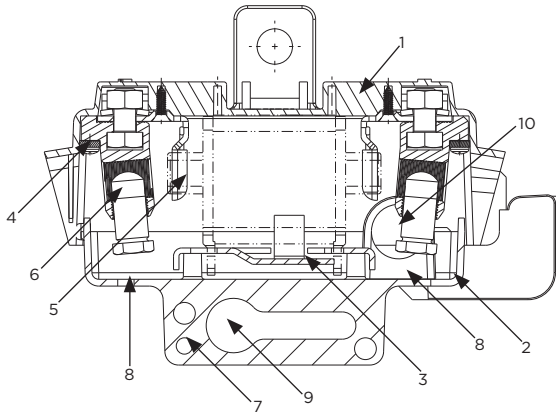
| PART NO. | DESCRIPTION | No of Poles | Ganged Switching | Pillar |
|----------|--------------------------------|-------------|------------------|---|
| | | | | Ni plated for 1x16-95mm ² Al & Cu compacted cables |
| KGH160 | FUSE DISCONNECT SWITCH 160 AMP | 3 | yes | in/out |

PROUDLY DISTRIBUTED BY



Web www.gvk.com.au
 Email sales@gvk.com.au
 Phone 03 9312 6633
 Fax 03 9312 6433

Cross Section KGH160



- 1. Upper housing
- 2. Hinged removable lower housing
- 3. Fuse-link retaining clip
- 4. Nickel plated pillar terminal
- 5. Nickel plated copper alloy contact
- 6. Stainless steel terminating screw
- 7. Rod actuating pin (optional)
- 8. Voltage test points
- 9. Hook stick position for opening/closing
- 10. Hook stick position for removal/replacement of cover

Technical Data

In accordance with tests and requirements to IEC 947-3

| | |
|---|-------|
| Rated operational voltage, U_e | 480V |
| Rated insulation voltage, U_i | 1000V |
| Rated frequency | 50Hz |
| Rated operational current, I_e | |
| - with connecting links | 250A |
| - with fuse links | 160A |
| Utilisation category | AC22B |
| Rated conditional short-circuit current with fuse links | 50kA |
| Infrequent operation with current | 200 |
| Infrequent operation without current | 1400 |
| Degree of protection | IP2L4 |
| Mass (without fuse) | 370g |

KGH250

250A

Features

- Extremely compact
- One or three-pole units
- On-load switching capability
- Corrosion proof
- Fully insulated
- Suits standard hook-stick
- Individual, hinged terminal covers for maximum safety

The KRONE KGH250 Switch

The upper housing holds the conductor, terminals and contacts. The lower housing is hinged for easy opening and closing. It houses the mounting for size 1-2 fuses, links or short circuiting facilities. Switch is supplied with mounting bracket.

Cable Termination

The KGH250 is available with -

- Pillar type terminals for stripped copper and aluminium compacted cables ranging from 25-185mm².



Pillar Type Terminal

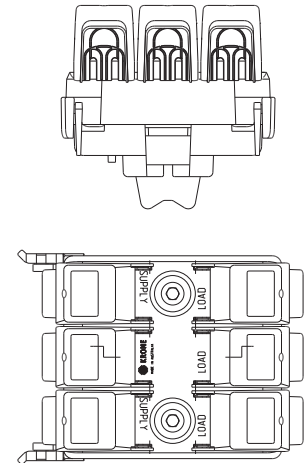
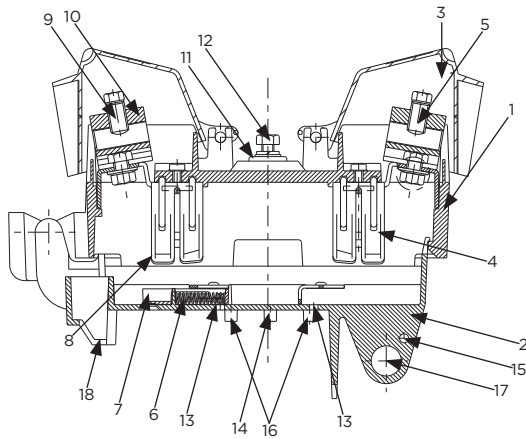
| PART NO. | DESCRIPTION | No of Poles | Ganged Switching | Pillar |
|----------|--------------------------------|-------------|------------------|--|
| | | | | Ni plated for 2x25 - 185mm ² Al & Cu compacted cables |
| KGH250 | FUSE DISCONNECT SWITCH 250 AMP | 3 | yes | in/out |

PROUDLY DISTRIBUTED BY



Web www.gvk.com.au
 Email sales@gvk.com.au
 Phone 03 9312 6633
 Fax 03 9312 6433

Cross Section KGH250



- | | |
|---|--|
| 1. Upper housing | 10. Aluminium pillar terminal |
| 2. Hinged removable lower housing | 11. Switch mounting bracket |
| 3. Hinged terminal cover | 12. Switch mounting screw |
| 4. Arc chute | 13. Voltage test points |
| 5. Stainless steel 12mm bolted lug type terminal (option) | 14. Neon indicator (option) |
| 6. Fuse-link retaining clip | 15. Rod actuating pin (optional) |
| 7. Yellow indicator fuse-link/connecting-link installed | 16. Connecting-link storage position (option) |
| 8. Nickel plated copper alloy contact | 17. Hook stick position for opening/closing |
| 9. 13 A/F hexagon head terminating screw | 18. Hook stick position for removal/replacement of cover |

Technical Data

In accordance with tests and requirements to IEC 947-3 and AS2847-3

| | |
|---|---------|
| Rated operational voltage, Ue | 450V |
| Rated insulation voltage, Ui | 1000V |
| Rated frequency | 50-60Hz |
| Rated impulse withstand voltage, Uimp | 16kV |
| Rated operational current, Ie | |
| - with fuse links | 250A |
| - with connecting-links | 250A |
| Rated make-break current at 0.65pg | 375A |
| Rated short-time withstand current Icw for one second | |
| - with connecting links | 25kA |
| Rated short-circuit making capacity Icm | |
| - with connecting links | 10kA |
| Rated conditional short-circuit current | |
| - with fuse-links | 50kA |
| Utilisation category | AC 22 B |
| Infrequent operation with current | 200 |
| Infrequent operation without current | 1400 |
| Degree of protection | IP2L4 |
| Mass (without fuse) | 6.2kg |

KGH400

Features

- Extremely compact
- One or three-pole units
- On-load switching capability
- Corrosion proof
- Fully insulated
- Suits standard hook-stick
- Individual, hinged terminal covers for maximum safety

The KRONE KGH400 Switch

The upper housing holds the conductor, terminals and contacts.

The lower housing is hinged for easy opening and closing.

It houses the mounting for size 1-2 fuses, links or short circuiting facilities.

Switches are available in triple pole versions.

The triple pole switch is supplied with mounting bracket.

Cable Termination

The KGH400 is available with -

- Pillar type terminals for stripped copper and aluminium compacted cables ranging from 25-185mm².



Pillar Type Terminal



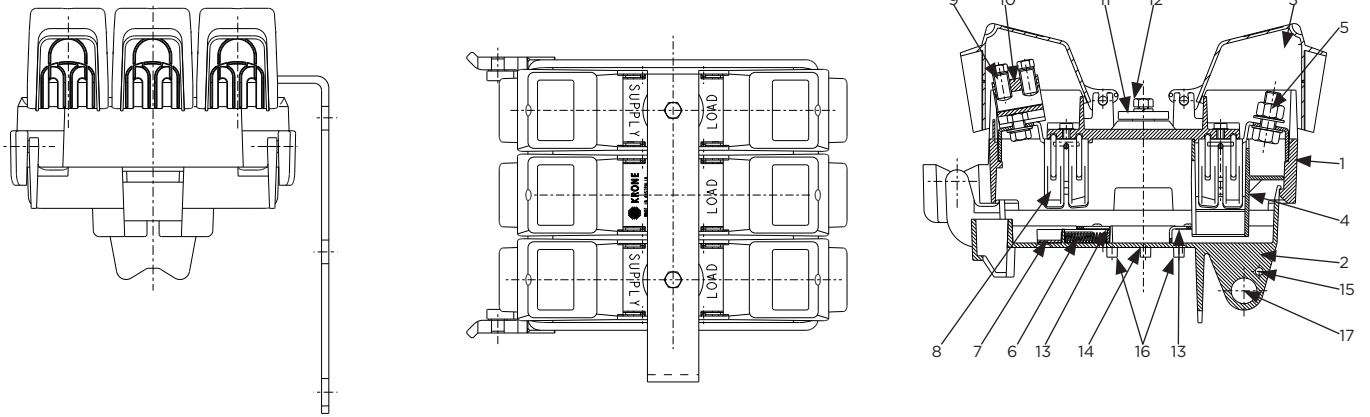
| PART NO. | DESCRIPTION | No of Poles | Ganged Switching | Pillar |
|----------|--------------------------------|-------------|------------------|--|
| | | | | Ni plated for 2x25 - 185mm ² Al & Cu compacted cables |
| KGH400 | FUSE DISCONNECT SWITCH 400 AMP | 3 | yes | in/out |

PROUDLY DISTRIBUTED BY

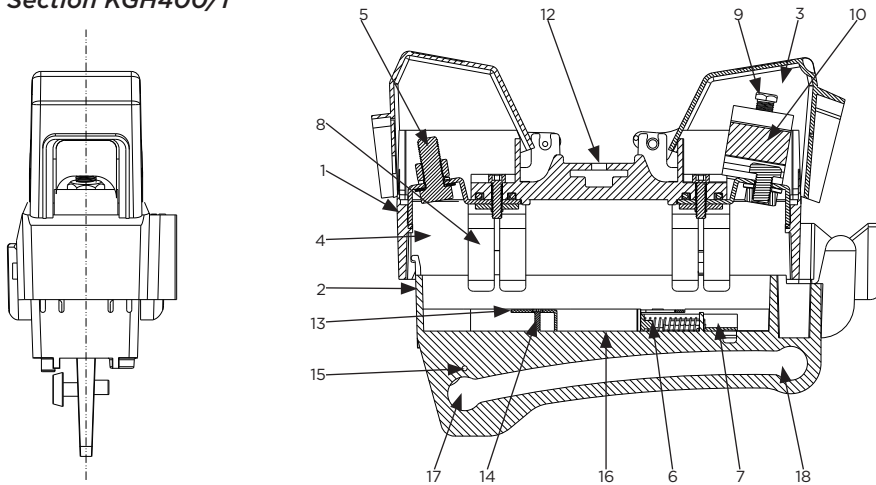


Web www.gvk.com.au
 Email sales@gvk.com.au
 Phone 03 9312 6633
 Fax 03 9312 6433

Cross Section KGH400



Cross Section KGH400/1



- 1. Upper housing
- 2. Hinged removable lower housing
- 3. Hinged terminal cover
- 4. Arc chute
- 5. Stainless steel 12mm bolted lug type terminal (option)
- 6. Fuse-link retaining clip
- 7. Yellow indicator fuse-link/ connecting-link installed
- 8. Nickel plated copper alloy contact
- 11. Switch mounting bracket
- 12. Switch mounting screw
- 13. Voltage test points
- 14. Neon indicator (option)
- 15. Rod actuating pin (optional)
- 16. Connecting-link storage position (option)
- 17. Hook stick position for opening/ closing
- 18. Hook stick position for removal/ replacement of cover

Technical Data

In accordance with tests and requirements to IEC 947-3 and AS2847-3

| | KGH400 | |
|---|---------|--|
| Rated operational voltage, Ue | 450V | |
| Rated insulation voltage, Ui | 1000V | |
| Rated frequency | 50-60Hz | |
| Rated impulse withstand voltage, Uimp | 16kV | |
| Rated operational current, Ie | | |
| - with fuse links | 400A | |
| - with connecting-links | 630A | |
| Rated make-break current at 0.65pg | 945A | |
| Rated short-time withstand current 1cw for one second | | |
| - with connecting links | 25kA | |
| Rated short-circuit making capacity 1cm | | |
| - with connecting links | 10kA | |
| Rated conditional short-circuit current | | |
| - with fuse-links | 50kA | |
| Utilisation category | AC 22 B | |
| Infrequent operation with current | 200 | |
| Infrequent operation without current | 1400 | |
| Degree of protection | IP2L4 | |
| Mass (without fuse) | 6.5kg | |

N-BLOCK

12kV

Features

- Re-usable connector
- Fully insulated
- IP24 protection
- UV resistant polyimide housing
- Corrosion proof
- Flexible easy mounting
- Test access
- Multiple cable connections
- Accepts cable 25-185mm² aluminium or copper

The **KRONE Type N-BLOCK** is an outdoor low voltage cable connector designed for use with KRONE's range of low voltage fuse switch disconnectors. The N-BLOCK solves the problem of how to connect neutral cables and, at the same time, giving easy voltage test point access.

Mounting

The N-BLOCK may be free hanging or secured to a mounting bracket (widths 40 and 24mm) using the cable tie provided.

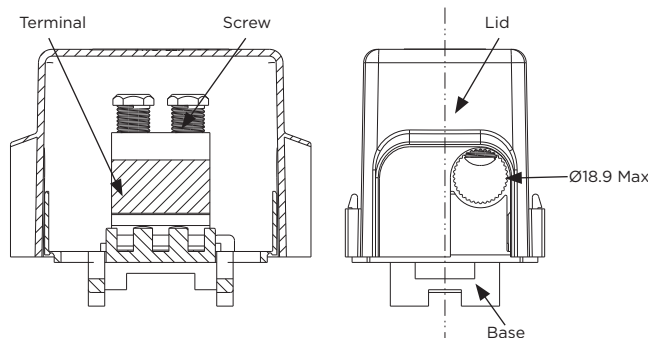
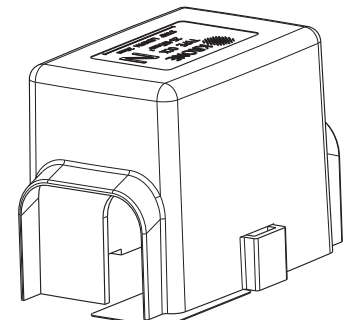
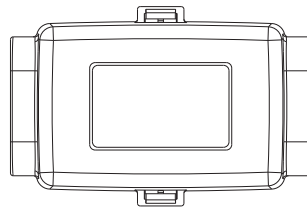
Benefits

- Neutral cable connections
- Phase cable connections
- Access point for testing
- Connection point for earth leads
- Connection for different cable sizes

Materials

Base/Lid: Polyamide (UV stabilised) black

Pillar Terminal: Aluminium alloy



| PART NO. | DESCRIPTION | Pillar |
|----------|--|---|
| | | for 25 - 185mm ² Al/Cu 2 cables in / 2 cables out |
| N-BLOCK | OUTDOOR CONNECTOR 2X25-185MMSQ TUNNEL - NEUTRAL LINK | |

Technical Data

| | |
|---------------------------------------|-------|
| Rated operational voltage, Ue | 450V |
| Rated insulation voltage, Ui | 1000V |
| Rated impulse withstand voltage, Uimp | 12kV |
| Degree of protection | IP24 |

PROUDLY DISTRIBUTED BY

GKinsman
ELECTRICAL DISTRIBUTOR PTY LTD

Web www.gvk.com.au
Email sales@gvk.com.au
Phone 03 9312 6633
Fax 03 9312 6433



YOUR PARTNER IN POWER

Cable Accessories & Earthing Specialists Since 1967



Australia Wide

National Logistics Capability



Training

Product Training In-house & On-site



Expert Solutions

On Hand Technical Team

A Purchasing Process That Suits You

GVK takes pride in selecting exceptional, service-focused team members who are passionate about our business, our products, and most importantly, serving you - our valued customer. Our purchasing process is tailored to suit your business needs, ensuring a seamless and efficient experience from quote, order placement and delivery.



In Store



Online



Phone or Fax



Email

*Disclaimer - The information provided in this document is general information only. It has been prepared without taking into account your objectives, personal situation or needs. Before acting on this information, you should consider the appropriateness of it and use your own judgement to evaluate the suitability of a product for a certain purpose, having regard to your own objectives, personal situation and needs. You should consult a professional where appropriate.

To the extent permitted by law, GVK disclaims any and all guarantees, undertakings and warranties, expressed or implied, and is not liable for any loss or damage whatsoever (including human or computer error, negligent or otherwise, or incidental or consequential loss or damage) arising out of, or in connection with, any use or reliance on the information in this document.

While every attempt has been made to ensure the information in this document is free of errors, GVK does not make any representation, warranty or guarantee that the information is accurate, correct, reliable or current. GVK expressly disclaims all implied warranties regarding the information contained herein, including, but not limited to, any implied warranties of merchantability or fitness for a particular purpose.

GVK reserves the right to make any adjustments to the information at any time without notice.