

GelPort Submersible Secondary Connectors for URD Distribution

Demand the Best

- Corrosion resistance
- No loose parts
due to one piece housing
- Gel-filled cable entry ports
provide a repeatable, reliable cable seal
- PowerGel sealant
seals out harsh environments.
- Rugged, impact-resistant housing
stands up to rough installations.



Hinged cap



Gel-filled ports



Submersible performance



Fast, reliable installation - every time

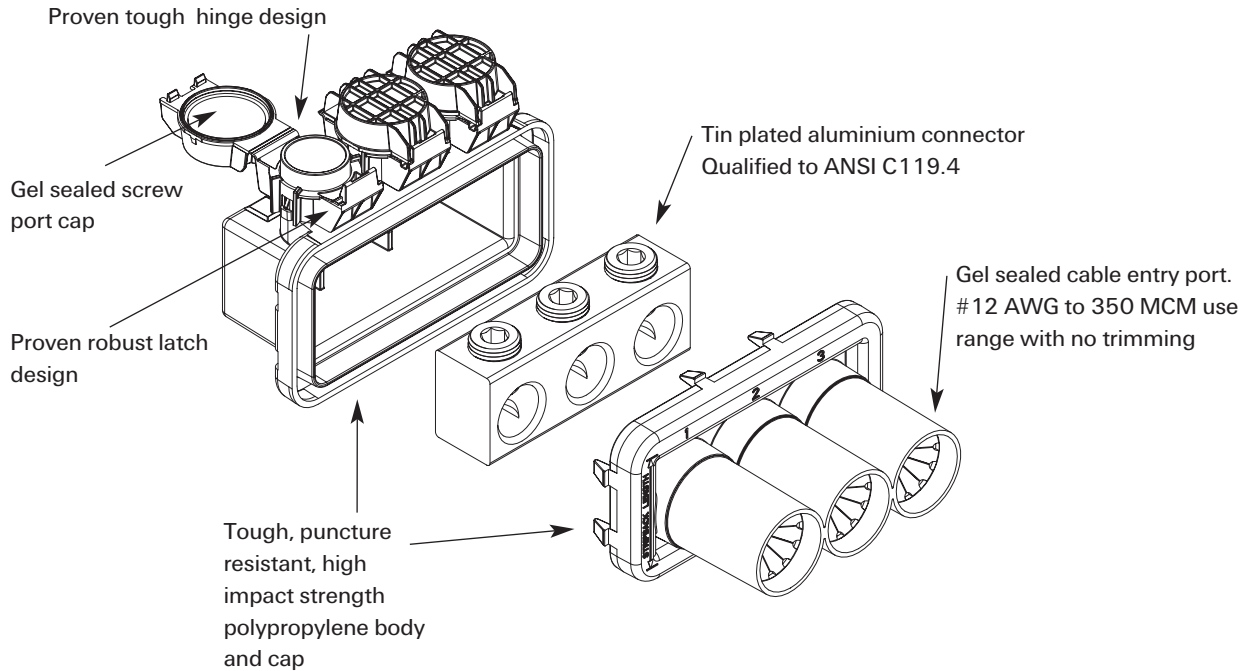
The GelPort connection system represents a revolutionary product for secondary connectors. Strip the cable and push it into the gel-filled cable port. The cable is encapsulated in gel and instantly sealed. It's that simple.

PowerGel Sealant gel

PowerGel sealant was specifically developed for the electrical power industry. It consists of a chemically cross

linked silicone elastomer swollen with a silicone oil. PowerGel sealant is hydrophobic and provides an excellent moisture seal over a wide operating temperature range (-40° C to 95° C). It is compatible with solid dielectric cable insulation and connector deoxidizing greases and has excellent insulation properties.

Catalog Number	Number of Wire ports	Conductor Use Range (mm ²)	Length	Width	Height
GPRT-350-3P	3	12-350 (4-150)	4.6 (117)	3.8 (97)	3.5 (89)
GPRT-350-4P	4	12-350 (4-150)	5.8 (149)	3.8 (97)	3.5 (89)
GPRT-350-5P	5	12-350 (4-150)	7.1 (180)	3.8 (97)	3.5 (89)
GPRT-350-6P	6	12-350 (4-150)	8.3 (212)	3.8 (97)	3.5 (89)
GPRT-350-8P	8	12-350 (4-150)	10.8 (276)	3.8 (97)	3.5 (89)



Testing	Test Condition
Assembled	
Gelport connector	ANSI C119.1, 2002
Connector	ANSI C119.4, 2003
Chemical Resistance	ASTM D543 to the following liquids: Sulfuric Acid, Sodium Sulfate, Sodium Chloride, Sodium Hydroxide, Ethylene Glycol
UV Resistance	ASTM G-53-95, ASTM-D-638-95
Amperage rating:	525 amps at 90 °C, to ANSI C119.1 - 2002 section 3.3

All of the above information, including drawings, illustrations and graphic designs, reflects our present understanding and is to the best of our knowledge and belief correct and reliable. Users, however, should independently evaluate the suitability of each product for the desired application. Under no circumstances does this constitute an assurance of any particular quality or performance. Such an assurance is only provided in the context of our product specifications or explicit contractual arrangements. Our liability for these products is set forth in our standard terms and conditions of sale. PowerGel, GelPort, ALR, AMP, AXICOM, B&H, Bowthorpe EMP, Dorman Smith, Dulmison, Hellstern, La Prairie, Morlynn, Raychem, and SIMEL are trademarks.



PROUDLY DISTRIBUTED BY



PTY LTD

Web www.gvk.com.au
 Email sales@gvk.com.au
 Phone 03 9312 6633
 Fax 03 9312 6433