



Energy Division

# GelPort

## Submersible Secondary Connectors for URD Distribution (1000 V)

### Demand the best

- Corrosion resistance
- No loose parts due to one piece housing
- Gel-filled cable entry ports provide a reliable cable seal
- PowerGel sealing gel seals out harsh environments
- Rugged, impact-resistant housing stands up to rough installations
- Clear view back allows for easy positive visual indication of wire position in connector

### PowerGel sealing gel

PowerGel sealing gel was specifically developed for the electrical power industry. It consists of a chemically cross-linked silicone elastomer with silicone oil. PowerGel sealing gel is hydrophobic and provides an excellent moisture seal over a wide operating temperature range (-40° C to 95° C). It is compatible with solid dielectric cable insulation and connector deoxidizing greases and has excellent insulation properties.



Hybrid 350/500 MCM

### Fast, reliable installation - every time

The GelPort connection system represents a revolutionary product for secondary connectors. Strip the cable and push it into the gel-filled cable port. The cable is encapsulated in gel and instantly sealed. It's that simple.

Catalog number	Clear view	Number of wire ports	Conductor use range (mm <sup>2</sup> )	Length inches (mm)	Width inches (mm)	Height inches (mm)
GPRT-350-3P	-C	3	14 - 350 (2 - 150)	4.60 (117)	3.825 (97)	3.50 (89)
GPRT-350-4P	-C	4	14 - 350 (2 - 150)	5.85 (149)	3.825 (97)	3.50 (89)
GPRT-350-5P	-C	5	14 - 350 (2 - 150)	7.10 (180)	3.825 (97)	3.50 (89)
GPRT-350-6P	-C	6	14 - 350 (2 - 150)	8.35 (212)	3.825 (97)	3.50 (89)
GPRT-350-8P	-C	8	14 - 350 (2 - 150)	10.85 (276)	3.825 (97)	3.50 (89)
GPRT-350/4P-500/1P	-C	5 Hybrid		7.10 (180)	3.825 (97)	3.50 (89)
		4	14 - 350 (2 - 150)			
		1	6 - 500 (16 - 250)			
GPRT-350/6P-500/2P	-C	8 Hybrid		10.85 (276)	3.825 (97)	3.50 (89)
		6	14 - 350 (2 - 150)			
		2	6 - 500 (16 - 250)			

Note: For clear view back, add "-C" to catalog number



Clear back



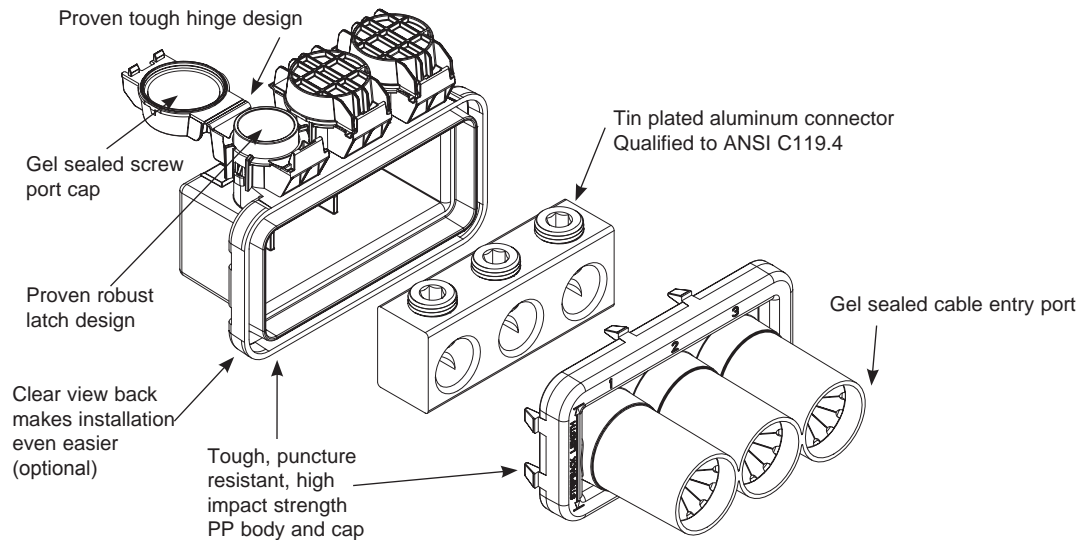
Hinged cap



Gel-filled ports



Submersible performance



PROUDLY DISTRIBUTED BY



Web [www.gvk.com.au](http://www.gvk.com.au)  
 Email [sales@gvk.com.au](mailto:sales@gvk.com.au)  
 Phone 03 9312 6633  
 Fax 03 9312 6433

#### Testing

Complete unit  
 Connector  
 Chemical Resistance

#### Test Condition

ANSI C119.1, 2002, Report: EDR-5379, EDR-5409, EDR-5427  
 ANSI C119.4, 2003, Report: 502-47264, 502-47302, 502-47308  
 ASTM D543 to the following liquids: Sulfuric Acid, Sodium Sulfate, Sodium Chloride, Sodium Hydroxide, Ethylene Glycol  
 UV Resistance ASTM G-53-95, ASTM-D-638-95

All of the above information, including drawings, illustrations and graphic designs, reflects our present understanding and is to the best of our knowledge and belief correct and reliable. Users, however, should independently evaluate the suitability of each product for the desired application. Under no circumstances does this constitute an assurance of any particular quality or performance. Such an assurance is only provided in the context of our product specifications or explicit contractual arrangements. Our liability for these products is set forth in our standard terms and conditions of sale. GelPort, PowerGel, TE logo, and Tyco Electronics are trademarks.

Energy Division - a pioneer in the development of economical solutions for the electrical power industry. Our product range includes: Cable accessories, connectors & fittings, electrical equipment, instruments, lighting controls, insulators & insulation enhancement and surge arresters.