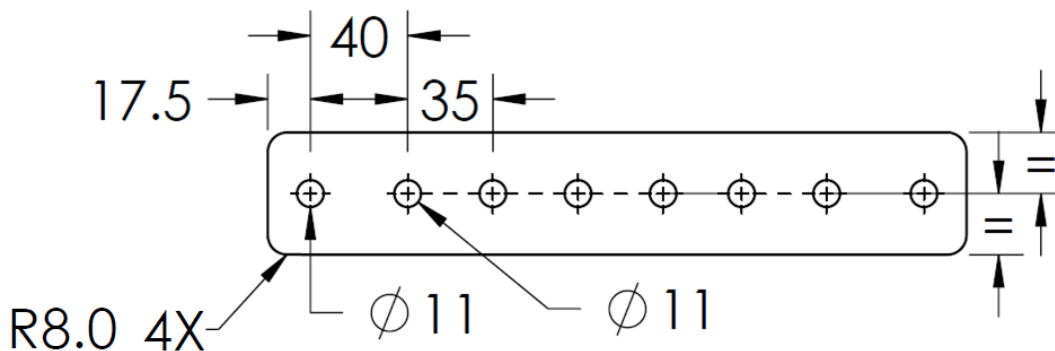


ELECTRICAL EARTH BARS for AUSTRALIA

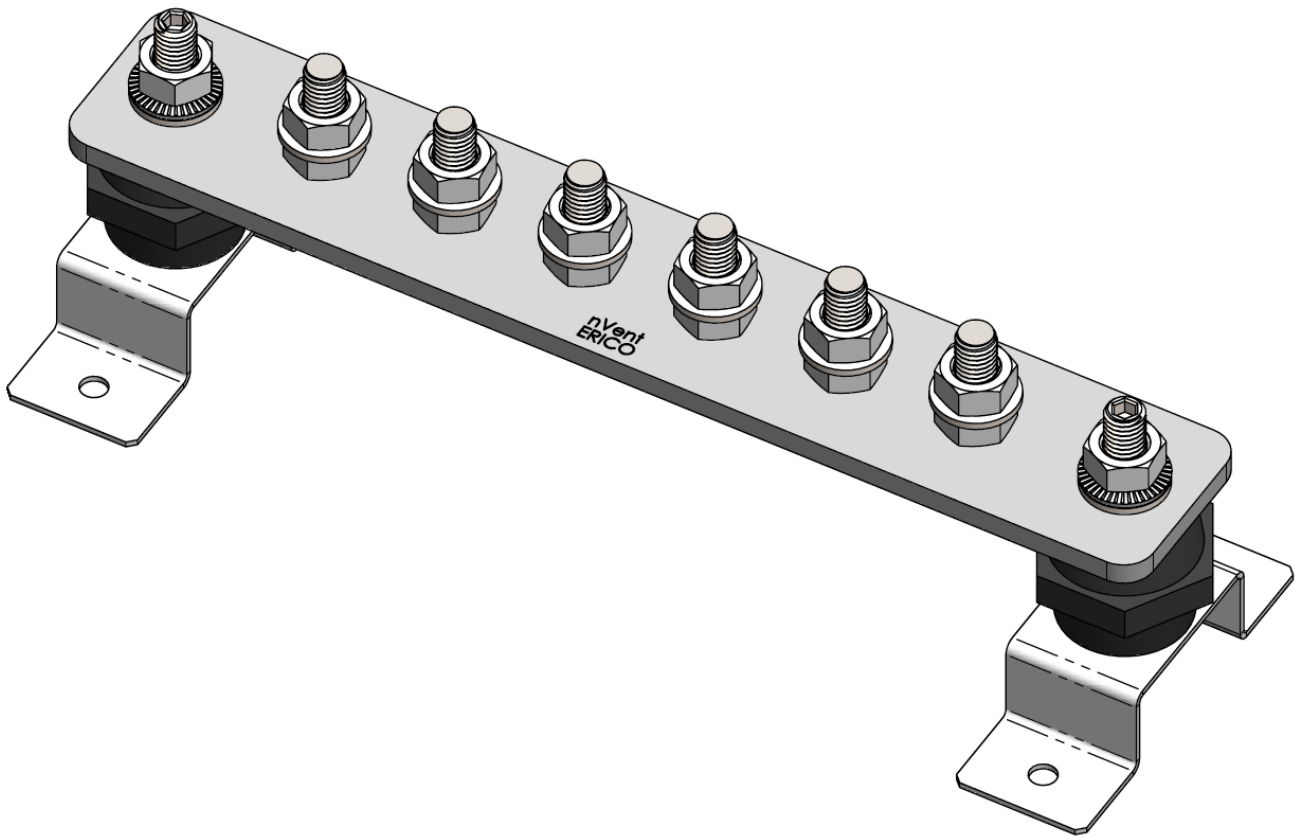
ERICO has standardized on a series of Compact Electrical Earth Bars suitable for the Australian market. These bars are fully tinned (after machining and hole punching), feature a compact 35 mm hole spacing to allow for maximum density of earth cable terminations, and come complete with stainless steel brackets and insulators, and stainless steel bolts, nuts, and washers in each hole. It's the complete solution, ready to go.

The bars are all 50 x 6 mm section.
 The foot of the mounting brackets has M6 holes

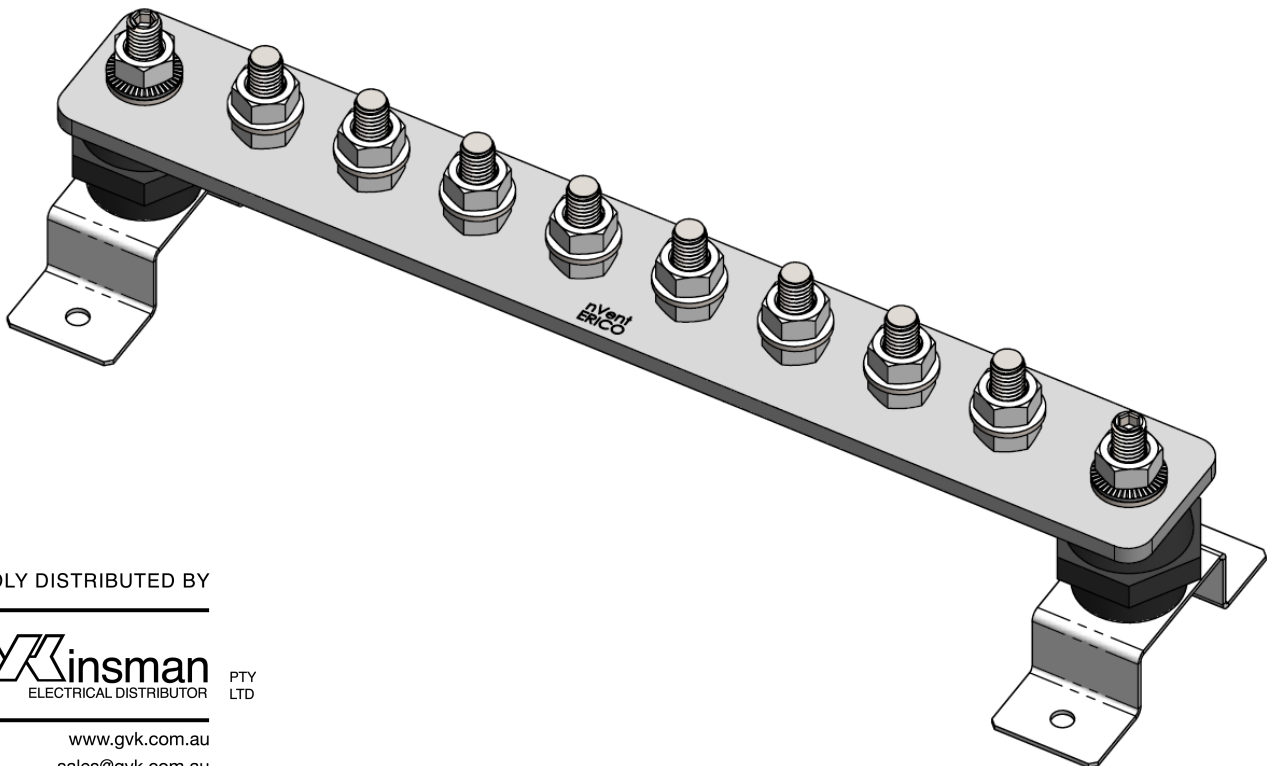
Compact Bars (35 mm hole spacing)			
Part Number	Length (L)	Hole Centers (A)	Number of Connections
EEB-06	290 mm	35 mm	6
EEB-08	360 mm	35 mm	8
EEB-10	430 mm	35 mm	10
EEB-12	500 mm	35 mm	12
EEB-14	570 mm	35 mm	14



EEB-06



EEB-08

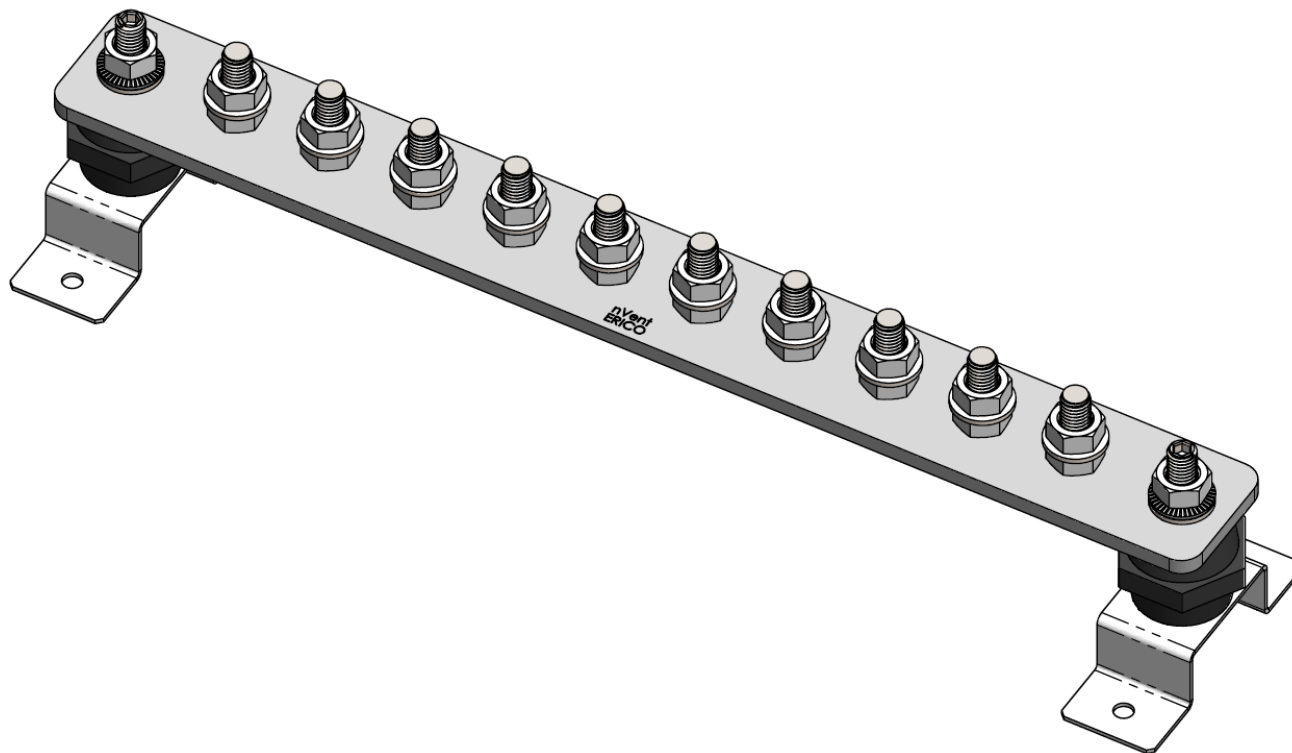


PROUDLY DISTRIBUTED BY

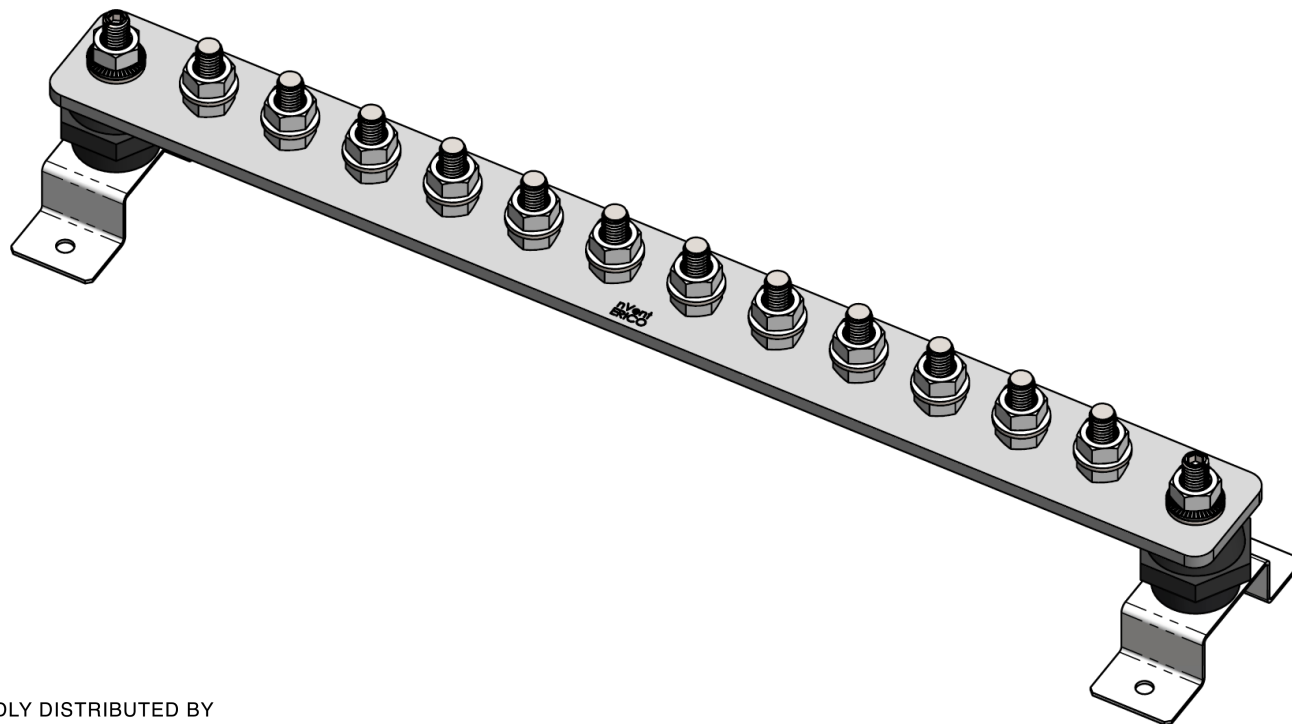
GVKinsman PTY
ELECTRICAL DISTRIBUTOR LTD

Web www.gvk.com.au
Email sales@gvk.com.au
Phone 03 9312 6633
Fax 03 9312 6433

EEB-10



EEB-12

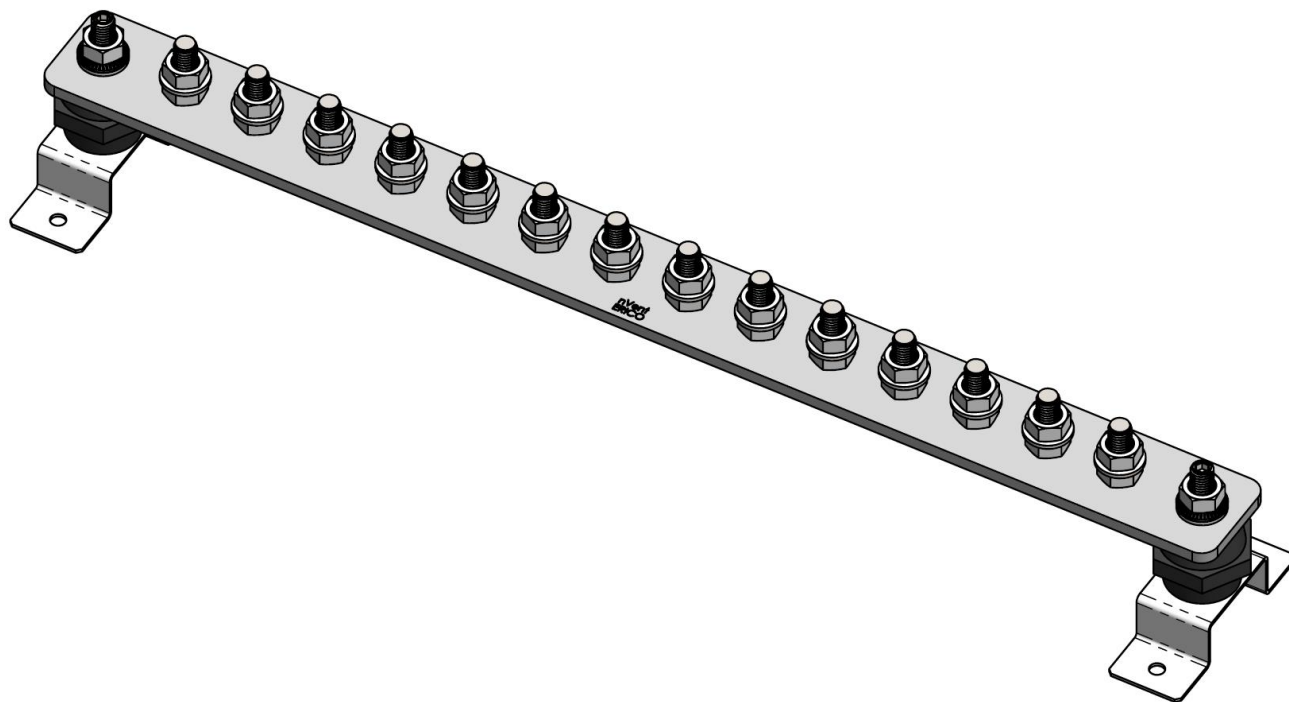


PROUDLY DISTRIBUTED BY

GVKinsman PTY
ELECTRICAL DISTRIBUTOR LTD

Web www.gvk.com.au
Email sales@gvk.com.au
Phone 03 9312 6633
Fax 03 9312 6433

EEB-14



PROUDLY DISTRIBUTED BY



Web www.gvk.com.au
Email sales@gvk.com.au
Phone 03 9312 6633
Fax 03 9312 6433