

BRASS END TERMINATION LUGS FOR LOW VOLTAGE SERVICE AND MAIN CABLES

KEY FEATURES

- Low torque, direct acting bolts
- Suitable for copper and aluminium conductors
- Designed to meet BS4579 and ER C79

TE Connectivity's (TE) Raychem Brass End Termination Lugs (BET) can be used on stranded or solid, aluminium or copper conductors. They are especially suitable for the copper neutral or CNE conductors of low voltage service and mains cables. They can also be used on the earth conductors and copper screen wires.

Unlike fittings made from pressed or forged tube, the blocked barrel of these fittings prevents water passing through the palm to the barrel.

The BET lugs design incorporates shear bolt heads, ensuring correct torque is applied to each bolt and consequently the optimal contact force is generated to minimize connection resistance. The primary tool required to install the connector is a standard ratchet wrench with the appropriate hexagonal sockets.

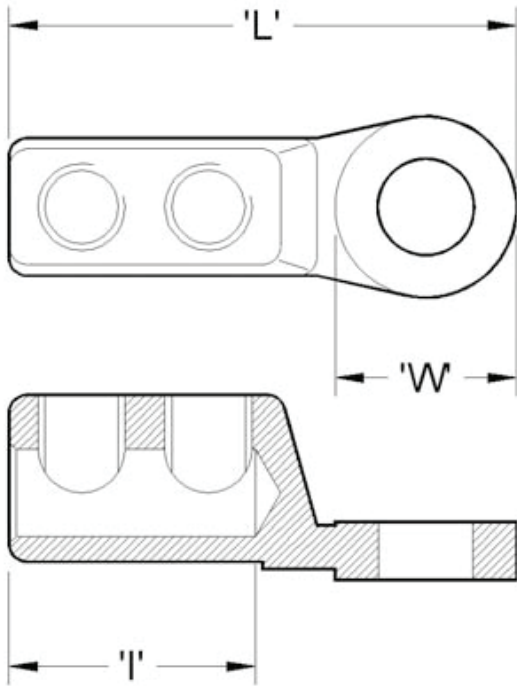
PROUDLY DISTRIBUTED BY

GVKinsman PTY LTD
ELECTRICAL DISTRIBUTOR

Fax 03 9312 6433 Phone 1300 LV MV HV (58 68 48)
Web www.gvk.com.au Email sales@gvk.com.au
660 Somerville Rd, Sunshine West, Vic 3020

Customers can count on consistent, high quality products, driven by TE's proven innovation and backed by our extraordinary customer support.

Brass End Termination Lugs



PRODUCT SPECIFICATION

Reference	PN	TCPN	Dimensions (mm)			Mount bolt size	Maximum conductor size (mm ²)	Installation Tool
			L	I	W			
BET035-08	BAH-024020001	814774-000	55	25	20	M8	35	3mm allen
BET035-10	BAH-024020004	583124-000	55	25	20	M10	35	3mm allen
BET035-12	BAH-024020006	653944-000	55	25	20	M12	35	3mm allen
BET060-10	BAH-024020008	324440-000	70	34	25	M10	60	13mm socket
BET060-12	BAH-024020011	738386-000	70	34	25	M12	60	13mm socket
BET060-16	BAH-024020012	524262-000	70	34	25	M16	60	13mm socket
BET120-10	BAH-024020017	744448-000	86	46	28	M10	120	16mm socket
BET120-12	BAH-024020018	944892-000	86	46	28	M12	120	13mm socket
BET120-16	BAH-024020021	265820-000	86	46	28	M16	120	13mm socket

PROUDLY DISTRIBUTED BY



Fax 03 9312 6433 **Phone** 1300 LV MV HV (58 68 48)
Web www.gvk.com.au **Email** sales@gvk.com.au
 660 Somerville Rd, Sunshine West, Vic 3020

FOR MORE INFORMATION: TE Technical Support Centers

USA/Canada: +1 800-327-6996
 Brazil: +55 11-2103-6023
 Mexico: +52 55-1106-0800
 South America: +57 1-319-8962
 Benelux: +32 16-508-695
 France: +33 (0) 38-058-3210
 Germany/Switzerland: +49 (0) 89-608-9903
 Italy: +39 335-834-3453
 Middle East/Africa: +971 4-211-7020
 Russia: +7 495-790-790-2-200
 Spain/Portugal: +34 912-681-885
 UK: +44 08708-707-500
 China: +86 400-820-6015

te.com/energy

© 2020 TE Connectivity. All Rights Reserved. EPP-1728-DDS-06/20-EN/Revision:C

TE Connectivity, TE connectivity (logo), EVERY CONNECTION COUNTS, AMP, AMPACT, Axicom, Bowthorpe EMP, Crompton Instruments, Raychem, SIMEL, UTILUX are trademarks. Other logos, product and Company names mentioned herein may be trademarks of their respective owners. While TE has made every reasonable effort to ensure the accuracy of the information in this brochure, TE does not guarantee that it is error-free, nor does TE make any other representation, warranty or guarantee that the information is accurate, correct, reliable or current. TE reserves the right to make any adjustments to the information contained herein at any time without notice. TE expressly disclaims all implied warranties regarding the information contained herein, including, but not limited to, any implied warranties of merchantability or fitness for a particular purpose. The dimensions in this brochure are for reference purposes only and are subject to change without notice. Specifications are subject to change without notice. Consult TE for the latest dimensions and design specifications.



YOUR PARTNER IN POWER

Cable Accessories & Earthing Specialists Since 1967



Australia Wide

National Logistics Capability



Training

Product Training In-house & On-site



Expert Solutions

On Hand Technical Team

A Purchasing Process That Suits You

GVK takes pride in selecting exceptional, service-focused team members who are passionate about our business, our products, and most importantly, serving you - our valued customer. Our purchasing process is tailored to suit your business needs, ensuring a seamless and efficient experience from quote, order placement and delivery.



In Store



Online



Phone or Fax



Email

*Disclaimer - The information provided in this document is general information only. It has been prepared without taking into account your objectives, personal situation or needs. Before acting on this information, you should consider the appropriateness of it and use your own judgement to evaluate the suitability of a product for a certain purpose, having regard to your own objectives, personal situation and needs. You should consult a professional where appropriate.

To the extent permitted by law, GVK disclaims any and all guarantees, undertakings and warranties, expressed or implied, and is not liable for any loss or damage whatsoever (including human or computer error, negligent or otherwise, or incidental or consequential loss or damage) arising out of, or in connection with, any use or reliance on the information in this document.

While every attempt has been made to ensure the information in this document is free of errors, GVK does not make any representation, warranty or guarantee that the information is accurate, correct, reliable or current. GVK expressly disclaims all implied warranties regarding the information contained herein, including, but not limited to, any implied warranties of merchantability or fitness for a particular purpose.

GVK reserves the right to make any adjustments to the information at any time without notice.