

SPLIT BOLT CLAMPS

REMTEK SPLIT BOLT CLAMPS

For fast fixing of parallel conductor use

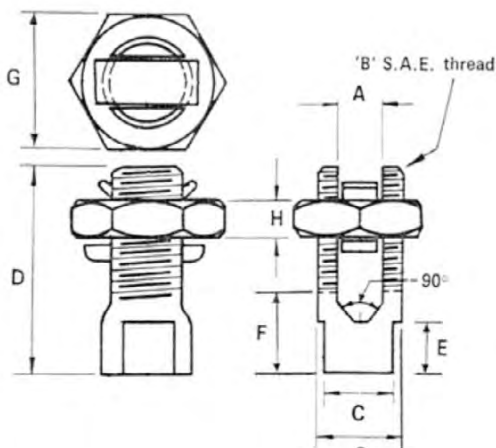
Remtek Split Bolt Clamps are made of 100% Australian Brass for a quality connection.

All dimensions are to Electrical Supply Association of Australia Standards (ESAAS). The Type number is the ESAAS reference number.



Proudly made in Australia from Australian brass

Clamps No.		Max Conductor Size		Dimensions in mm (except B which is in inches)								
Type	Plain	mm ²	Wires	A	B	C	D	E	F	G	H	
A	B22	16	7/.064	5.3	1/2"	10.4	30.2	7.9	11.1	17.9	6.3	
B	B24	35	7/.104	8.3	5/8"	13.2	36.5	9.5	14.3	23.2	6.3	
C	B25	70	19/.083	10.9	7/8"	17.9	44.5	9.5	22.2	27.7	7.1	
D	B26	95	19/.101	12.9	7/8"	17.9	50.8	9.5	22.2	27.7	7.1	
E	B28	185	37/.103	18.5	1 1/4"	23.2	66.7	9.5	25.4	42.1	7.9	



**Get in touch with our sales team for a quote on your next project
Phone 03 9312 6633**



ISO 9001
Quality

G.V.Kinsman PTY LTD

660 Somerville Rd, Sunshine West
Victoria, 3020

Web..... www.gvk.com.au

Email..... sales@gvk.com.au

Phone..... 03 9312 6633

Fax..... 03 9312 6433