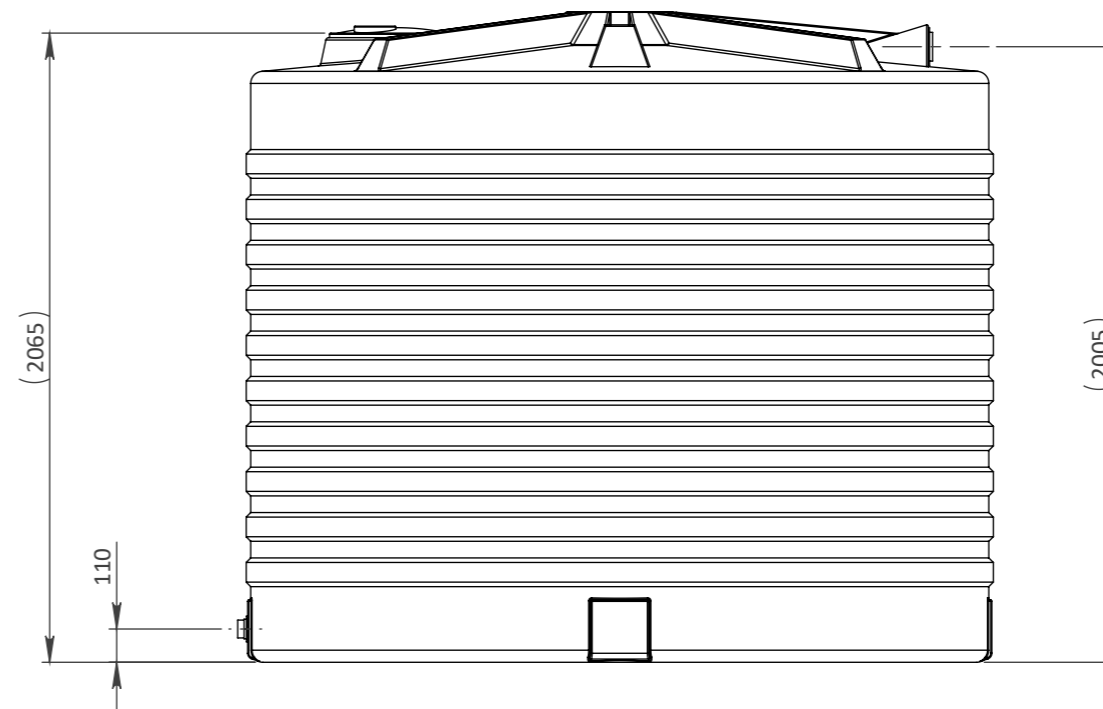
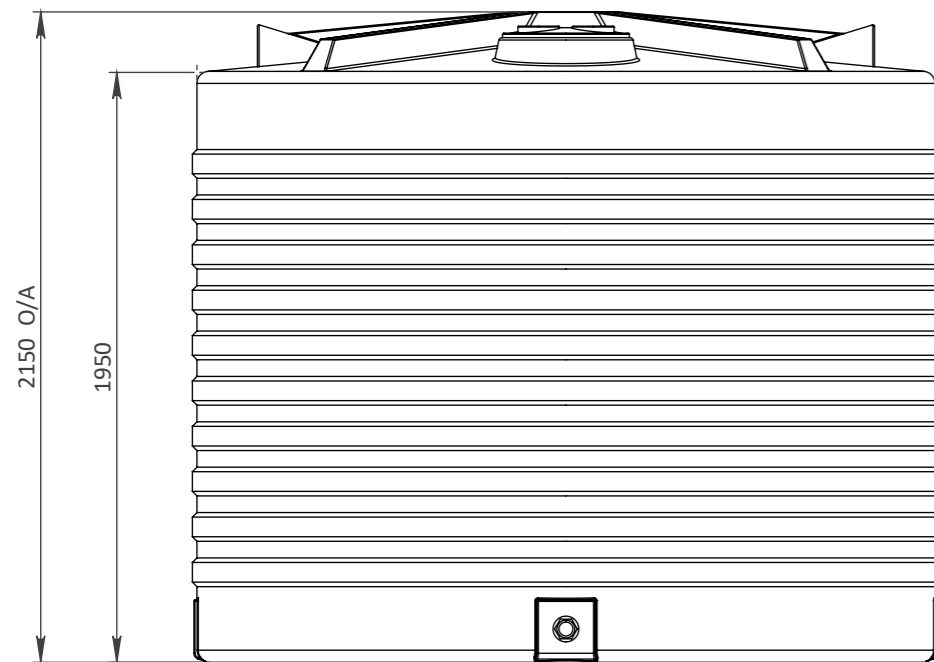
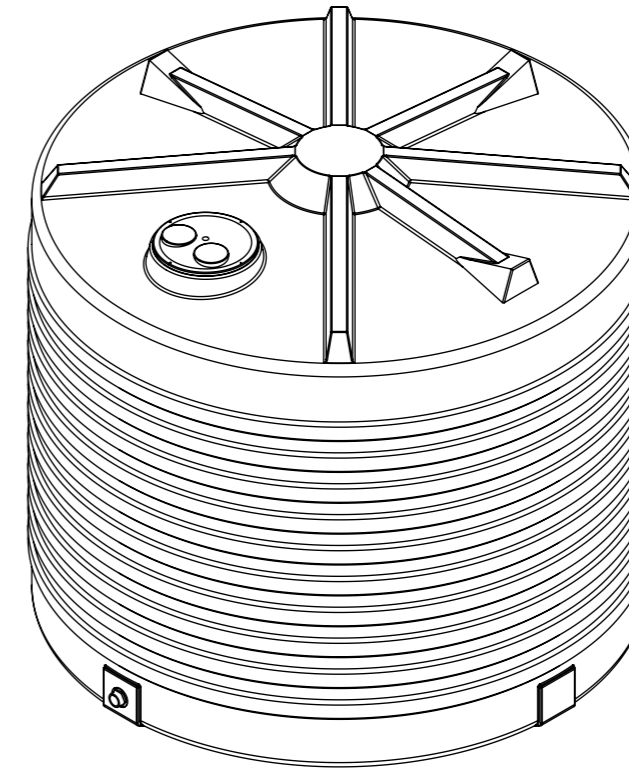
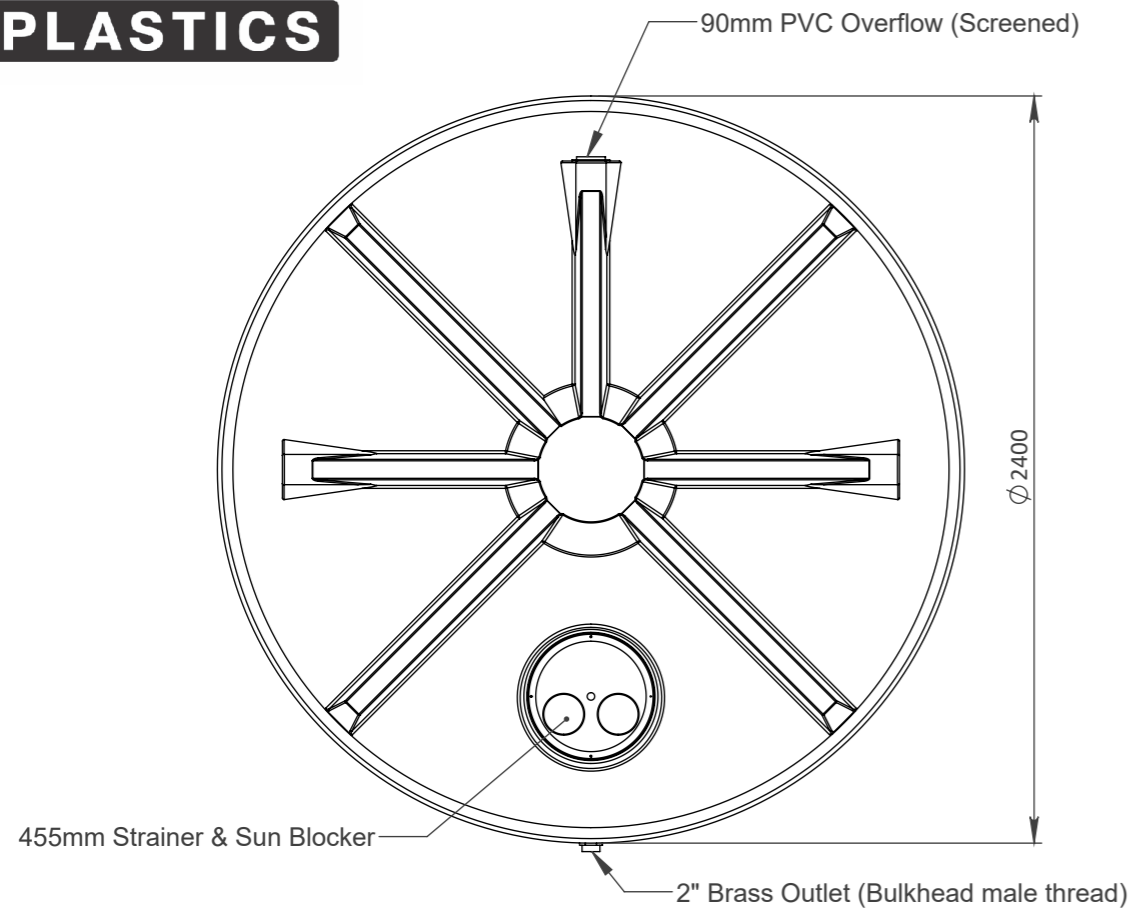


# 9,000 L TANK

## FTAN.ST09000

**TOLERANCES**  
 UNLESS NOTED OTHERWISE  
 PLEASE ALLOW BELOW TOLERANCES  
 DIMENSIONS <200mm - ALLOW ± 5 mm  
 DIMENSIONS 200 - 1000mm - ALLOW ± 10 mm  
 DIMENSIONS >1000mm - ALLOW ± 15 mm



A	11.02.22	AS BUILT	MC	DH	
1	29.05.23	DIMENSIONS ADDED		DH	
REV	DATE	REVISION DESCRIPTION	DRAWN	CHKD.	ENG.



A.C.N. 010 028 547  
 Gough Industries Pty. Ltd.  
 833 Ingham Road  
 Bohle, Townsville  
 P.O. Box 7570, Garbutt BC, Qld. 4814.  
 Telephone 07 47747606  
 www.gough.com.au

CLIENT LOGO.

9,000 L Tank Drawing

SCALE  
 NTS A3

GOUGH PLASTICS DRAWING No.

**FTAN.ST09000**

REVISION  
**1**

SOLDWORKS: S:\Solidworks\Domestic\Tanks\9000 L Tank\9,000 L Tank Assem

PDF FILE PATH: S:\Products\Domestic\Marketing Domestic\Tanks

Dimensions are in millimetres (mm) unless noted.