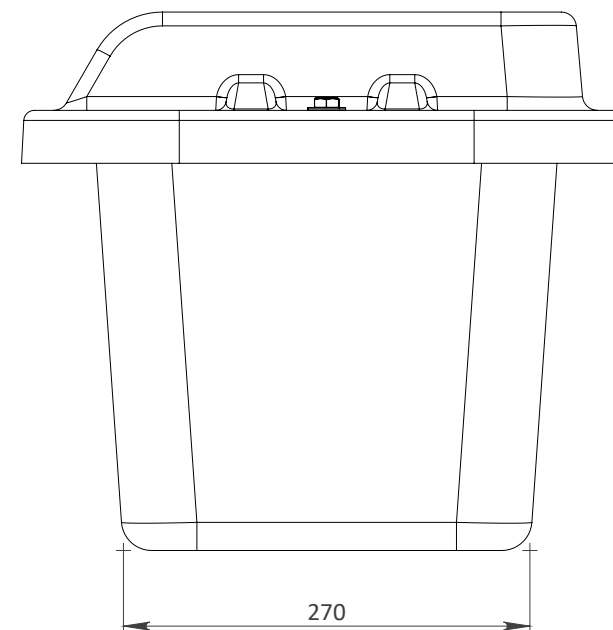
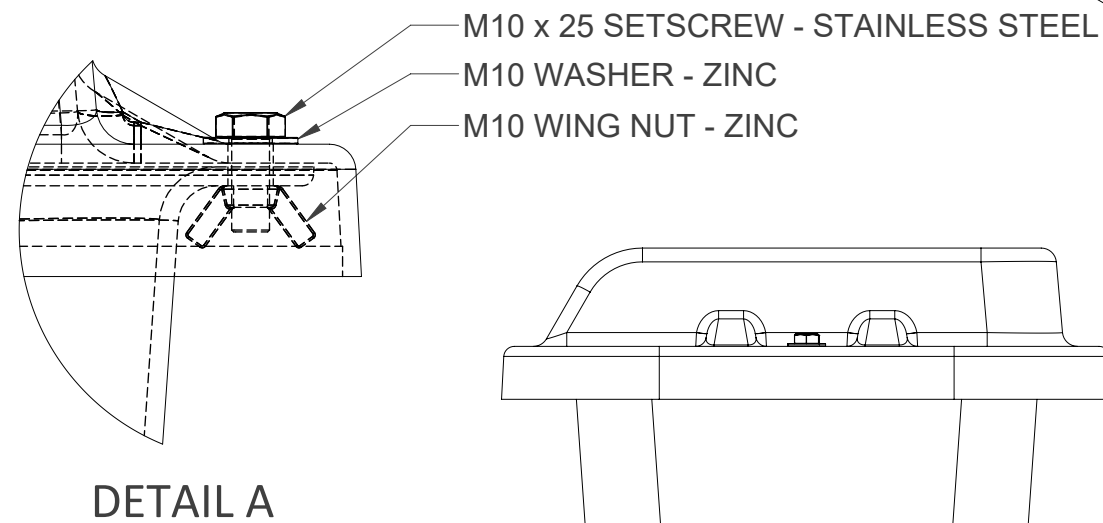
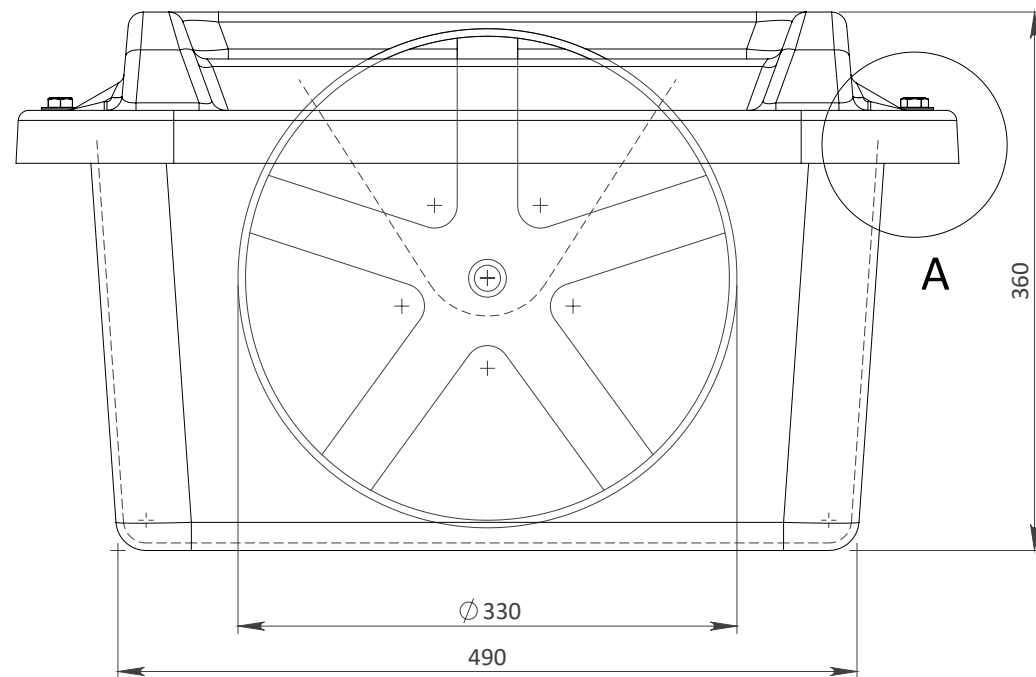
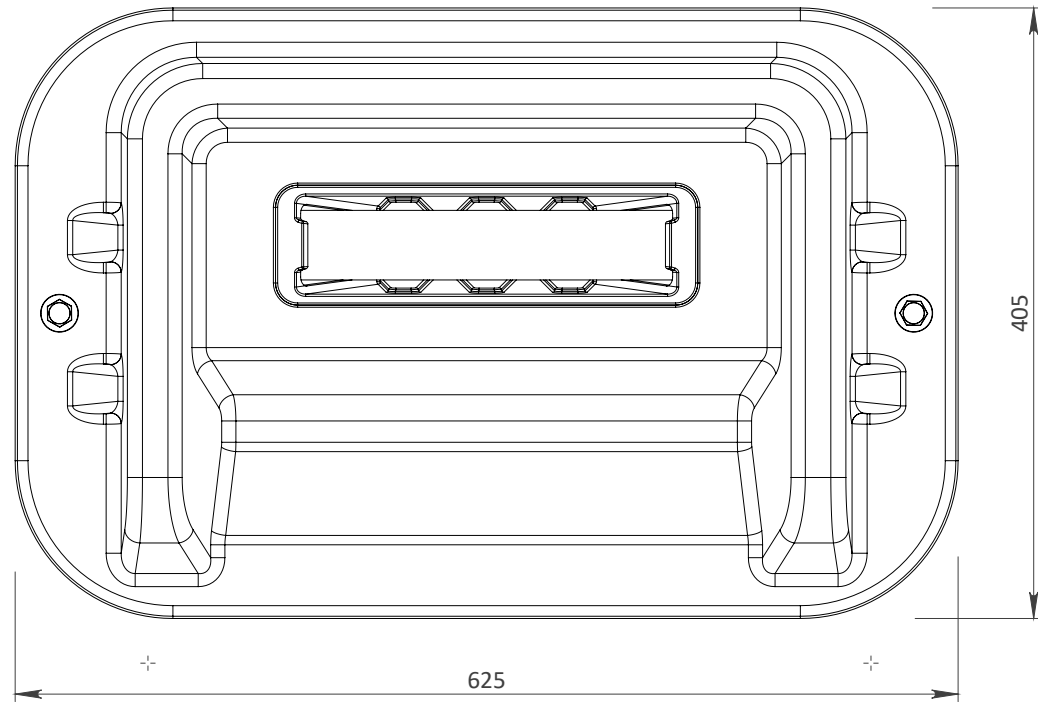


# MAXI-BEAST 35

**TOLERANCES**  
UNLESS NOTED OTHERWISE  
PLEASE ALLOW BELOW TOLERANCES  
DIMENSIONS <200mm - ALLOW ± 5 mm  
DIMENSIONS 200 - 1000mm - ALLOW ± 10 mm  
DIMENSIONS >1000mm - ALLOW ± 15 mm



**VOLUME (BRIM FULL) : 35 L**  
**DRY WEIGHT : 5 kg**

A	18/11/2021	SALES DRAWING	MC	DH		 <p>A.C.N. 010 028 547 Gough Industries Pty. Ltd. 833 Ingham Road Bohle, Townsville P.O. Box 7570, Garbutt BC, Qld. 4814. Telephone 07 47747606 www.gough.com.au</p>	CLIENT LOGO.	<b>Maxi Beast 35 Sales Drawing</b> SCALE: NTS A3 GOUGH PLASTICS DRAWING No. <b>FFAR900.0088</b>		REVISION <b>A</b>
REV	DATE	REVISION DESCRIPTION	DRAWN	CHKD.	ENG.		Dimensions are in millimetres (mm) unless noted.	SOLDWORKS: S:\Solidworks\Rural\Maxi Beasts\35 L Wheel Licker\Maxi Beast 35 Production Assembly	PDF. FILE PATH: S:\Products\Rural\Marketing Rural\Maxi Beasts\35 L Maxi Beast	