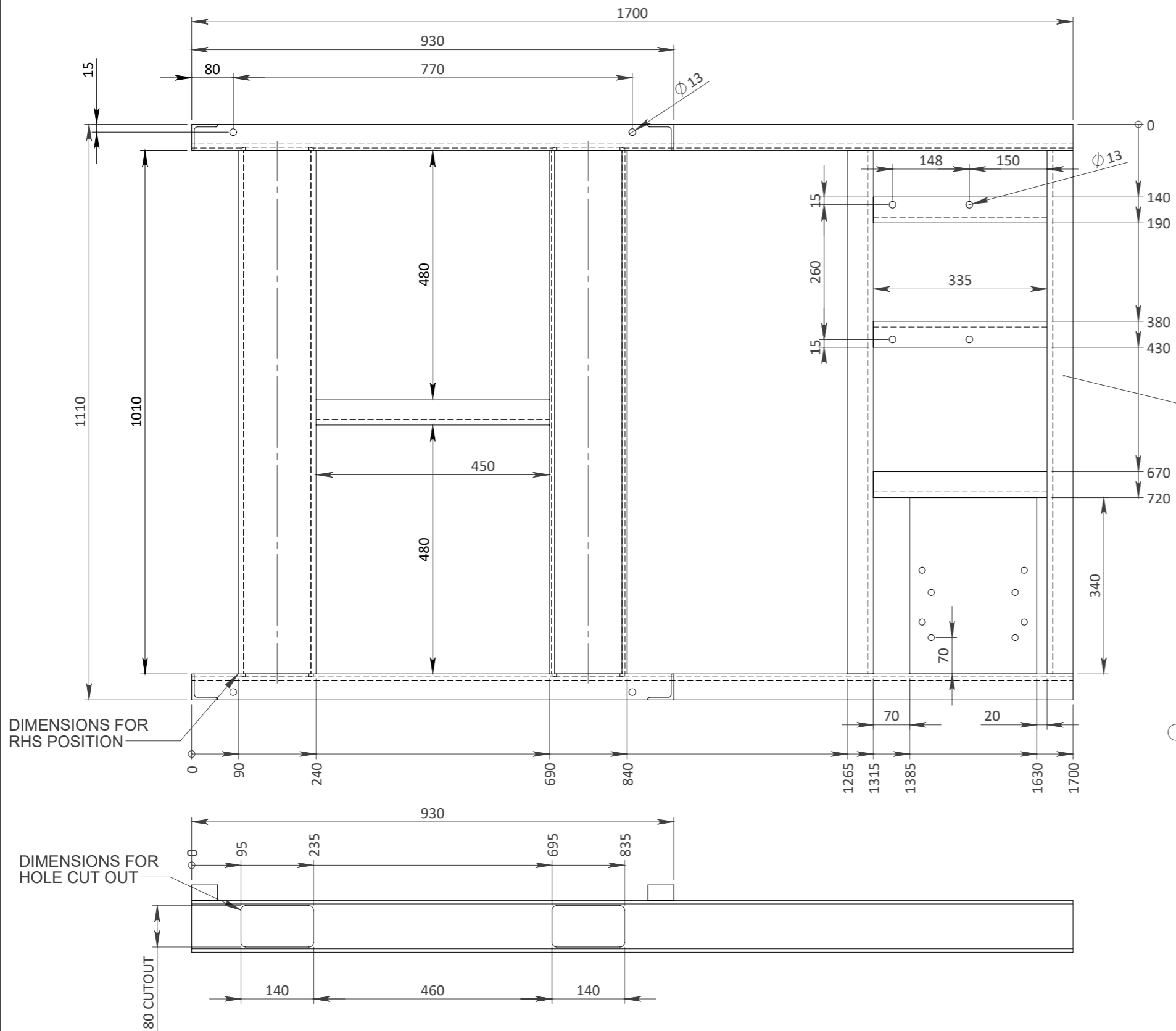


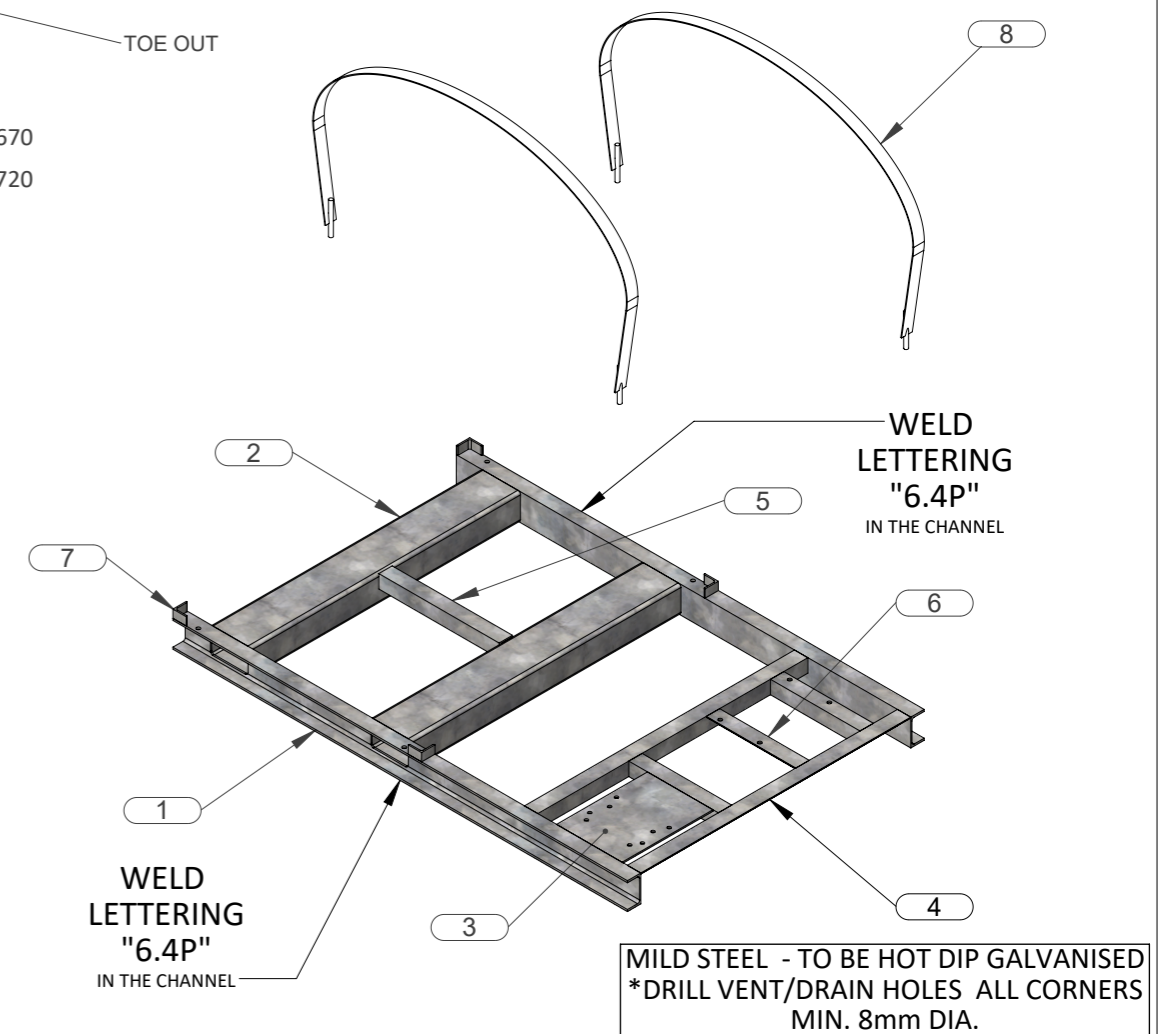
640 L CARTAGE TANK PUMP SKID

FFAR500.4062



ITEM.	QTY.	DESCRIPTION	LENGTH
1	2	PFC 100 x 50	1700
2	1	150 x 100 x 4	1010
3	1	BUY IN PLATE	
4	2	EA 50.0 x 50.0 x 5.0	1010
5	1	EA 50.0 x 50.0 x 5.0	450
6	3	EA 50.0 x 50.0 x 5.0	335
8	2	40 x 3 FLAT BAR	2035
7	4	EA 50.0 x 50.0 x 5.0	30

2 X TANK STRAP REQUIRED - SEE DRAWING: RUR-SKID-640-STRAP



MILD STEEL - TO BE HOT DIP GALVANISED
*DRILL VENT/DRAIN HOLES ALL CORNERS
MIN. 8mm DIA.

REV	DATE	REVISION DESCRIPTION	DRAWN	CHKD.	ENG.
A	31/08/20	FOR CONSTRUCTION	MC	DH	
B	02/10/20	MODIFIED BOLT HOLES	MC	DH	

Dimensions are in millimetres (mm) unless noted.

A.C.N. 010 028 547
Gough Industries Pty. Ltd.
833 Ingham Road
Bohle, Townsville
P.O. Box 7570, Garbutt BC, Qld. 4814.
Telephone 07 47747606
www.gough.com.au

CLIENT LOGO.		640 L CARTAGE TANK PUMP SKID		REVISION
SCALE	GOUGH PLASTICS DRAWING No.	RUR-SKID-640-P		B
NTS	A3			
SOLDWORKS: S:\Solidworks\Rural\Cartage Tanks\640 L\Frames\640 L Pump Skid				
PDF. FILE PATH: S:\Products\Rural\Production Rural\640 L Cartage Tank				