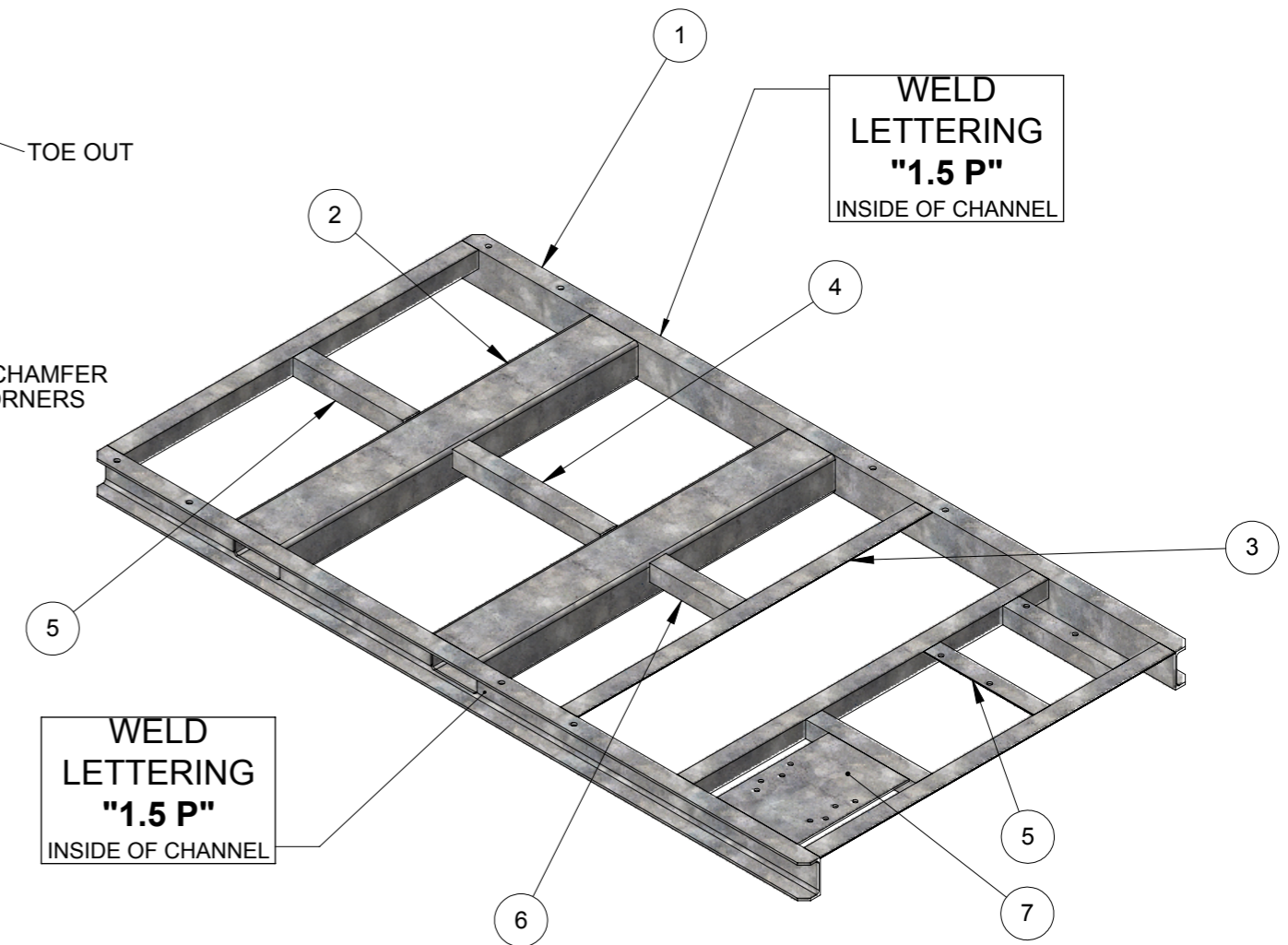


ITEM NO.	DESCRIPTION	LENGTH	QTY.
1	PFC 100 x 50	2170	2
2	150 x 100 x 4	1080	2
3	EA 50.0 x 50.0 x 5.0	1080	4
4	EA 50.0 x 50.0 x 5.0	450	1
5	EA 50.0 x 50.0 x 5.0	335	4
6	EA 50.0 x 50.0 x 5.0	245	1
7	BUY IN PLATE		1



MILD STEEL - TO BE HOT DIP GALVANISED  
\*DRILL VENT / DRAIN HOLES IN ALL CORNERS  
MIN. 8mm DIA.

**WEIGHT: APPROX 95 KG**

REV	DATE	REVISION DESCRIPTION	DRAWN	CHKD.	ENG.
A	17/03/2020	ISSUED FOR CONSTRUCTION	MC	DH	



A.C.N. 010 028 547  
Gough Industries Pty. Ltd.  
833 Ingham Road  
Bohle, Townsville  
P.O. Box 7570, Garbutt BC, Qld. 4814.  
Telephone 07 47747606  
www.gough.com.au

CLIENT LOGO.

1500 L Pump Skid

SCALE  
NTS A3

GOUGH PLASTICS DRAWING No.

**RUR-SKID-1500-P**

REVISION  
**A**

SOLDWORKS: S:\Solidworks\Rural\Cartage Tanks\1500 L\Frames\1500 L Pump Skid

PDF FILE PATH: S:\Products\Rural\Production Rural\1500 L Cartage Tank

Dimensions are in millimetres (mm) unless noted.