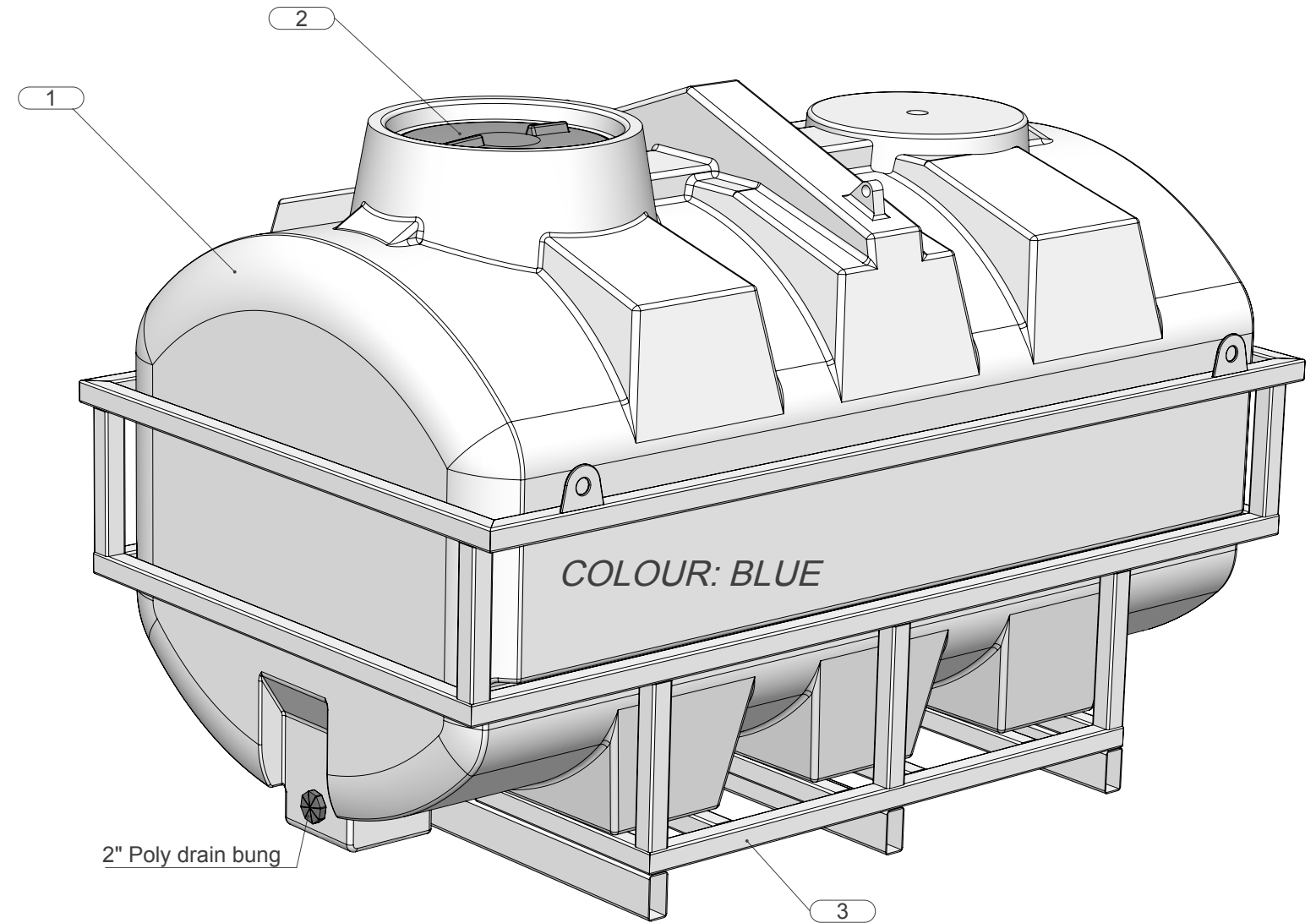
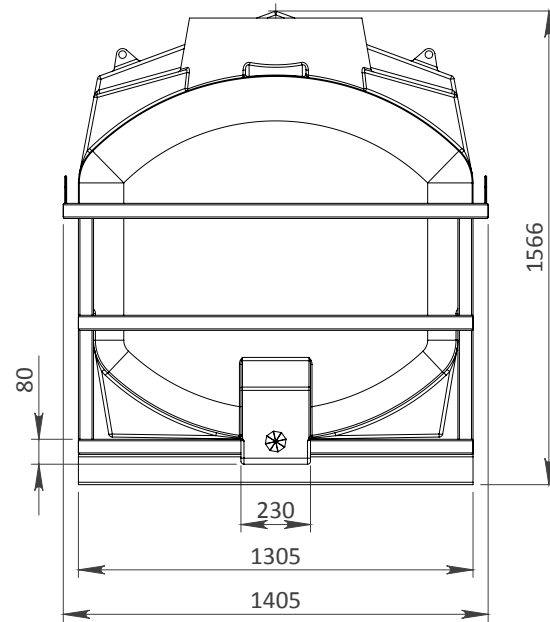
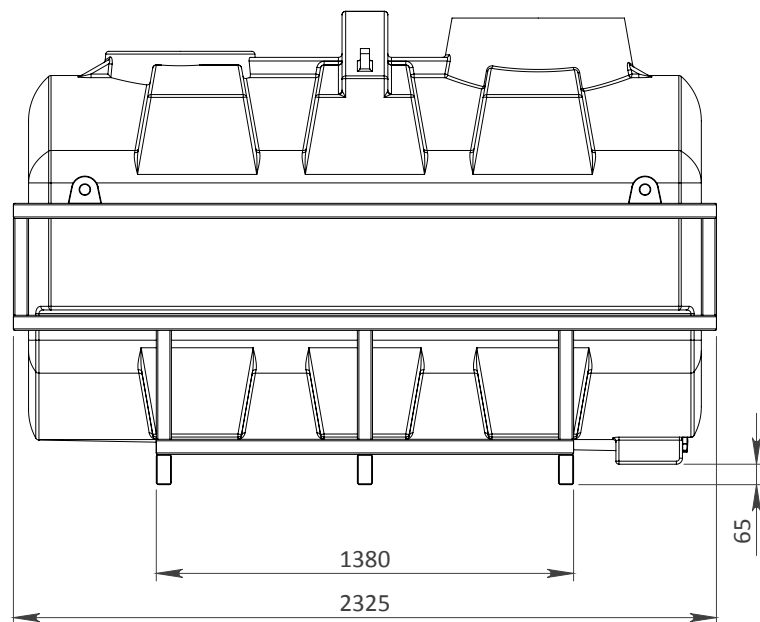
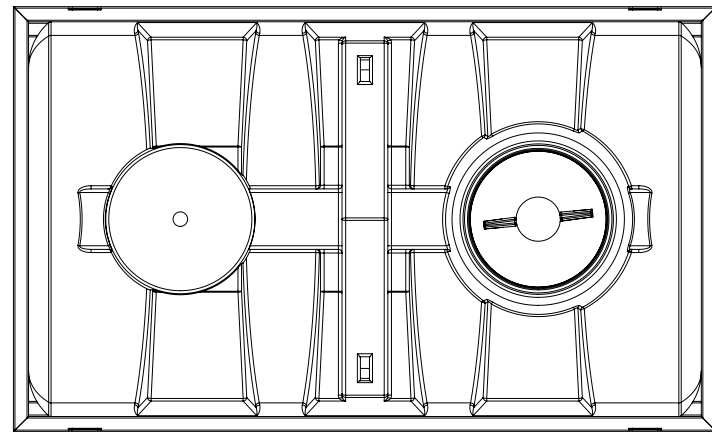


## 3,000L with sump WATER CARTAGE TANK + Frame

**TOLERANCES**  
NOTE: UNLESS NOTED OTHERWISE,  
PLEASE ALLOW DIMENSIONAL TOLERANCES  
DUE TO FABRICATION PROCESS AND  
POLYETHYLENE THERMAL EXPANSION  
DIMENSIONS <200mm - ALLOW ±3mm  
DIMENSIONS 200 - 1000mm - ALLOW ± 5mm  
DIMENSIONS >1000mm - ALLOW ± 10mm

MARK	PART	MATERIAL	PART CODE	DRAWING REF.
1	3,000L with sump WATER CARTAGE TANK	BLUE WATER GRADE POLYETHYLENE	FFAR500.0000	
2	455mm HINGED LID - VENTED	BLACK POLYPROPYLENE	PARTAC.0000	
3	3,000L with sump CARTAGE FRAME	STEEL - DURAGAL (PAINTED WELDS)	FFAR500.0000	RUR-SKID-3000S-F

DRY WEIGHT: 320KG APPROX.



REV	DATE	REVISION DESCRIPTION	DRAWN	CHKD	LEAD ENG
A	30.10.18	AS BUILT	DH	JG	