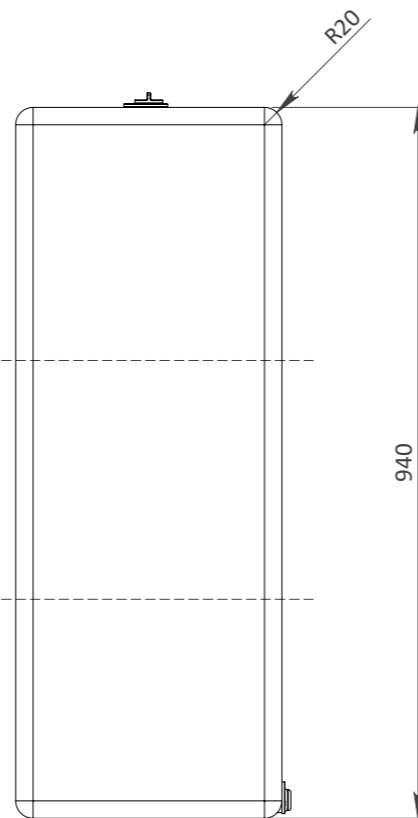
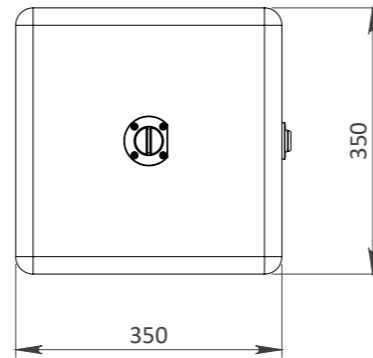


# 100 L RECTANGULAR TANK

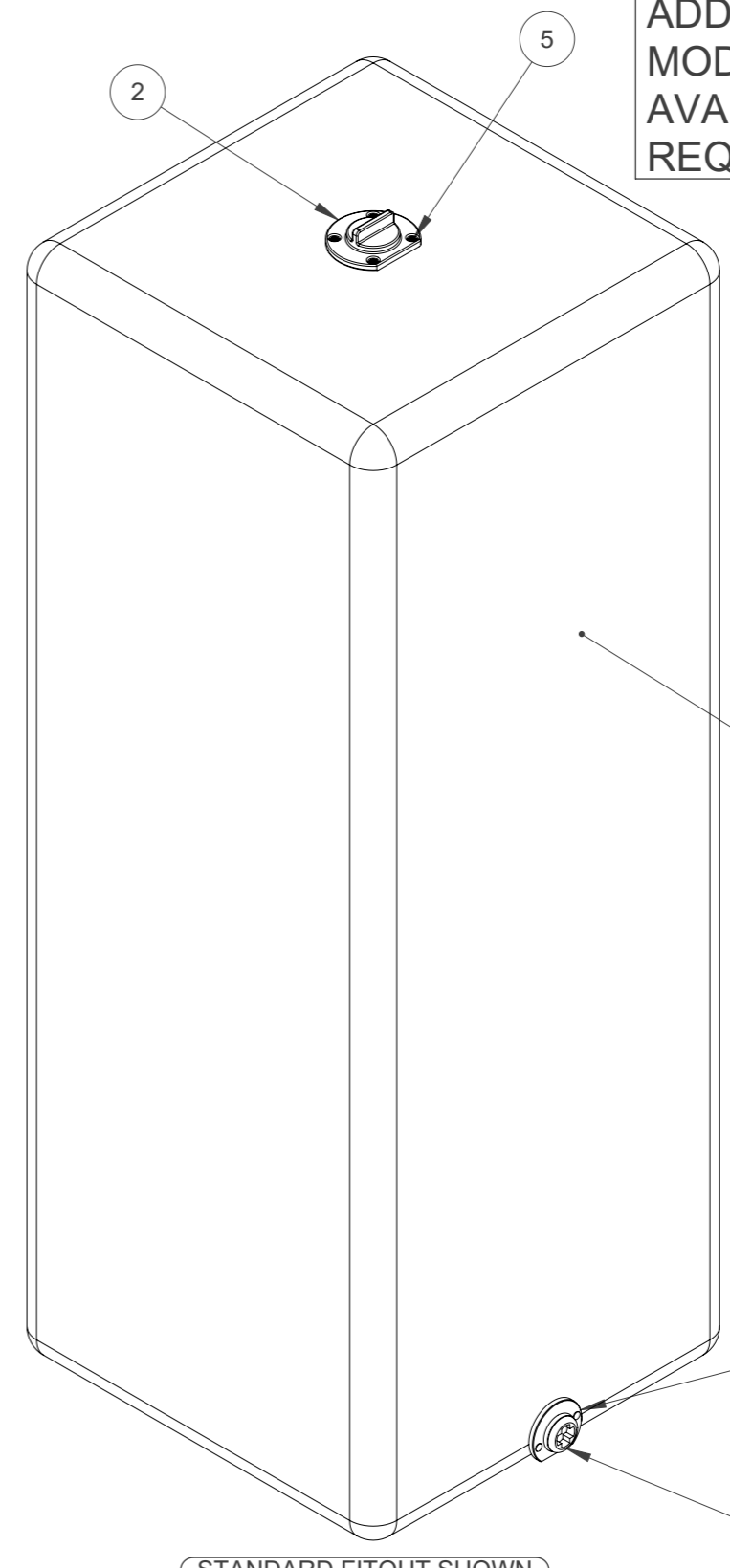
**TOLERANCES**  
 UNLESS NOTED OTHERWISE  
 PLEASE ALLOW BELOW TOLERANCES  
 DIMENSIONS <200mm - ALLOW ± 5 mm  
 DIMENSIONS 200 - 1000mm - ALLOW ± 10 mm  
 DIMENSIONS >1000mm - ALLOW ± 15 mm

ITEM	DESCRIPTION	PART No.	QTY.
1	100 L Rectangular Tank	FBOX408.1000	1
2	Large Drain Plug	PARPLF1762	1
3	3/4" (F) Spinweld Black	PARWEF0960	1
4	Bung 3/4" BSP White	PARPLF1770	1
5	Screw S/S CSK PHIL 8GA x 1/2 G304	PARSCR0251	4



**NOTE:**  
 ADDITIONAL SUPPORT THROUGH  
 MID SECTION MAY BE REQUIRED  
 WHEN MOUNTING VERTICALLY.  
 EG; U-BRACKETS / METAL BRACING  
 TO HOLD SIDES FROM BULGING  
 OUT EXCESSIVELY.

**ADDITIONAL FITTINGS OR  
 MODIFIED LOCATIONS  
 AVAILABLE AT CUSTOMER  
 REQUEST**



**COLOUR:  
 STANDARD - BLACK**

STANDARD FITOUT SHOWN

A	8/10/20	PRODUCT DRAWING	MC	DH	<p>A.C.N. 010 028 547                  Gough Industries Pty. Ltd.                  833 Ingham Road                  Bohle, Townsville                  P.O. Box 7570, Garbutt BC, Qld. 4814.                  Telephone 07 47747606                  www.gough.com.au</p>	CLIENT LOGO.	100 L Rectangular Tank STD		REVISION <b>A</b>		
						SCALE	NTS	A3		GOUGH PLASTICS DRAWING No.	ENG-RECT-100 L
						SOLDWORKS: S:\Solidworks\Engineering\Material Handling\100 L Rectangular Tank\100 L Rectangular Tank					
						PDF. FILE PATH: S:\Products\Engineering\Marketing Engineering					
REV	DATE	REVISION DESCRIPTION	DRAWN	CHKD.	ENG.	Dimensions are in millimetres (mm) unless noted.					