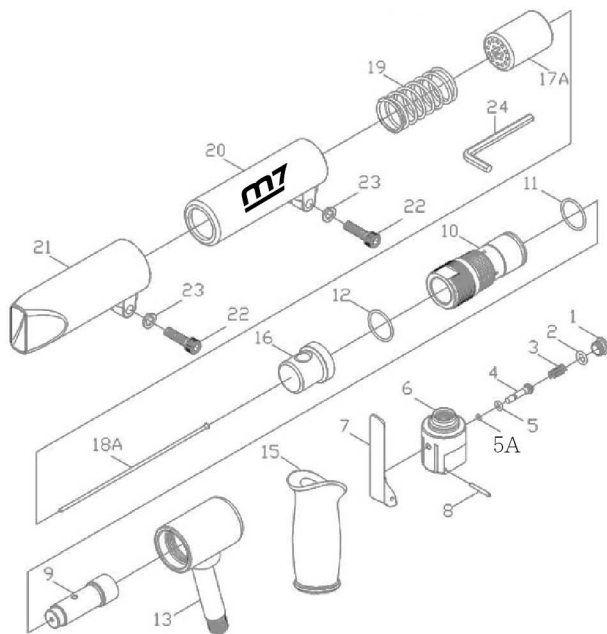




## Air Pistol Needle Scaler

Item No : SN-2110

● The consumable parts ▲ The replacement parts ★ The non-replacement parts



## Part List SN-2110



	NO.	INDEX NO.	DESCRIPTION	Q'TY
★	1	SN-2110P01	VALVE CAP	1
●	2	SN-2110P02	O-RING-VALVE CAP (7.8x2.4)	1
▲	3	SN-2110P03	VALVE SPRING	1
★	4	SN-2110P04	VALVE STEM	1
●	5	SN-2110P05	O-RING-VALVE SEAT (d4.8xw1.5)	1
●	5A	SN-2110P05A	O-RING (2.5x1.5)	1
★	6	SN-2110P06	VALVR BODY	1
★	7	SN-2110P07	THRITTLE LEVER	1
★	8	SN-2110P08	ROLL PIN (Ø3x24L)	1
●	9	SN-2110P09	PISTON	1
▲	10	SN-2110P10	CYLINDER	1
●	11	SN-2110P11	O-RING (d25.7×W3.5)	1
●	12	SN-2110P12	O-RING (d25.7×W3.5)	1
★	13	SN-2110P13	PISTOL HANDLE HOUSHING	1
●	15	SN-2110P15	RUBBER HANDLE GRIP	1
●	16	SN-2110P16	ANVIL	1
●	17A	SN-2110P17A	NEEDLE HOLDER 3MM	1
●	17B	SN-2110P17B	NEEDLE HOLDER 2MM	1
●	18A	SN-2110T18A	3MM NEEDLE SET(Ø3x180L)(19PCS)	1 SET
●	18B	SN-2110T18B	2MM NEEDLE SET(Ø2x180L)(29PCS)	1 SET
●	19	SN-2110P19	SPRING COMPRESSION	1
★	20	SN-2110P20	INTERMEDIATE TUBE	1
★	21	SN-2110P21	FRONT TUBE	1
★	22	SN-2110T22	CAP HEAD SCREW (5/16"x1/8")(2PCS)	1 SET
★	23	SN-2110T23	WSAHER (5/16")(2PCS)	1 SET
★	24	SN-2110P24	HEX WRENCH (6mm)	1