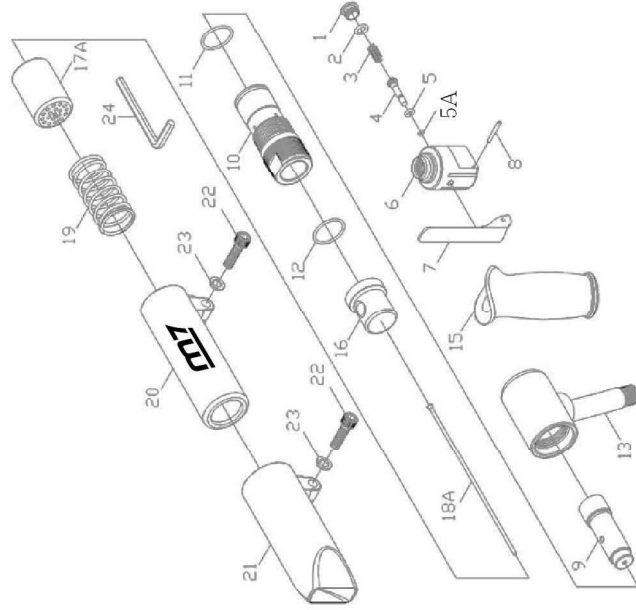




Air Pistol Needle Scaler
Item No : SN-2110

● The consumable parts ▲ The replacement parts ★ The non-replacement parts



Part List SN-2110



| NO. | INDEX NO. | DESCRIPTION | QTY |
|-------|-------------|-----------------------------------|-------|
| ★ 1 | SN-2110P01 | VALVE CAP | 1 |
| ● 2 | SN-2110P02 | O-RING-VALVE CAP (7.8x2.4) | 1 |
| ▲ 3 | SN-2110P03 | VALVE SPRING | 1 |
| ★ 4 | SN-2110P04 | VALVE STEM | 1 |
| ● 5 | SN-2110P05 | O-RING-VALVE SEAT (d4.8xw1.5) | 1 |
| ● 5A | SN-2110P05A | O-RING (2.5x1.5) | 1 |
| ★ 6 | SN-2110P06 | VALVR BODY | 1 |
| ★ 7 | SN-2110P07 | THROTTLE LEVER | 1 |
| ★ 8 | SN-2110P08 | ROLL PIN (Ø3x24L) | 1 |
| ● 9 | SN-2110P09 | PISTON | 1 |
| ▲ 10 | SN-2110P10 | CYLINDER | 1 |
| ● 11 | SN-2110P11 | O-RING (d25.7×W3.5) | 1 |
| ● 12 | SN-2110P12 | O-RING (d25.7×W3.5) | 1 |
| ★ 13 | SN-2110P13 | PISTOL HANDLE HOUSING | 1 |
| ● 15 | SN-2110P15 | RUBBER HANDLE GRIP | 1 |
| ● 16 | SN-2110P16 | ANVIL | 1 |
| ● 17A | SN-2110P17A | NEEDLE HOLDER 3MM | 1 |
| ● 17B | SN-2110P17B | NEEDLE HOLDER 2MM | 1 |
| ● 18A | SN-2110T18A | 3MM NEEDLE SET(Ø3x180L)(19PCS) | 1 SET |
| ● 18B | SN-2110T18B | 2MM NEEDLE SET(Ø2x180L)(29PCS) | 1 SET |
| ● 19 | SN-2110P19 | SPRING COMPRESSION | 1 |
| ★ 20 | SN-2110P20 | INTERMEDIATE TUBE | 1 |
| ★ 21 | SN-2110P21 | FRONT TUBE | 1 |
| ★ 22 | SN-2110T22 | CAP HEAD SCREW (5/16"x1/8")(2PCS) | 1 SET |
| ★ 23 | SN-2110T23 | WASHER (5/16")(2PCS) | 1 SET |
| ★ 24 | SN-2110P24 | HEX WRENCH (6mm) | 1 |