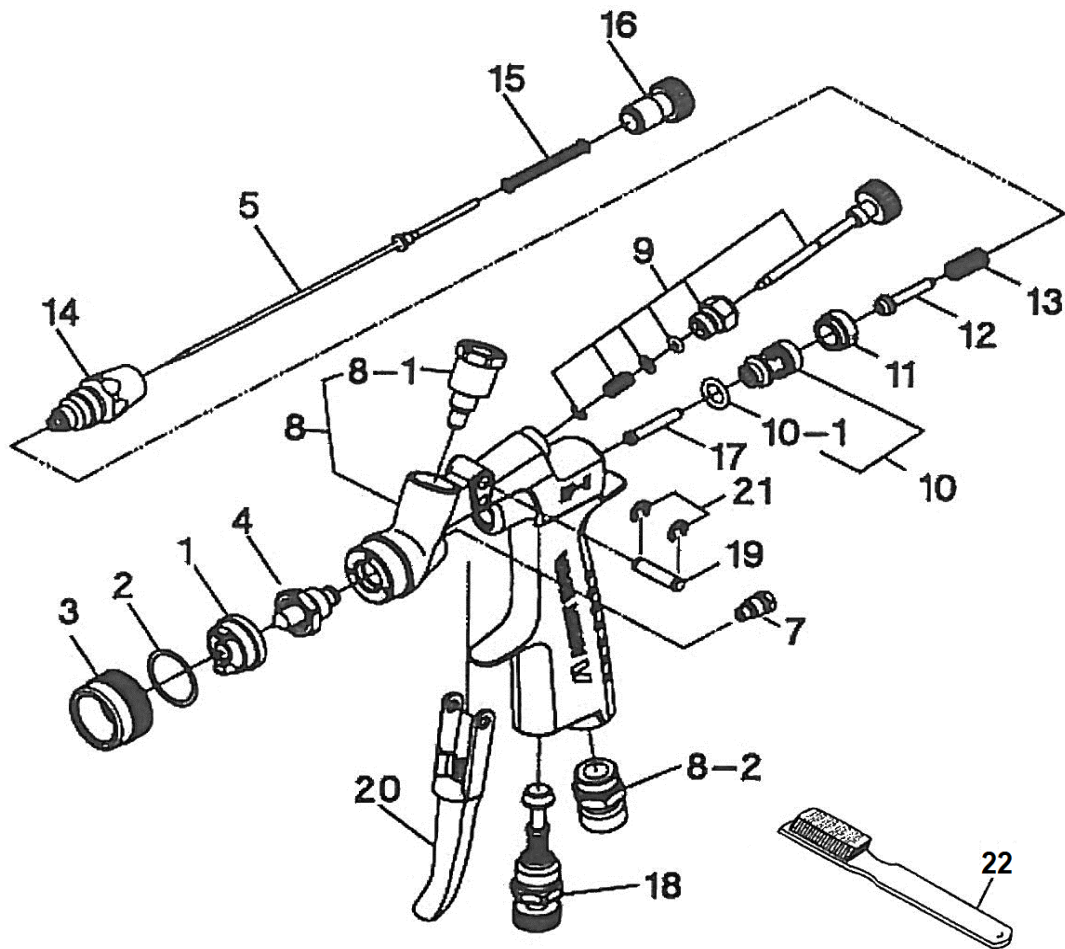


LPH80 HVLP Gravity Feed Spray Gun



ITEM NO.	PART NO.	DESCRIPTION	ITEM NO.	PART NO.	DESCRIPTION
1	93557600	Air Cap E2 (includes 2 & 3)	14	93936880	Fluid Adj. Guide Set
1	93662600	Air Cap E4 (includes 2 & 3)	15	93015880	Fluid Needle Spring
2	93558600	Air Cap Packing #	16	93754530	Fluid Adj. Knob
3	93559600	Cover Ring	17	93006880	Air Valve Shaft
4	93570600	Fluid Nozzle 0.4mm	18	93845531	Air Adj. Set
4	93568600	Fluid Nozzle 0.6mm	19	93167890	Trigger Stud
4	93761530	Fluid Nozzle 0.8mm	20	93162890	Trigger
4	93560600	Fluid Nozzle 1.0mm	21	93912030	E Stopper #
4	93760530	Fluid Nozzle 1.2mm	22	96990600	Brush
5	93891600	Fluid Needle 0.4mm			
5	93890600	Fluid Needle 0.6mm, 0.8mm		LPH80RSK	Reservice Kit includes items marked #
5	93886600	Fluid Needle 1.0mm, 1.2mm			
7	93940890	Needle Packing Set #			
8-1	93753530	Fluid Nipple			
8-2	93660300	Air Nipple			
9	93748530	Pattern Adj. Set			
10	93912880	Air Valve Seat Set			
10-1	96638005	O Ring #			
11	93011880	Air Valve Seat Screw			
12	93013880	Air Valve			
13	93012880	Air Valve Spring			

Updated: June 2013