



Installation instructions for part 99-9109B

Audi A3 (with NAV or Symphony radio) 2006-2013 99-9109B

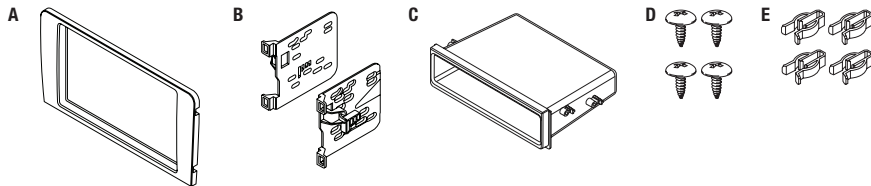
KIT FEATURES

- ISO DIN radio provision with pocket
- ISO DDIN radio provision



KIT COMPONENTS

- A) Radio trim panel • B) Radio brackets • C) Pocket • D) (4) #8 x 3/8" Phillips screws • E) (4) Panel clips



WIRING & ANTENNA CONNECTIONS (sold separately)

Wiring Harness: XSVI-9004-NAV

Antenna Adapter: 40-EU56 • 40VW54 (06'-07' Standard Symphony models)

Steering wheel control interface: ASWC-1 (sold separately)

Table of Contents

Dash Disassembly	2
Kit Assembly	
– ISO DIN radio provision with pocket.....	3
– ISO DDIN radio provision	3

TOOLS REQUIRED

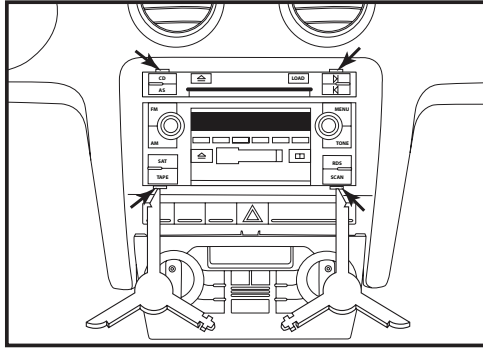
- Qty. (2) 86-9001 Radio removal tools
- Panel removal tool

CAUTION! All accessories, switches, climate controls panels, and especially air bag indicator lights must be connected before cycling the ignition. Also, do not remove the factory radio with the key in the on position, or while the vehicle is running.

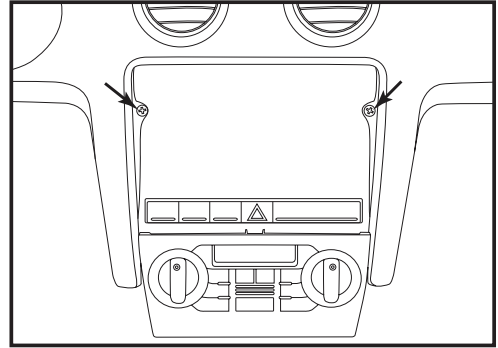
REV. 3/9/2017 INST99-9109B

Dash Disassembly

1. Slowly insert the the 86-9001 radio removal tools into the radio using the tip shown. (Figure A)
2. When you feel each tool click, remove and unplug the radio. A panel removal may be needed to assist in the vremoval.
3. Remove the (2) Phillips screws to the left and right of the radio opening now exposed. These screws will be reused in Kit Assembly. (Figure B)



(Figure A)

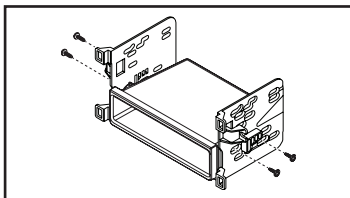


(Figure B)

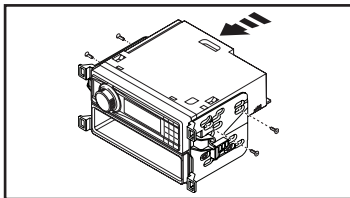
Kit Assembly

ISO DIN radio provision with pocket

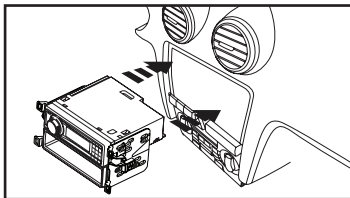
1. Attach the *pocket* to the *radio brackets* using the (4) #8 x 3/8" Phillips screws provided. (Figure A)
2. Remove the metal DIN sleeve and trim ring from the aftermarket radio.
3. Slide the radio into the bracket/pocket assembly, and then secure it using the screws supplied with the radio. (Figure B)
4. Locate the factory wiring harness and antenna connector in the dash and complete all necessary connections to the radio. Metra recommends using the proper mating adapter from Metra and/or Axxess. Test the radio for proper operation.
5. Insert the completed assembly into the dash, and then secure using the factory screws removed in Dash Disassembly. (Figure C)
6. Attach the *panel clips* onto the *radio trim panel*, and then clip the panel onto the completed assembly to secure it to the dash.



(Figure A)



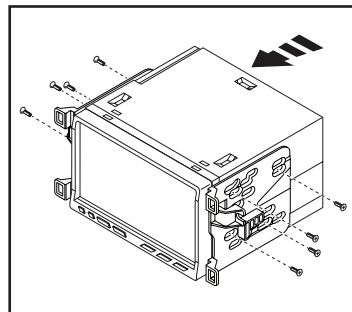
(Figure B)



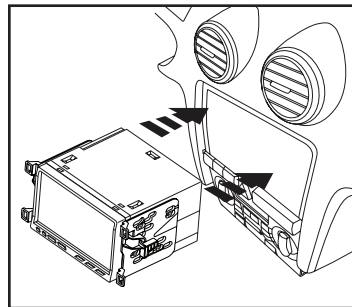
(Figure C)

ISO DDIN radio provision

1. Attach the *radio brackets* to the radio using the screws supplied with the radio. (Figure A)
2. Locate the factory wiring harness and antenna connector in the dash and complete all necessary connections to the radio. Metra recommends using the proper mating adapter from Metra and/or Axxess. Test the radio for proper operation.
3. Insert the completed assembly into the dash, and then secure using the factory screws removed in Dash Disassembly. (Figure B)
4. Attach the *panel clips* onto the *radio trim panel*, and then clip the panel onto the completed assembly to secure it to the dash.



(Figure A)



(Figure B)



Installation instructions for part 99-9109B



IMPORTANT

If you are having difficulties with the installation of this product, please call our Tech Support line at **1-800-253-TECH**. Before doing so, look over the instructions a second time, and make sure the installation was performed exactly as the instructions are stated. Please have the vehicle apart and ready to perform troubleshooting steps before calling.



KNOWLEDGE IS POWER

Enhance your installation and fabrication skills by enrolling in the most recognized and respected mobile electronics school in our industry. Log onto www.installerinstitute.com or call 800-354-6782 for more information and take steps toward a better tomorrow.



**Metra recommends MECP
certified technicians**

REV. 3/9/2017 INST99-9109B