



Mercedes-Benz GL 2007-2012 / ML 2006-2011

Visit MetraOnline.com for more detailed information about the product and up-to-date vehicle specific applications

KIT FEATURES

- ISO DIN radio provision with pocket
- ISO DDIN radio provision
- Painted matte black

KIT COMPONENTS

- A) Radio trim panel • B) Radio brackets • C) Pocket • D) (8) #8 x 3/8" Phillips screws

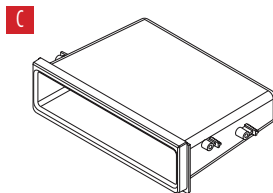
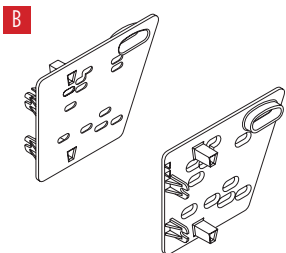
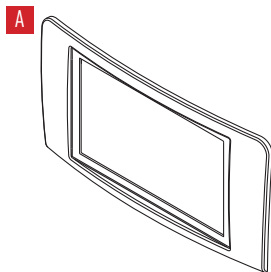


TABLE OF CONTENTS

Dash Disassembly.....	2
Kit Assembly	
–ISO DIN radio provision with pocket.....	3
–ISO DDIN radio provision.....	3

WIRING & ANTENNA CONNECTIONS (sold separately)

Please visit metraonline.com for additional adapters and accessories.

TOOLS REQUIRED

- Panel removal tool • Phillips screwdriver
- T-20 Torx driver

Attention! Let the vehicle sit with the key out of the ignition for a few minutes before removing the factory radio. When testing the aftermarket equipment, ensure that all factory equipment is connected before cycling the key to ignition.

DASH DISASSEMBLY

1. Unsnap and remove climate controls.
2. Remove (2) T-20 Torx screws from the radio retaining tabs.
3. Push straight down on the retaining tabs to release the factory radio.

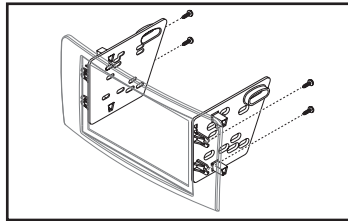
Continue to Kit Assembly

Please visit Metraonline.com for Dash Disassembly illustrations.

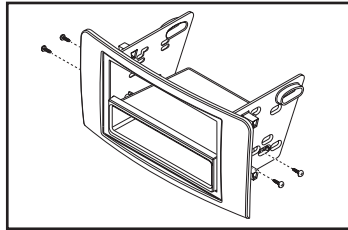
KIT ASSEMBLY

ISO-DIN radio provision with pocket

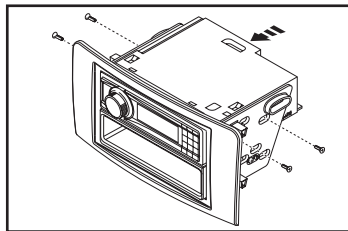
1. Attach the *radio brackets* to the *radio trim panel* using (4) #8 x 3/8" Phillips screws supplied. (Figure A)
2. Attach the *pocket* to the bracket assembly using the (4) supplied #8 x 3/8" Phillips screws. (Figure B)
3. Remove the metal DIN sleeve and trimming from the aftermarket radio.
4. Slide the radio into the completed assembly, and then secure it to the assembly using screws supplied with the radio. (Figure C)
5. Locate the factory wiring harness and antenna connector in the dash, and complete all necessary connections to the radio. Metra recommends using the proper mating adapter from Metra and/or AXXESS. Test the radio for proper operation.
6. Reassemble the dash in reverse order of disassembly.



(Figure A)



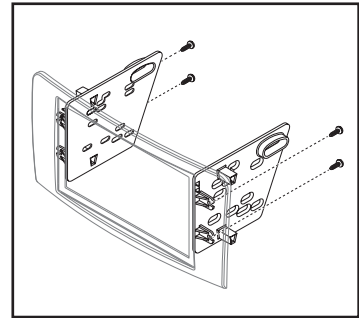
(Figure B)



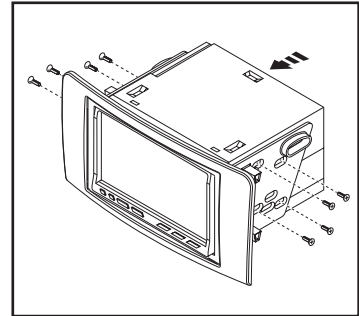
(Figure C)

ISO-DDIN radio provision

1. Attach the *radio brackets* to the *radio trim panel* using (4) #8 x 3/8" Phillips screws supplied. (Figure A)
2. Slide the radio into the completed assembly, and then secure it to the assembly using screws supplied with the radio. (Figure B)
3. Locate the factory wiring harness and antenna connector in the dash, and complete all necessary connections to the radio. Metra recommends using the proper mating adapter from Metra and/or AXXESS. Test the radio for proper operation.
4. Reassemble the dash in reverse order of disassembly.



(Figure A)



(Figure B)



99-8723B
INSTALLATION INSTRUCTIONS



If you are having difficulties with the installation of this product, contact our Tech Support line either by phone at **1-800-253-TECH**, or email at **techsupport@metra-autosound.com**. Before doing so, look over the instruction booklet a second time and ensure that the installation was performed exactly as the instruction booklet is stated. Have the vehicle apart and ready to perform troubleshooting steps before contacting Metra/Axxess Tech Support.



KNOWLEDGE IS POWER

Enhance your installation and fabrication skills by enrolling in the most recognized and respected mobile electronics school in our industry. Log onto www.installerinstitute.com or call 800-354-6782 for more information and take steps toward a better tomorrow.



Metra recommends MECP certified technicians