

## Application

Used in conjunction with the Single Run system. It is suitable for light commercial and residential applications.

To accommodate different building designs, panels can slide to one or both sides.

Telescopic opens passing panels concurrently. Operating one panel will drive the other panels to traverse across the opening.

## Panel Specification

As per the Single Run systems.

Note: Different panel dimensions per system using soft close.

Track System: Single Run	120	180	350
Max Panel Weight			
Per Individual Panel:			
2 Panels System	120kg	120kg	120kg
3 Panels System	100kg	100kg	100kg
Max Panel Height	3000mm	3000mm	3000mm
Panel Thickness	28mm	35mm	35mm

For ease of operation it is recommended that the panel width should not exceed 75% of panel height.

Timber panels for interior use can be of flush construction or glazed. Timber panels for industrial applications should be framed, ledged and braced. Metal panels should be constructed of box section, channel or angle framing, well braced and clad with flat or corrugated sheets.

## Standard Sets and Packs

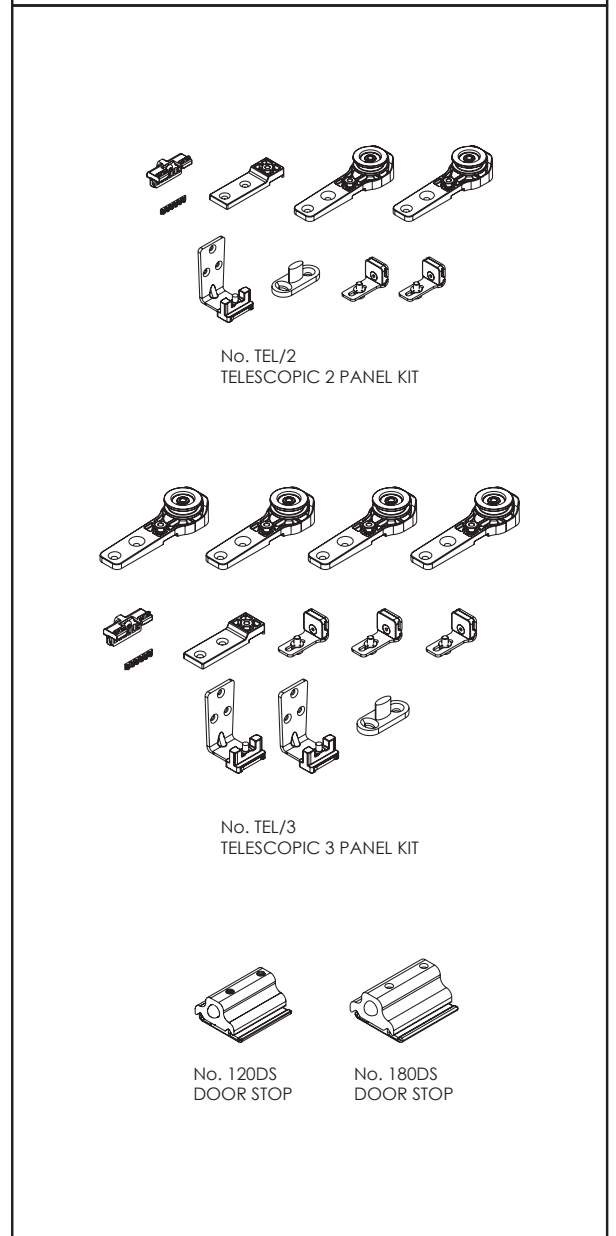
Sets comprise of clamped toothed belt, floor guide, pulley, datum block, clamp retainer, belt clamp and door guide.

Set No:	Max panel width
TEL/2	1450mm
TEL/3	1450mm

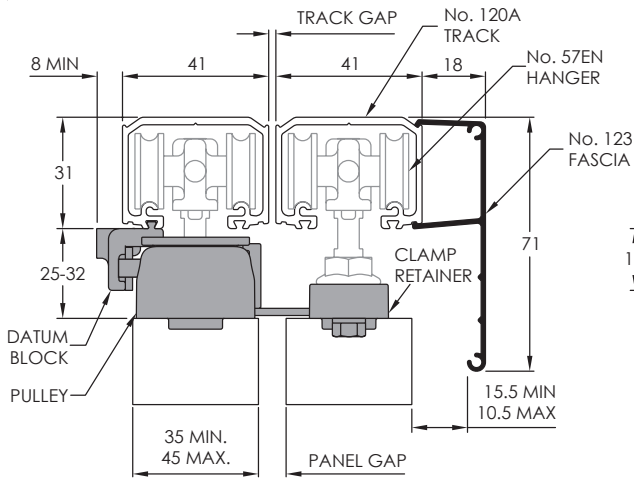
## Hardware Specification

<b>Track:</b>	100, 120A, 180A, & 350
Material	Aluminium
Finish	Mill or clear anodised
Standard Lengths	2000mm, 3000mm, 4000mm & 6000mm

<b>Accessories:</b>	
Door Stop	120DS or 180DS
Fascia	123, 183, 353

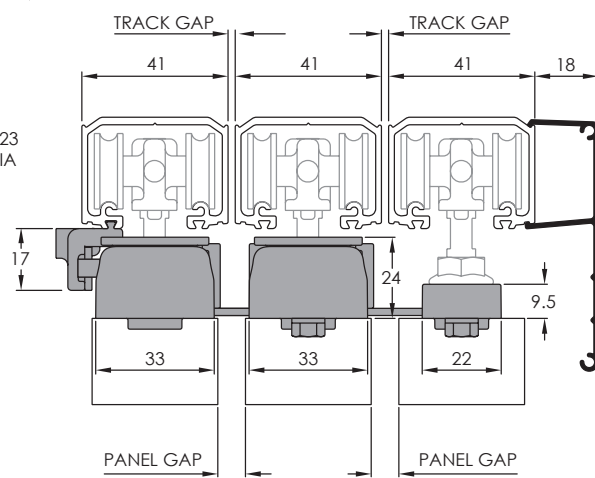


**2 PANEL TELESCOPIC KIT**  
SINGLE RUN 120

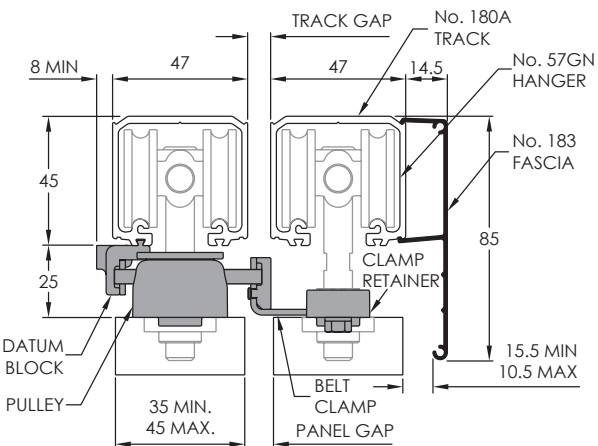


PANEL THICKNESS	28	35	38	40	45
TRACK GAP	0	2	5	8	12
PANEL GAP	12.7	7.7	7.7	8.7	7.7

**3 PANEL TELESCOPIC KIT**  
SINGLE RUN 120

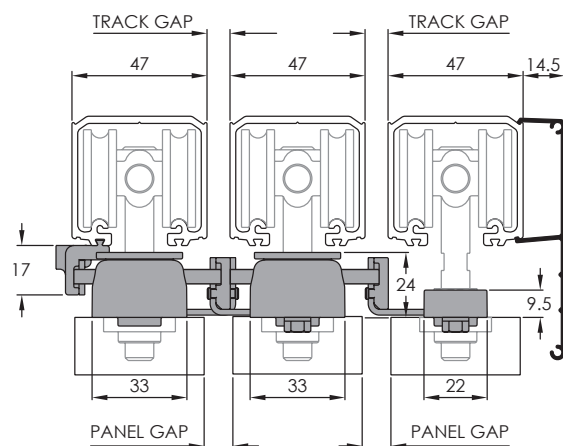


**2 PANEL TELESCOPIC KIT**  
SINGLE RUN 180

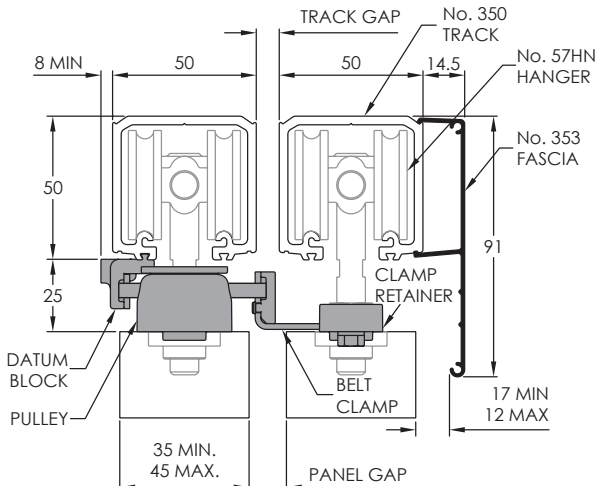


PANEL THICKNESS	35	38	40	45
TRACK GAP	0	0	1	7
PANEL GAP	12	9	8	8

**3 PANEL TELESCOPIC KIT**  
SINGLE RUN 180

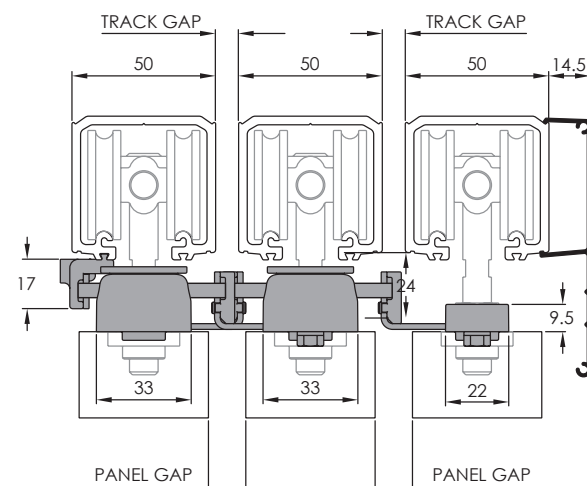


**2 PANEL TELESCOPIC KIT**  
SINGLE RUN 350



PANEL THICKNESS	35	38	40	45
TRACK GAP	0	0	0	3
PANEL GAP	15	12	10	8

**3 PANEL TELESCOPIC KIT**  
SINGLE RUN 350



### TELESCOPIC KIT SPECIFICATIONS

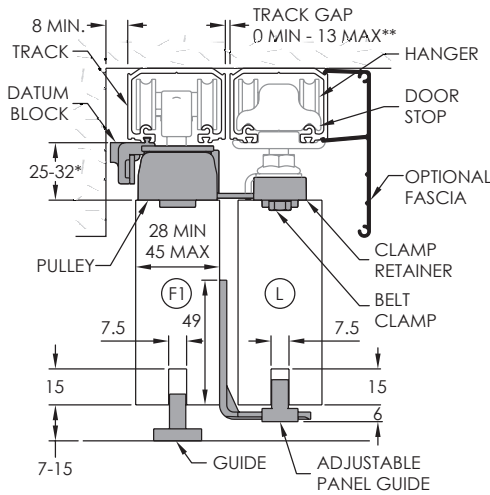
SINGLE RUN SYSTEM	120	180	350
2 PANEL TELESCOPIC MAX PANEL WEIGHT	120KG	120KG	120KG
3 PANEL TELESCOPIC MAX PANEL WEIGHT	100KG	100KG	100KG
FASCIA OPTION			

### KEY

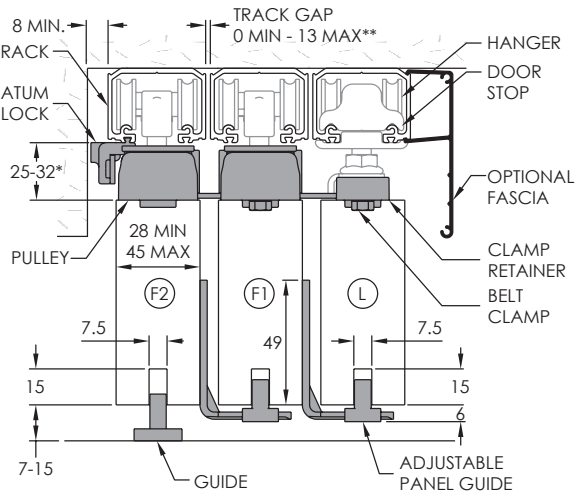
- (L) LEAD PANEL
- (F1) FOLLOWER PANEL 1
- (F2) FOLLOWER PANEL 2

\* MAX CLEARANCE DEPENDENT ON SINGLE RUN SYSTEM USED  
 \*\* TRACK GAP DEPENDENT ON SINGLE RUN SYSTEM USED

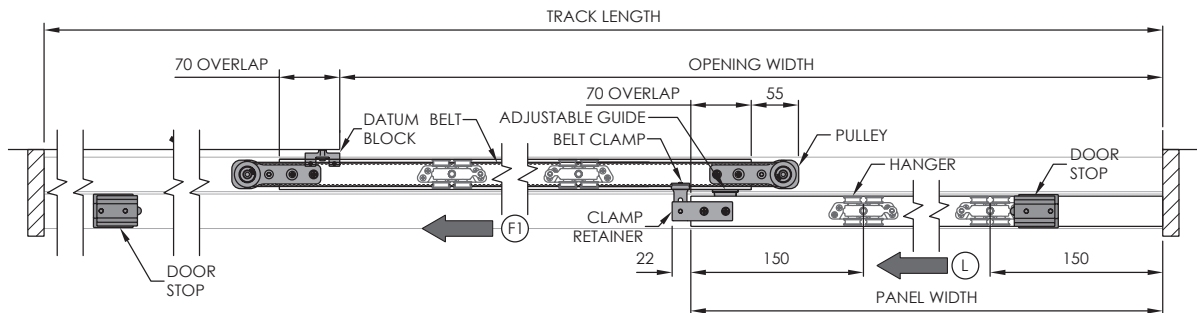
2 PANEL TELESCOPIC  
SINGLE RUN 120 HANGERS SHOWN



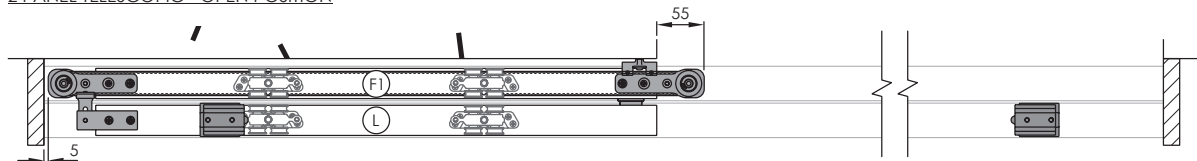
3 PANEL TELESCOPIC  
SINGLE RUN 120 HANGERS SHOWN



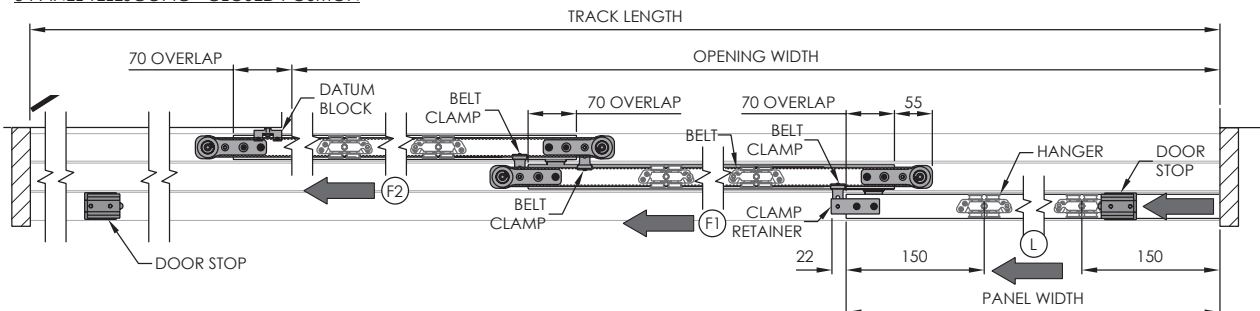
2 PANEL TELESCOPIC - CLOSED POSITION



2 PANEL TELESCOPIC - OPEN POSITION



3 PANEL TELESCOPIC - CLOSED POSITION



3 PANEL TELESCOPIC - OPEN POSITION

