

mardeco<sup>®</sup>

m  
series<sup>™</sup>

REFINED  
SLIDING  
DOOR  
HARDWARE



EXCITINGLY DIFFERENT



# UNCOMPROMISING SIMPLICITY

The M-Series range of sliding door hardware by Mardeco represents a new age of flush pull handles and privacy locks for timber and aluminium sliding doors.

Packed with innovation and sophistication, these sleek, modern handles represent simplicity through uncompromising design. With Mardeco taking the time to get the range perfect, quality and ease of use have been emphasised in every aspect, from the handles themselves to the installation resources and packaging.

Designed in New Zealand, the M-Series perfectly represents what Mardeco is all about ... quality, design and good service. M-Series hardware comes with detailed installation instructions and additional parts for multiple applications, giving your project a cohesive look.

There are so many decisions to be made when it comes to fitting out a project, yet the decision about which sliding door hardware to choose is an easy one with the M-Series by Mardeco.

German made stainless steel fasteners by HECO

Elegant sliding lock mechanism

Adjustable backsets

Multiple spindles to suit a range of door thicknesses

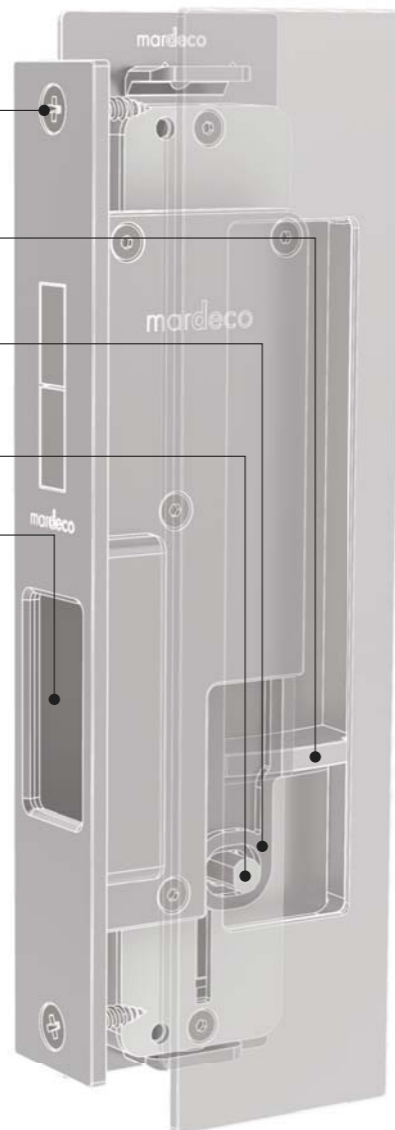
Sensible ergonomic end pull design

FLUSH PULL and END PULL packs also include:

- ✓ All fixing components and fasteners for timber or aluminium sliding doors and kitchen cabinetry.
- ✓ Templates for multiple applications.

FLUSH PULL PRIVACY SET packs also include:

- ✓ 2 x adjustable backsets. 35 and 50 - 55mm.
- ✓ 3 x spindle sizes to suit door thicknesses 38 - 50mm.
- ✓ Comprehensive installation instructions.
- ✓ Templates for multiple applications.
- ✓ All fixing components and fasteners for timber or aluminium sliding doors.
- ✓ Mardeco hex screw driver.



Everything you need to get it right on site.



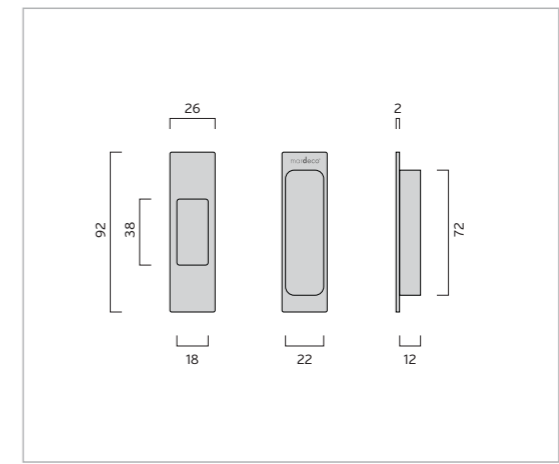
## 1 m series END PULL

APPLICATION  
Sliding Doors  
(Timber or Aluminium)  
Kitchen Cabinets

FINISH  
Brushed Nickel  
Satin Chrome  
Other finishes on request

CONTENTS  
1 x End Pull  
Fixing Components

CODE  
**BN8001/92**  
**SC8001/92**



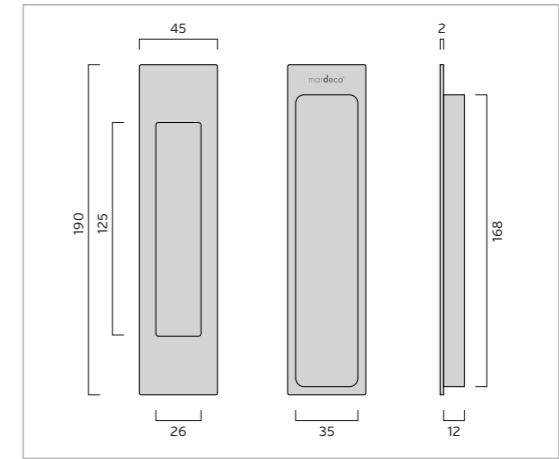
## 2 m series FLUSH PULL

APPLICATION  
Sliding Doors  
(Timber or Aluminium)  
Kitchen Cabinets

FINISH  
Brushed Nickel  
Satin Chrome  
Other finishes on request

CONTENTS  
1 x Flush Pull  
Fixing Components

CODE  
**BN8002/190**  
**SC8002/190**



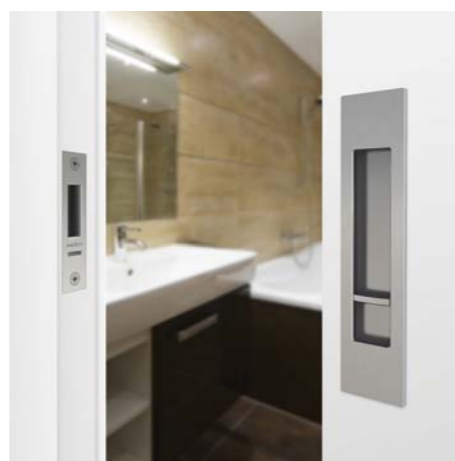
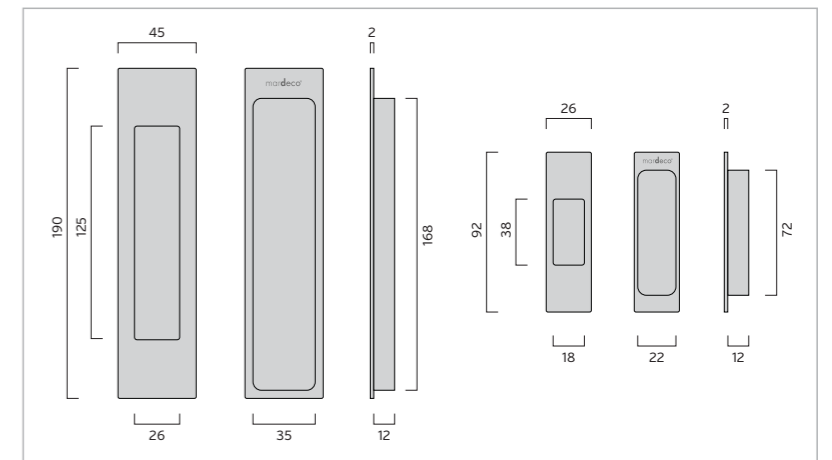
## 3 m series FLUSH PULL SET

APPLICATION  
Sliding Doors  
(Timber or Aluminium)  
Kitchen Cabinets

FINISH  
Brushed Nickel  
Satin Chrome  
Other finishes on request

CONTENTS  
2 x Flush Pulls  
1 x End Pull  
Fixing Components

CODE  
**BN8008/SET**  
**SC8008/SET**



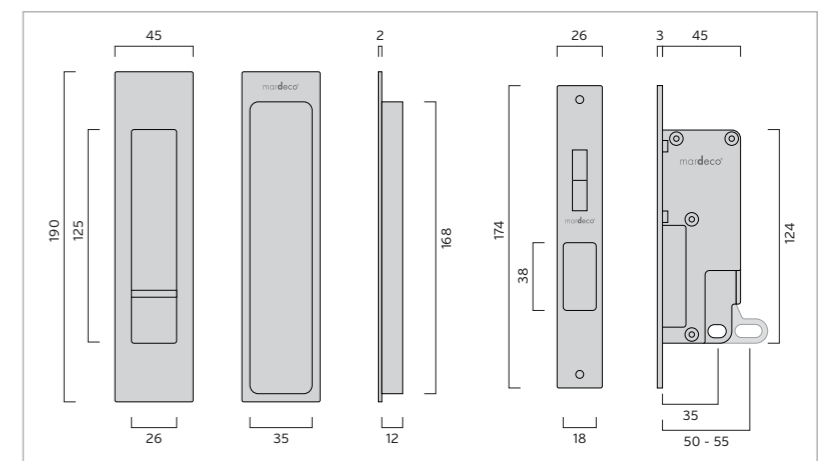
## 4 m series FLUSH PULL PRIVACY SET

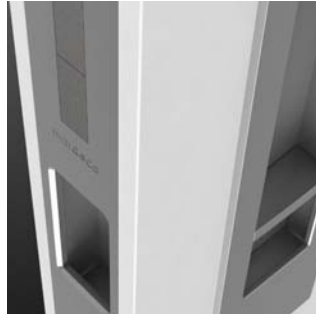
APPLICATION  
Sliding Doors  
(Timber or Aluminium)  
Door thickness 38 - 50mm  
Backset 35mm & 50 - 55mm

FINISH  
Brushed Nickel  
Satin Chrome  
Other finishes on request

CONTENTS  
1 x Flush Pull Privacy Slide  
1 x Flush Pull Emergency Release  
1 x Sliding Door Lock  
1 x Striker Plate & Box  
Fixing Components

CODE  
**BN8004/SET**  
**SC8004/SET**





*we handle the best*



The Mardeco M-Series range of flush pulls are attractively packaged with detailed installation instructions and additional parts for multiple applications and door guages.



For a list of Mardeco M-Series stockists and instructional resources visit [www.mardeco.co.nz/mseries](http://www.mardeco.co.nz/mseries)



Experience the Mardeco M-Series quality with unique display units at any stockist.



Scan QR code to access instructional videos and other resources on your smartphone or tablet.



Stainless steel screws in M-Series product packs by Heco Schrauben [www.heco-schrauben.de](http://www.heco-schrauben.de)



Mardeco International Ltd is a proud member of the National Kitchen and Bathroom Association, NZ.

See the huge range of quality handles at your stockist. Ask for a catalogue phone: 0800 820 840 or view our catalogue online at [www.mardeco.co.nz](http://www.mardeco.co.nz).

Mardeco International Ltd PO Box 131 Whangaparaoa Auckland New Zealand 0943 tel. + 64 [0] 9 428 0658 | NZ free phone 0800 820 840 | fax. + 64 [0] 9 428 0659 email [info@mardeco.co.nz](mailto:info@mardeco.co.nz) | [www.mardeco.co.nz](http://www.mardeco.co.nz)

Mardeco International Ltd retain the right to change products and specifications without notice.

DEALER