

PIVOT SET

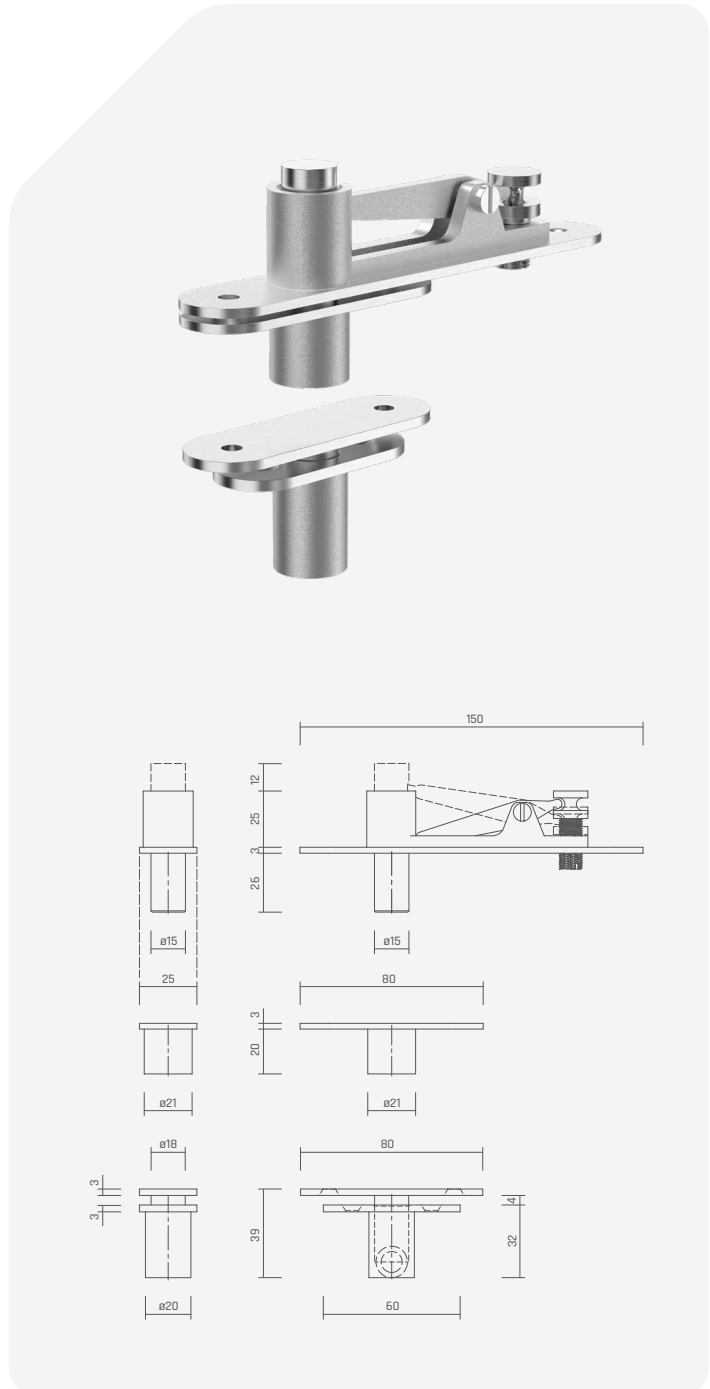
J1002

Entro J1002 heavy duty pivot hinge is a flush pivot hinge for single or double action doors. Suitable for doors with a minimum thickness of 35mm & maximum weight of 200kg.

Available in SSS & MBLK standards. Other coating finishes available on request.

Specifications

- 304 Grade Stainless Steel
- Suitable for Timber Doors
- Door thickness: Min 35mm
- Door weight: Max 200kg
- Rotation up to 360°
- Bottom pivot with supporting bearing
- Finish: SSS



J1002SSS

HEAVY DUTY PIVOT SET 200KG SSS