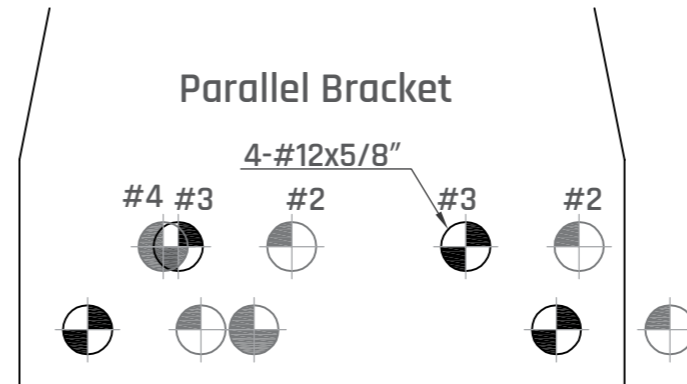


SIZE	A	B
#2	116	175
#3	131	200
#4	171	200

## PARALLEL ARM INSTALLATION FOR CLOCKWISE OPENING DOOR FOR ANTI CLOCKWISE OPENING DOOR SEE THE BACK PAGE

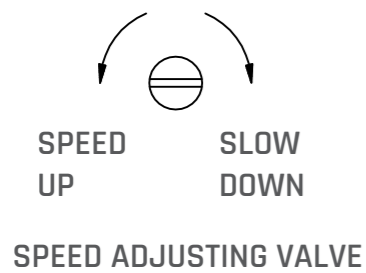
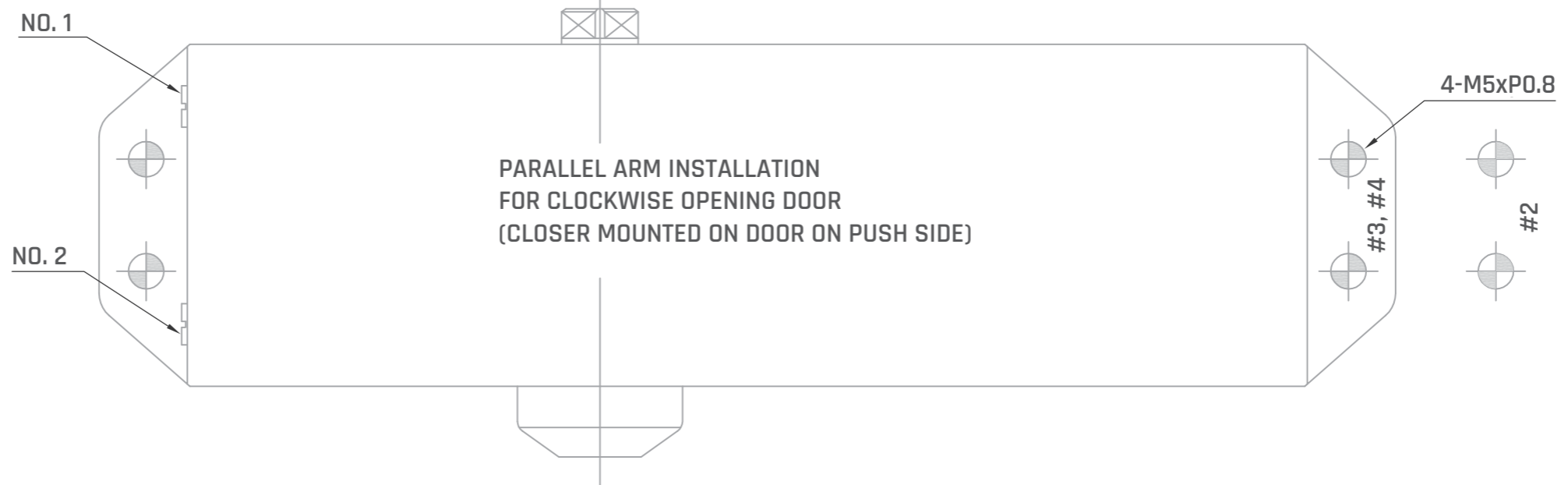
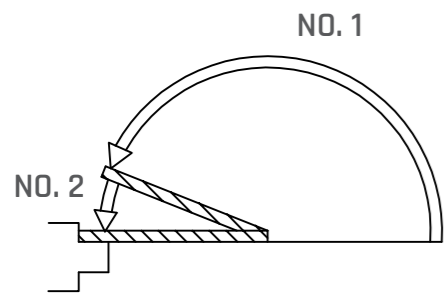


This face to underside  
of frame head

FOLD HERE

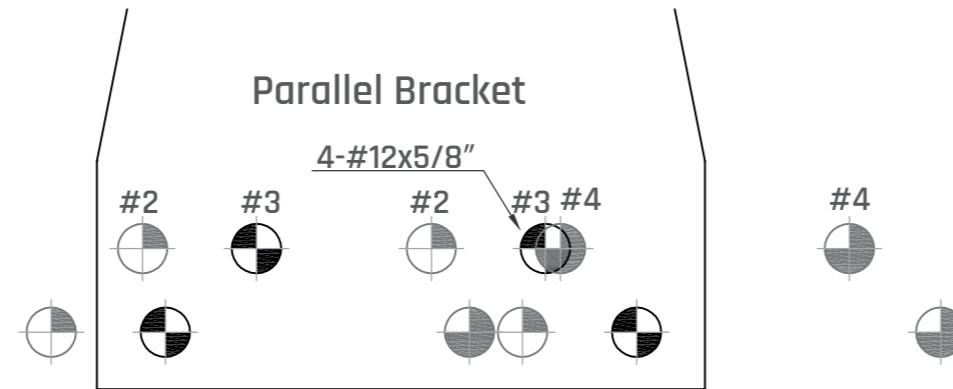
Set to underside of frame head

Set this end to  
the right of door

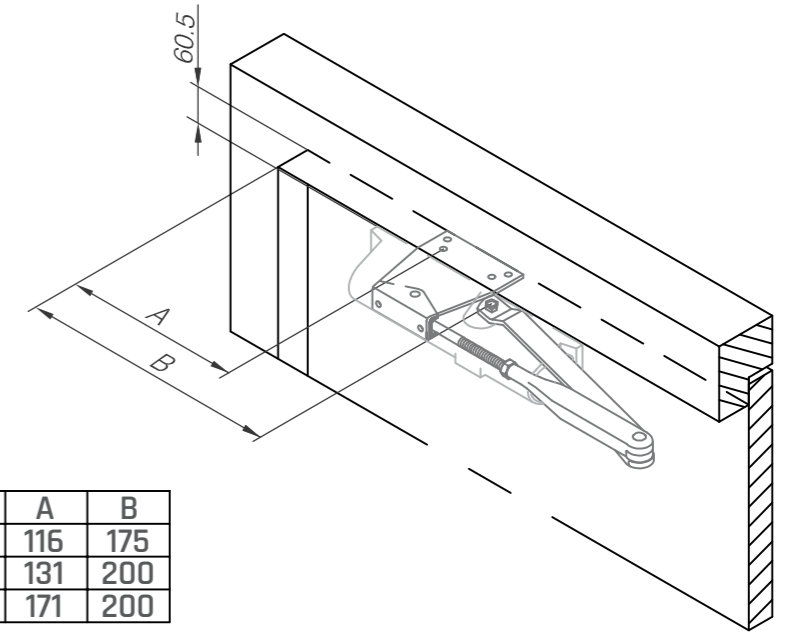


## PARALLEL ARM INSTALLATION FOR ANTI CLOCKWISE OPENING DOOR FOR CLOCKWISE OPENING DOOR SEE THE BACK PAGE

This face to underside  
of frame head



SIZE	A	B
#2	116	175
#3	131	200
#4	171	200



FOLD HERE

Set to underside of frame head

Set this end to  
the left of door

4-M5xP0.8

#2

#3, #4

PARALLEL ARM INSTALLATION  
FOR ANTI CLOCKWISE OPENING DOOR  
(CLOSER MOUNTED ON DOOR ON PUSH SIDE)

NO. 2

NO. 1

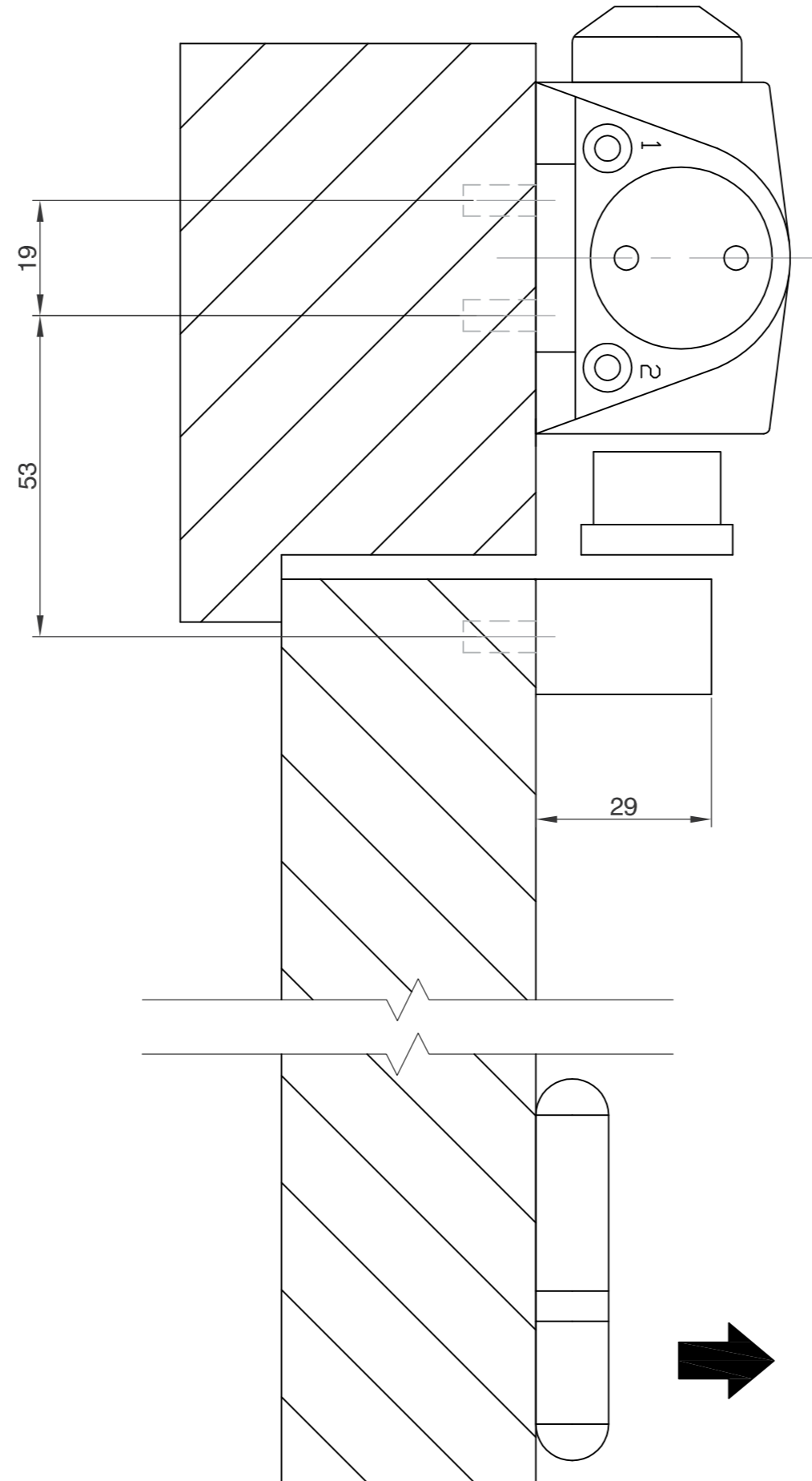
NO. 1

NO. 2

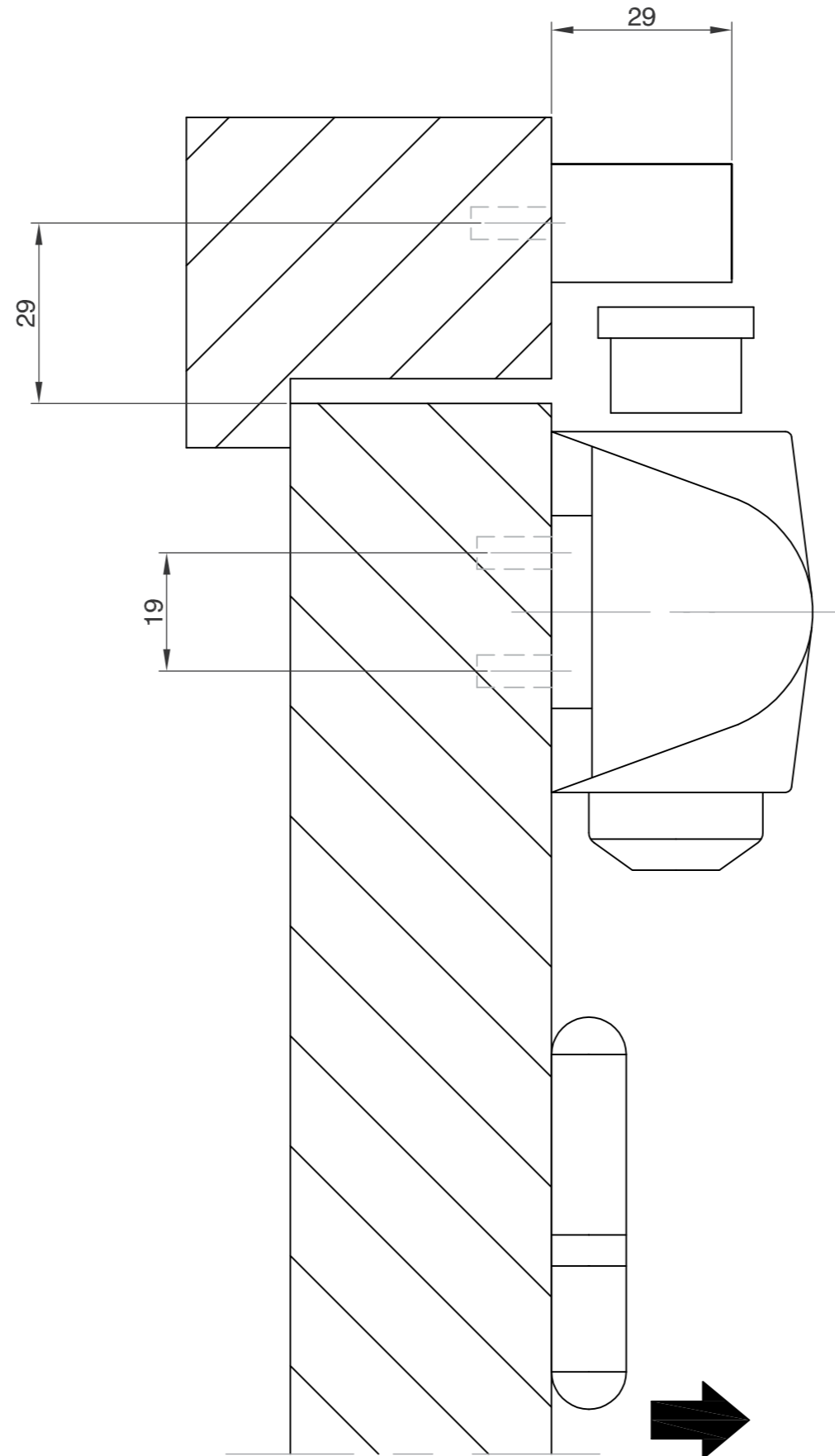
SPEED  
UP

SPEED  
DOWN

SPEED ADJUSTING VALVE



CAUTION - Pull Side Installation Only  
For Push Side Installation Order D0612  
Long Slide Rail.



CAUTION - Pull Side Installation Only  
For Push Side Installation Order D0612  
Long Slide Rail.