

GUARANTEE

This product is guaranteed against defects in workmanship and materials subject to fair wear and tear for a minimum period of two years from date of installation and assumes no liability for any of the following:

- Improper installation or failure to follow installation instructions.
- Failure due to improper maintenance.
- Indirect or inconsequential loss or damage.
- Cost of removal and/or replacement.
- Cost of freight and/or traveling time.

HANDING OF DOOR - BRITISH STANDARDS

RIGHT-HAND DOOR



LEFT-HAND DOOR



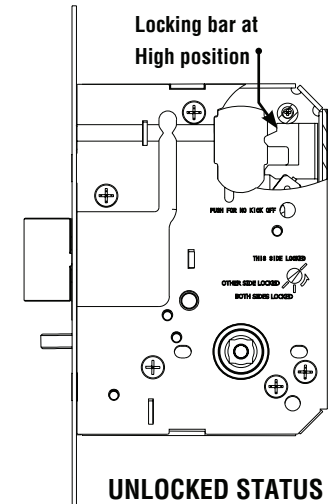
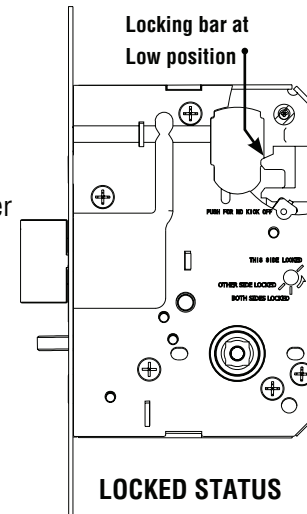
NOTE:

CASE DOES NOT NEED TO BE OPENED AT ANY TIME TO CHANGE FUNCTION OR HANDING OF LOCK

LOCK STATUS

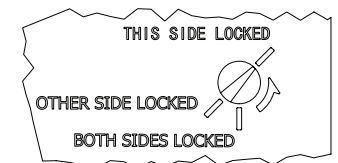
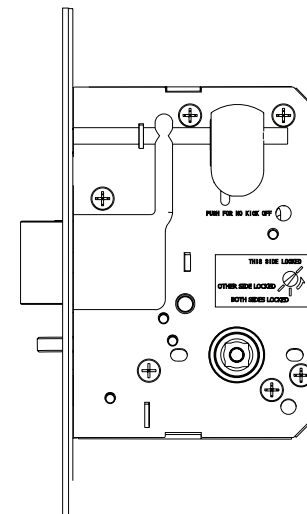
Check Lock Status before installation and change if required.

To UNLOCK - Remove cylinder hole dust cap and use a small flat blade driver to lift locking bar.



LOCK FUNCTIONS

Depending on the locking function required it can be set to any vestibule or combination lock status. To change the locking function, it is necessary to rotate the locking wedge with a small flat blade driver supplied to desired location. Refer to lock status on lock cover for detail.

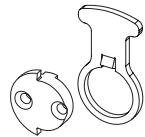


THIS SIDE LOCKED
for Left Hand Door

OTHER SIDE LOCKED
for Right Hand Door

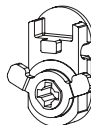
BOTH SIDES LOCKED
Warning! Not suit for Escape Door

EZ-CAM
Function: Cam Locks/Unlocks outside handle. outside handle free when unlocked. Inside handle free



EH-CAM
Function: Cam enables latch bolt to be held retracted. Rotate key/snib and press in latch to keep retracted and remove key. Rotate key/snib in opposite direction to release

EX-CAM
Function: Cam retracts bolt. Outside handle rigid. Inside handle free



EZ-ADAPTOR
Function: Allows turnsnib to lock and unlock door

EW-CAM
Function: Cam links with turn adaptor to unlock. Outside handle free when unlocked. Inside handle free



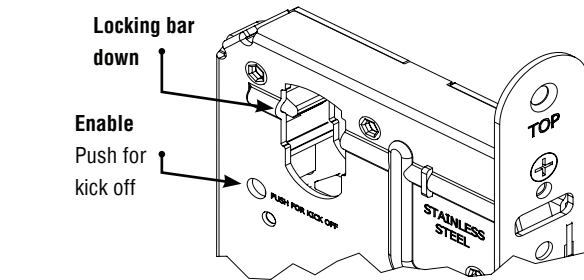
EX-ADAPTOR
Function: Allows turnsnib to retract latch

LOCK FUNCTIONS - VESTIBULE HANDING

Determine if kick off (anti-lockout) function is required.

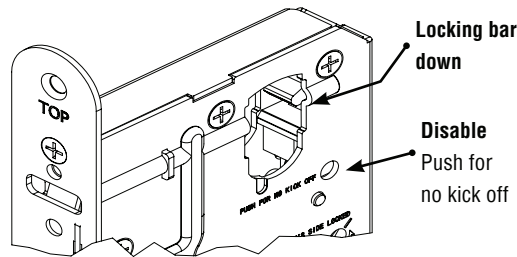
TO ENABLE KICK OFF FUNCTION

1. Ensure lock is in LOCKED STATUS
2. Depress slide where marked "PUSH FOR KICK OFF" with a small pin.



TO DISABLE KICK OFF FUNCTION

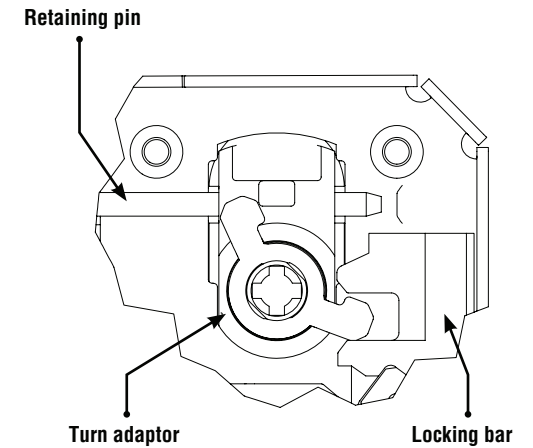
1. Ensure lock is in LOCKED STATUS
2. Depress slide where marked "PUSH FOR NO KICK OFF" with a small pin.



TURN ADAPTOR INSTALLATION

Turn adaptors are captive and must be installed correctly for proper operation.

1. Determine handing for adaptor.
2. Put lock into LOCKED STATUS by moving locking bar to down position.
3. Insert adaptor as illustrated, ensuring the cam plate is engaged in with locking bar.
4. Insert retaining pin and test operation, ensuring the locking bar is operating up and down with operation of cam.
5. Lock can now be left in UNLOCKED STATUS, locking bar UP until fully installed in door.

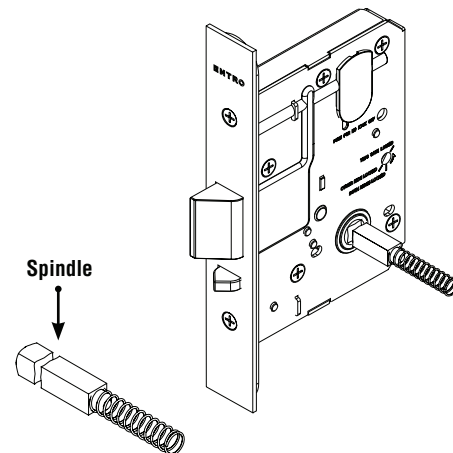


MORTICE INSTRUCTIONS

1. Determine center line and height of installation on door.
2. Place template on door and align with center line, mark and mortise area to desired depth.
3. Clean out mortise and insert lock case to check desired cavity size.
4. Fold template, align on door to center lines, mark and drill desired cylinder, spindle and screw holes from both sides.
5. Clean out mortise and install lock.
NOTE: REMOVE LOCK FROM DOOR BEFORE DRILLING

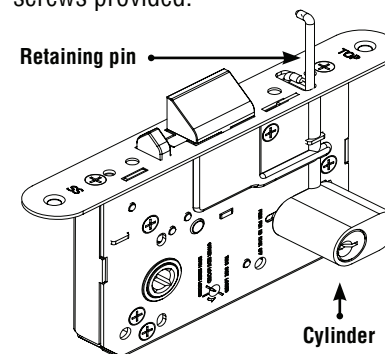
SPINDLE INSTALLATION

1. Attach spring to spindle.
2. Install spindle(s) into lock.



CYLINDER INSTALLATION

1. Remove plastic cylinder cover cap with small flat blade screwdriver.
2. Install lock in mortise and insert cylinder.
3. Insert retaining pin to secure cylinder. Ensure pin is flush with front plate.
4. Install face plate with two metal thread screws provided.



STRIKE INSTALLATION

1. Mark out frame for strike and strike box if applicable.
2. Install strike with screws provided.

