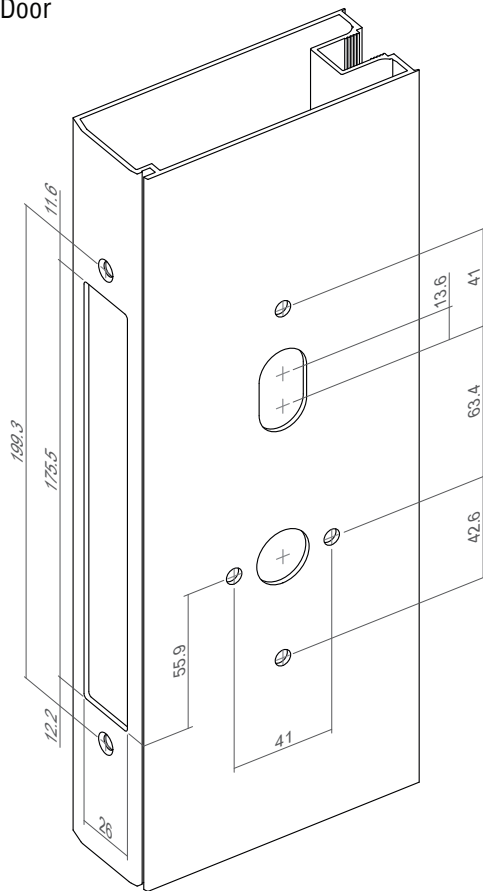
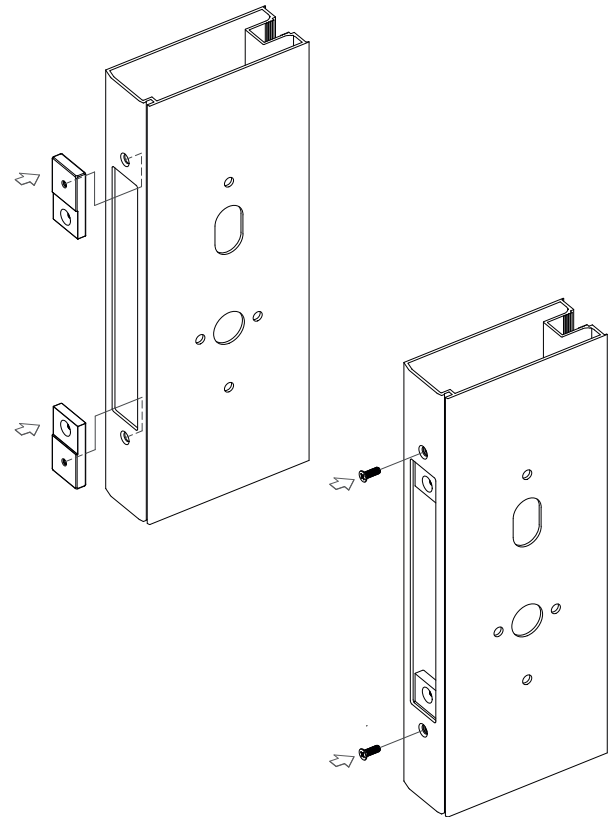


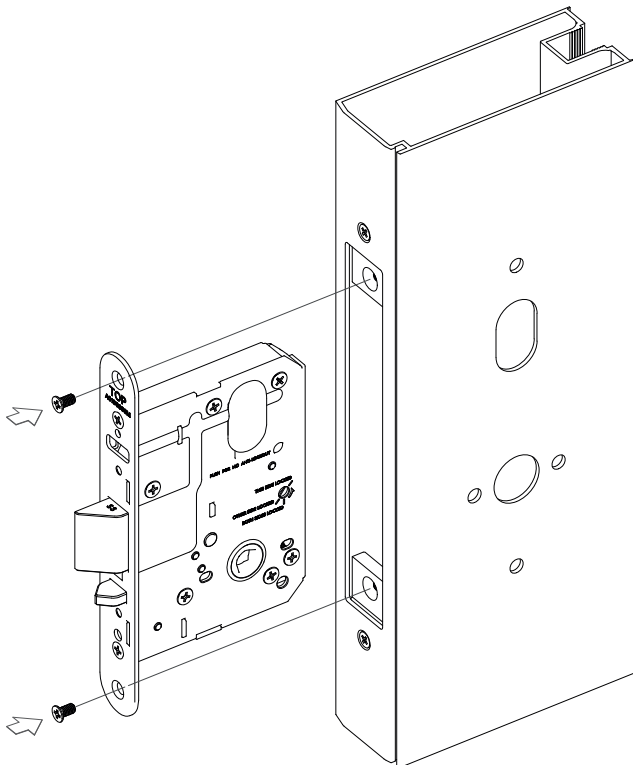
1. Prepare Door



2. Fit A0100AFM fixing tabs with screws provided



3. Install mortice lock with screws provided



4. Fit Mortice Lock Faceplate

