

INSTALLATION

Products should be installed by a licenced tradesperson with experience installing the specific type of hardware. Follow in detail the installation guide provided with the product. Products should be cleaned immediately after installation and on a regular basis thereafter. Please note: Unless maintenance of handles occurs accordingly to the below recommendations, the Entro Guarantee will be rendered void.

SSS MAINTENANCE

General cleaning

Stainless steel is best cleaned using a mild detergent and a soft cloth. It is important that harsh abrasives including steel wool or plastic scourers are never used. Cloths used must be free from grit or chemicals and always avoid vigorous rubbing. Strong mineral acids such as hydrochloric acid or bleach should never be used along with oil based commercial cleaners. After cleaned, rinse with clean water and wipe the surface dry with a soft absorbent cloth.

Maintenance

If handles are located in coastal locations the handles need to be cleaned on a regular basis (fortnightly-monthly). External handles installed in all other locations need to be cleaned 3-6 monthly. Internal handles are to be cleaned as required to maintain appearance.

ENDURIUM & POWDERCOAT MAINTENANCE

General cleaning

Coated handles are best cleaned using a mild detergent and a soft cloth. It is important that harsh abrasives including steel wool or plastic scourers are never used. Cloths used must be free from grit or chemicals and always avoid vigorous rubbing. Strong mineral acids such as hydrochloric acid or bleach should never be used along with oil based commercial cleaners. After cleaned, rinse with clean water and wipe the surface dry with a soft absorbent cloth.

Maintenance

External handles need to be cleaned 3-6 monthly. Internal handles are to be cleaned as required to maintain appearance.

TIMBER MAINTENANCE

General cleaning

Remove dust and dirt with a soft cloth, using a little water for any persistent marks. Do not apply large quantities of water, Strong mineral acid cleaners or bleaches. Wipe in the direction of the timber grain.

Maintenance

A compatible clear finish can be reapplied after a light sand to extend the longevity of the product. If you are aware of any excessive condensation check for structural issues and/or mould. For products intended for use where moisture may be present, such as external doors, a single pack polyurethane should be used instead at time of manufacture for extra protection. Please let us know if this is your intention.

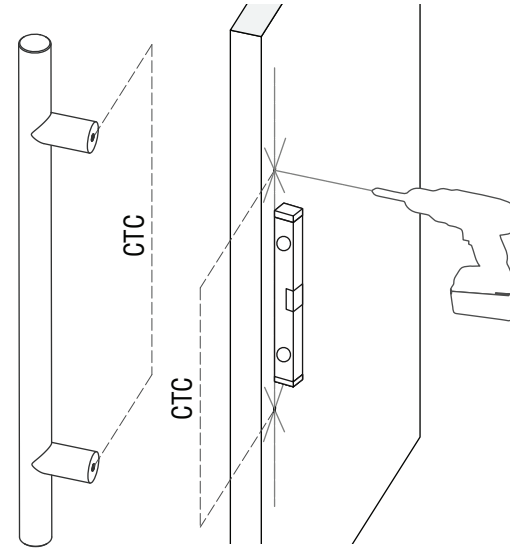
LEATHER MAINTENANCE

General cleaning

Clean with a soft, dry cloth. Avoiding rubbing in both directions. If leather becomes wet, leave to dry naturally.

Maintenance

Leather can be nourished and refreshed with a wax/silicone-free leather conditioner. A patch test should be done first to ensure the leather is not darkened.



DOOR PREPARATION

1. Measure the distance to and from the bottom of each fixing hole to determine exact dimension
2. Determine your nominated handle position on the door vertically & horizontally
3. Draw a vertical centreline using a spirit level at desired distance from door edge
4. Mark CTC on door ensuring centre lies on your marked centre point
5. Repeat steps 2-4 on other side of door for BTB fixing
6. Drill halfway through each side of the door to ensure holes are level & aligned

DRILLING DETAILS

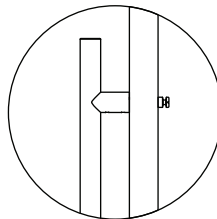
- Timber Door Fixings – Ø8mm
- Glass Door Fixings – Ø12mm
- Metal Door Fixings – Ø8mm
- Coach Screw Fixings - Ø6mm

INSERT BOLTS

1. Hold external handle firmly against the face of the door and screw in shoulder bolt

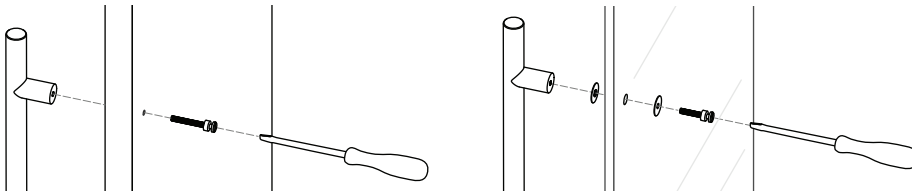
WARNING: DO NOT OVERTIGHTEN!

NOTE: Insert washers and bolt first for Glass Doors



TIMBER/METAL DOOR

GLASS DOOR



COMPLETE INSTALLATION

1. Slide internal handle onto bolt heads and hold firmly against door face
2. Tighten grub screws with hex key supplied
3. Once complete, clean handles thoroughly according to cleaning instructions

GUARANTEE

This product is guaranteed against defects in workmanship and materials subject to fair wear and tear and assumes no liability for any of the following:

- Improper installation or failure to follow installation instructions
- Failure due to improper maintenance
- Indirect or inconsequential loss or damage
- Cost of removal and/or replacement
- Cost of freight and/or traveling time