

**REX**

# Pipe Cutter Parts List



C2 Cutter



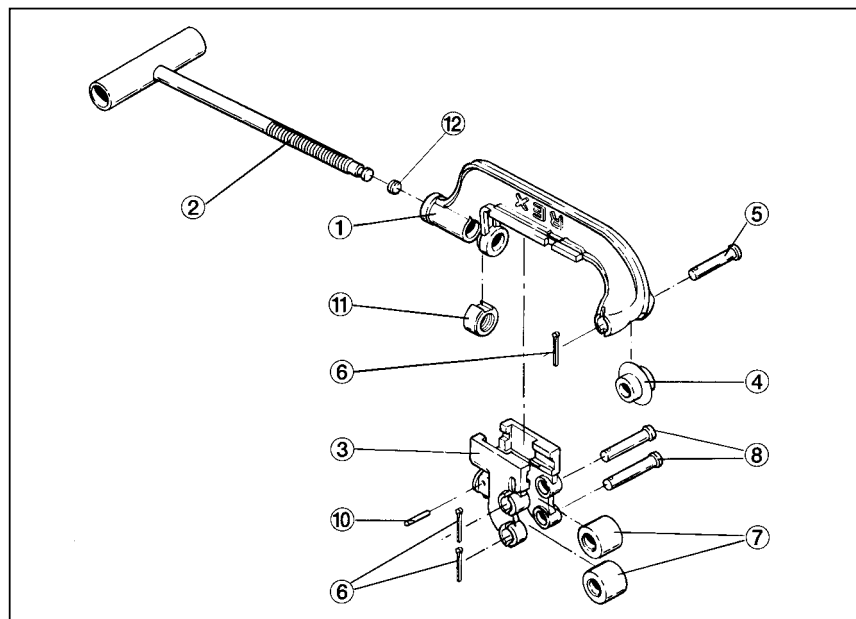
CM 50RB *NEW!*

## Contents

1. Pipe cutter C1/C2/C3
- 2 . Pipe cutter C4
- 3 . CM40/50 cutter
- 4 . CM50 RB cutter

**REX**

## Pipe cutter C1/C2/C3



### C1 Cutter

No.	Parts No.	Parts name	Qty.	Remarks
1	P101	Body	1	
2	P103	Handle	1	
3	P102	Guide	1	
4	13P105	C1/C2 Cutter wheel	1	See the product list
5	P107	Cutter pin	1	
6		Spring cotter (#2.3×25)	3	
7	P108	Roller	2	
8	P107	Cutter roller pin	2	
10		Taper pin	1	
11	P110	Nut	1	
12	P109	Thrust ring	1	

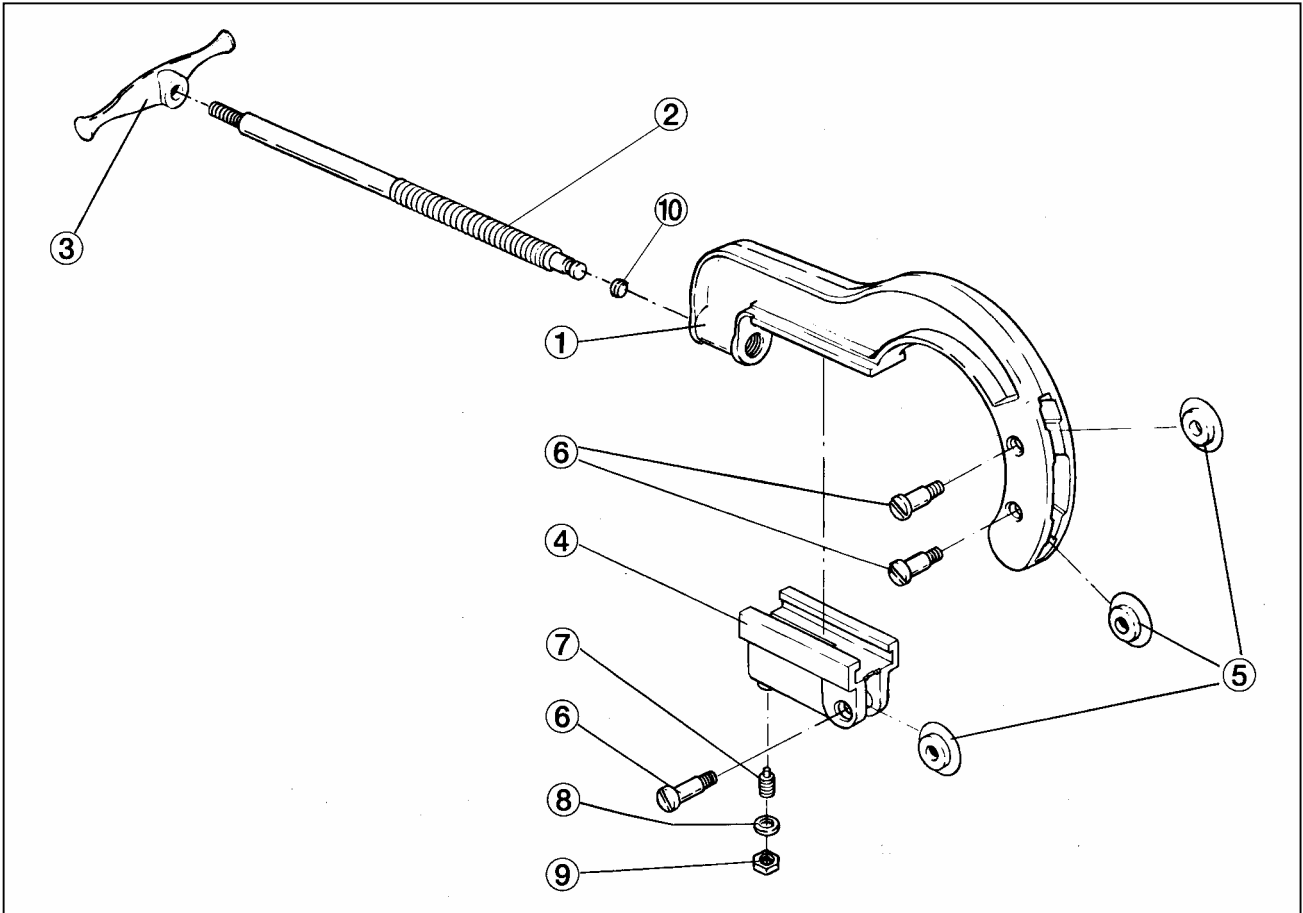
### C2 Cutter

No.	Parts No.	Parts name	Qty.	Remarks
1	P201	Body	1	
2	P203	Handle	1	
3	P202	Guide	1	
4	13P105	C1/C2 Cutter wheel	1	See the product list
5	P107	Cutter pin	1	
6		Spring cotter (#2.3×25)	3	
7	P208	Roller	2	
8	P107	Cutter roller pin	2	
10		Taper pin	1	
11	P210	Nut	1	
12	P209	Thrust ring	1	

### C3 Cutter

No.	Parts No.	Parts name	Qty.	Remarks
1	P301	Body	1	
2	P303	Handle	1	
3	P302	Guide	1	
4	13P305	C3 Cutter wheel	1	See the product list
5	P107	Cutter pin	1	
6		Spring cotter (#2.3×25)	3	
7	P308	Roller	2	
8	P311	Roller pin	2	
10		Taper pin	1	
11	P310	Nut	1	
12	P309	Thrust ring	1	

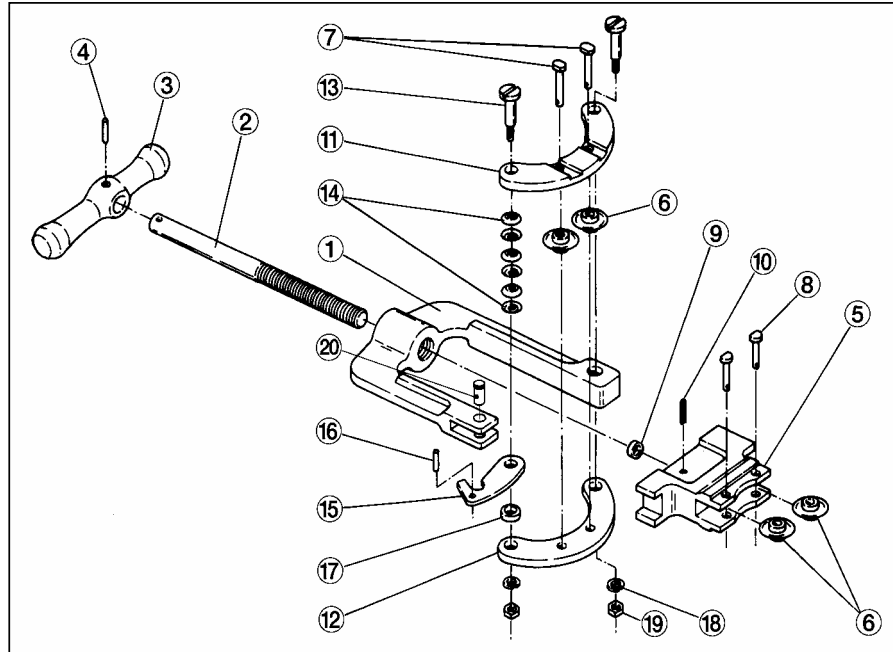
# Pipe cutter C4



## C4 Cutter

No.	Parts No.	Parts name	Qty.	Remarks
1	P401	Body	1	
2	P403	Feed screw	1	
3	P408	Handle	1	
4	P402	Guide	1	
5	13P405	C4 Cutter wheel	3	See the product list
6	P407	Cutter pin	3	
7	W892	Hex socket set screw (long dog point M10x22)	1	
8		Flat washer (10)	1	
9	WD10	Hex nut (M10)	1	
10	P309	Thurust ring	1	

# Pipe cutter CM40/50



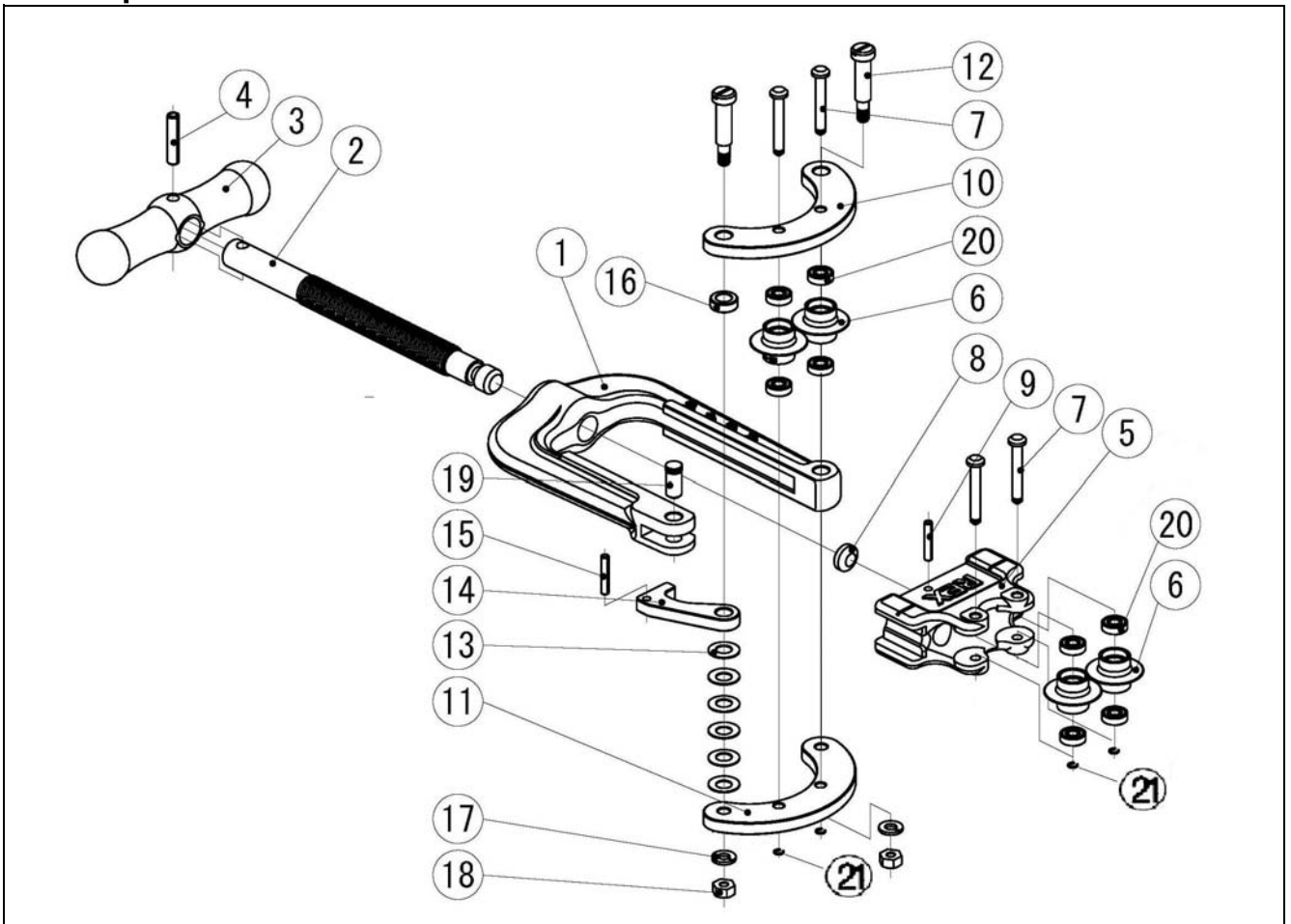
## CM40 Cutter

No.	Parts No.	Parts name	Qty.	Remarks
1	CT01	Body	1	
2	CT22	Feed screw	1	
3	CT04	Handle	1	
4	WL66	Roll pin (6x30)	1	
5	CT02	Guide	1	
6	13P700	CM40 Cutter wheel	4	See the product list
7	CT07	Cutter pin S with ring	2	
8	CT08	Cutter pin L with ring	2	
9	CT14	Thurust ring	1	
10	WL43	Roll pin (4 x 22)	1	
11	CT05	Cutter plate (A)	1	
12	CT06	Cutter plate (B)	1	
13	CT10	Cutter plate pin	2	
14		Disc spring (8)	6	
15	CT11	Hook	1	
16	WL47	Roll pin (4 x 25)	1	
17	CT12	Hook collar (A)	1	
18	WG05	Spring washer (6)	2	
19	WC06	Hex nut (M6)	2	
20	CT13	Hook pin	1	

## CM50 Cutter

No.	Parts No.	Parts name	Qty.	Remarks
1	CT20	Body	1	
2	CT22	Feed screw	1	
3	CT04	Handle	1	
4	WL66	Roll pin (6x30)	1	
5	CT21	Guide	1	
6	13P710	CM50 Cutter wheel	4	See the product list
7	CT07	Cutter pin S with ring	2	
8	CT08	Cutter pin L with ring	2	
9	CT14	Thurust ring	1	
10	WL43	Roll pin (4 x 22)	1	
11	CT23	Cutter plate (A)	1	
12	CT24	Cutter plate (B)	1	
13	CT10	Cutter plate pin	2	
14		Disc spring (8)	6	
15	CT11	Hook	1	
16	WL47	Roll pin (4 x 25)	1	
17	CT12	Hook collar (A)	1	
18	WG05	Spring washer (6)	2	
19	WC06	Hex nut (M6)	2	
20	CT13	Hook pin	1	

# Pipe cutter CM RB50



## CM RB50 Cutter

No.	Parts No.	Parts name	Qty.	Remarks
1	CU20	Body	1	
2	CU22	Feed screw	1	
3	CT04	Handle	1	
4	WL65	Roll pin (6x28)	1	
5	CU21	Guide	1	
6		CM RB50 Cutter wheel	4	See the product list
7	CU07	Cutter pin with ring	4	with No.21 ring
8	CT14	Thurust ring	1	
9	WL43	Roll pin (4 x 22)	1	
10	CU23	Cutter plate (A)	1	
11	CU24	Cutter plate (B)	1	
12	CT10	Cutter plate pin	2	
13		Disc spring (8)	6	
14	CT11	Hook	1	
15	WL43	Roll pin (4 x 22)	1	
16	CT12	Hook collar (A)	1	
17	WG05	Spring washer (6)	2	
18	WC06	Hex nut (M6)	2	
19	CT13	Hook pin	1	
20	KM23	Ball bearing 695ZZ (5x13x4)	8	
21		Cutter pin ring	4	See No.7