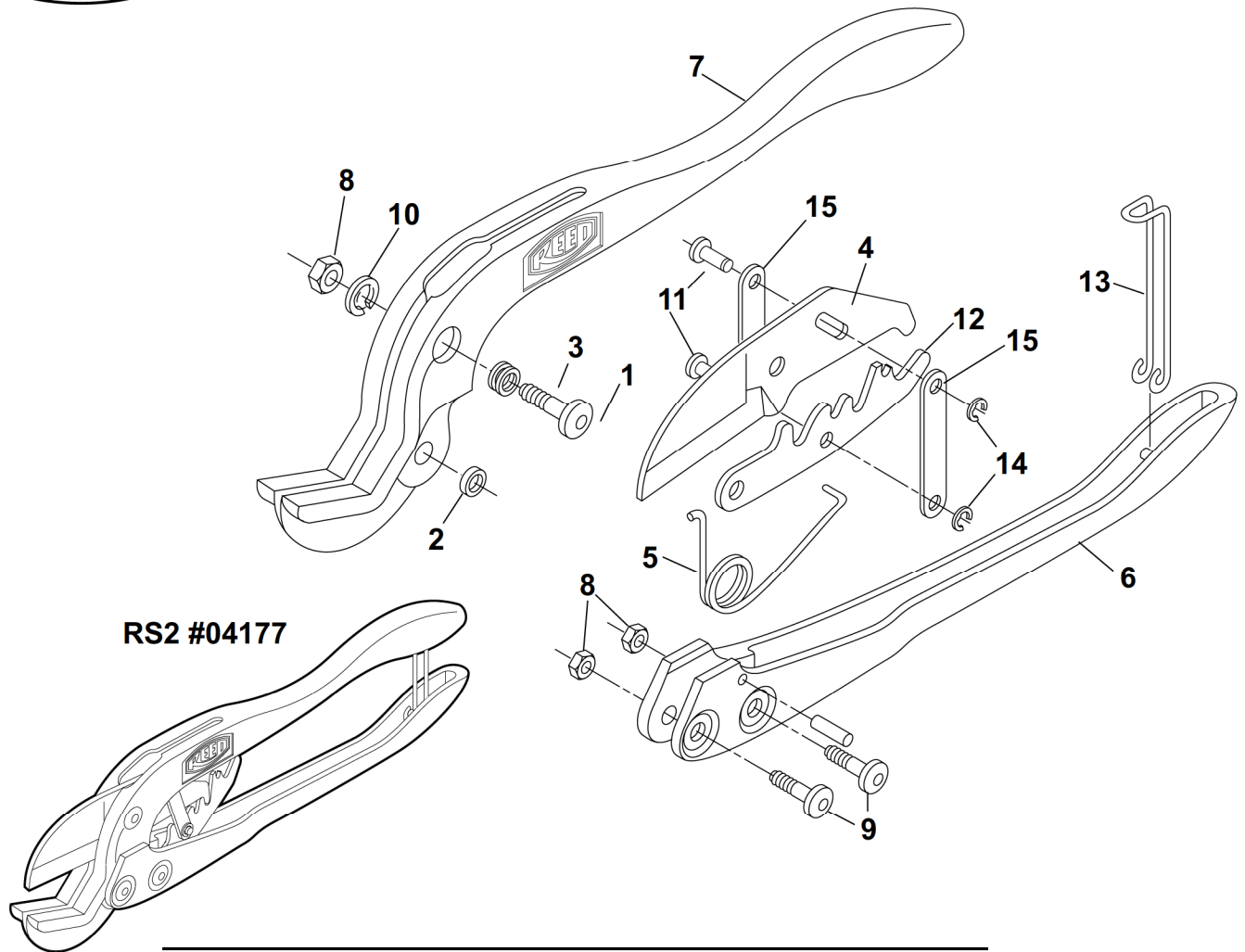




2" Ratchet Shears for Plastic (RS2)

Replacement Parts



RS2 #04177

Parts List

Ref. No.	Description	Item Code	Cat. No.	Qty. Used
1	Pivot Bolt	40102	RS2-BPB	1
2	Bushing	40163	RSF1351-2	1
3	Compression Spring	40106	RS2-BS	1
4	Blade	94176	RS2-B	1
5	Ratchet Spring	40164	RS2-S	2
6	Handle	94173	RSF1302-2	1
7	Body	94174	RSF1301-2	1
8	Handle Nut	40103	FJN 5/16-24	3
9	Handle Screw	40346	RS2-HS	2
10	Lock Washer	30193	FLW 5/16A	1
11	Rivet	40101	RSF1366-2	2
12	Ratchet	94184	RSF1313-2	1
13	Bail	40162	RSF-1336-2	1
14	Clip	40195	FRR5144-21W	1
15	Side Plate	94183	RSF1306-2	2

94179 repair kit includes: 1 ratchet spring (#5), 2 side plates (#15), 2 rivets (#11), and 2 clips (#14).

94178 ratchet assembly includes: 1 ratchet (#12), 1 ratchet spring (#5), 2 side plates (#15), 2 rivets (#11) and 2 clips (#14).

Reed Manufacturing Co.
1425 West 8th St.
Erie, PA 16502 U.S.A.



Phone: 800-666-3691 or 814-452-3691
Fax: 800-456-1697 or 814-455-1697