

plumBOSS COPPER TUBE BENDERS

FOR LIGHT GAUGE AND DOMESTIC TUBE

This Bender is suitable for use with Hard and Half Hard Copper Tubes with 15mm (1/2") and 20mm (3/4") models available in I.D. and O.D. dimensions.

90 Degree and 45 Degree Bends can be formed by bending firmly to the respective indicators on the forming Head.

To prefabricate bends to specific measurements note the diagrams below. The guideline specifications are also stamped on the face of the bender Head.

An extremely strong alloy to B.S. D.T. 5008 is used on the bender head and fork, to ensure a long life and light weight.

Knurled handles assist grip, making the bender easy to control. The two handles readily separate for quick loading and also allow for working in confined spaces.

The nylon guide ensures a smooth finish and has proved an ideal material for over 25 years.

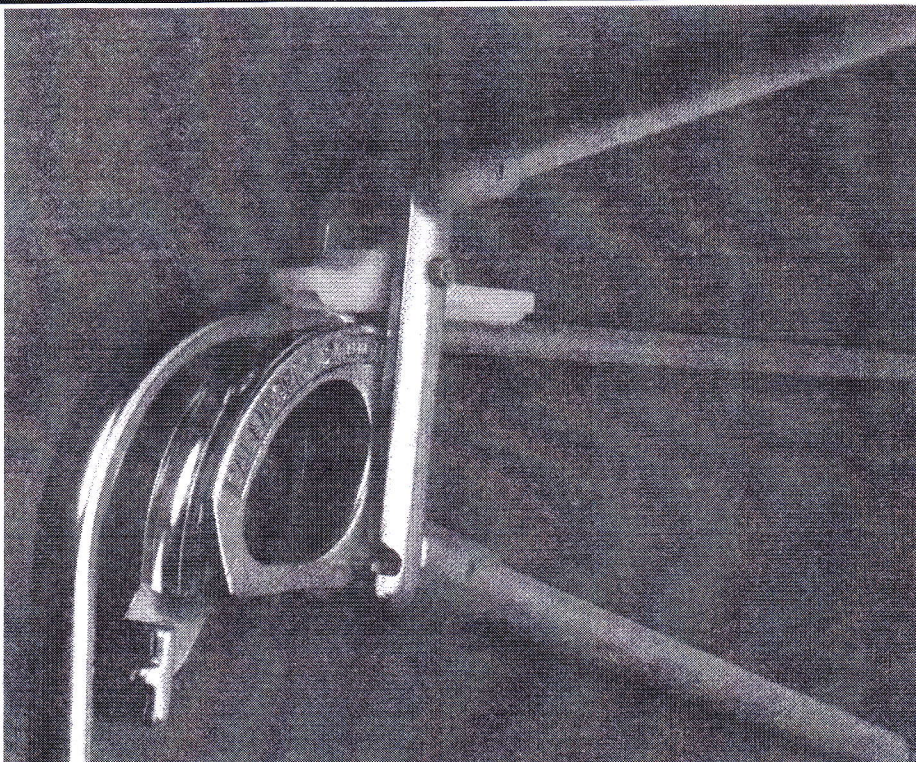


FIG A Normal approach for bending.

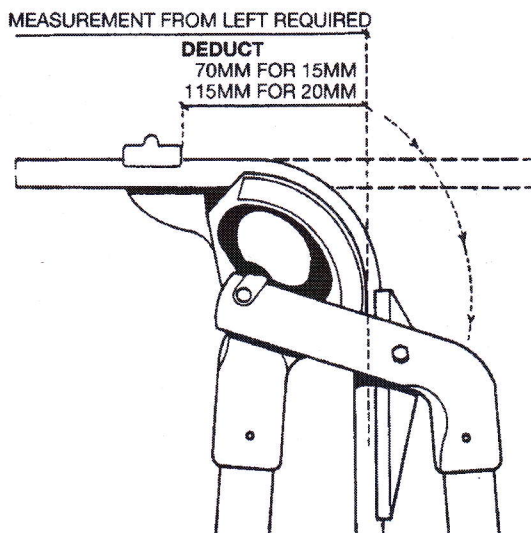
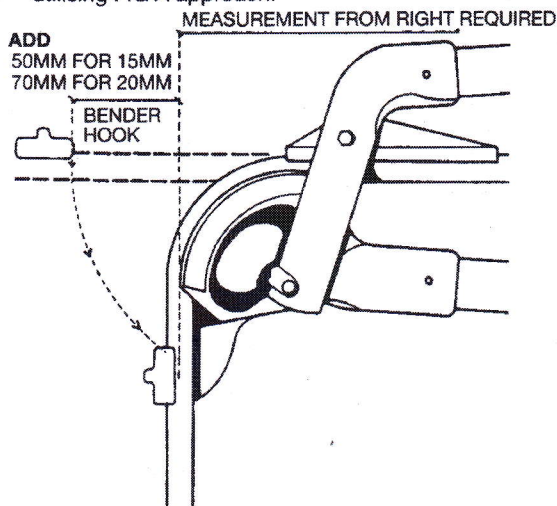


FIG B This method can be used for confined or fixed tube situations, otherwise head can be reversed on tube utilising FIG A approach.



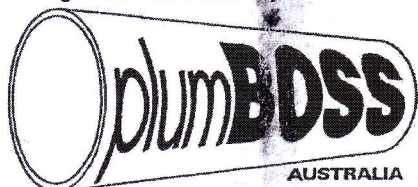
When measuring from left FIG (A) - 15mm Bender 'Deduct' 70mm
20mm Bender 'Deduct' 115mm

When measuring from right FIG (B) - 15mm Bender 'Add' 50mm
20mm Bender 'Add' 70mm

After deduction or addition as above, mark the tube and place mark on the inside of the bender hook.

For best results, before bending, lubricate nylon guide with oil or water.

Distributed throughout Australia by:



Ph 07 3373 3500

Fax 07 3373 3533