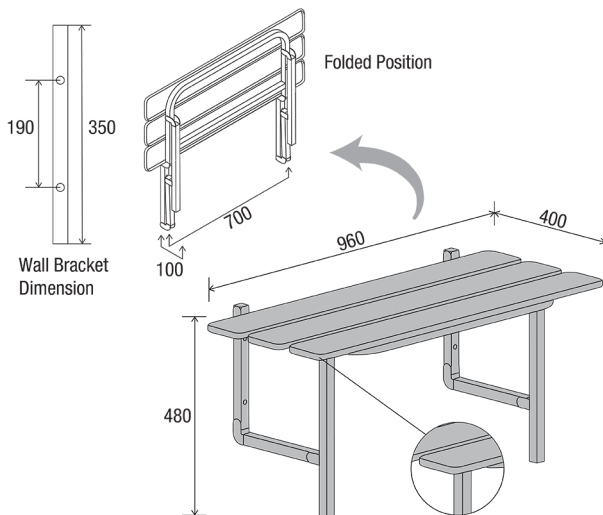


PRODUCT INFORMATION

DIMENSIONS



Rounded stainless steel safety edge

INDICATIVE IMAGE



SLATTED SHOWER SEAT

Product Code - Finish

- SS 964 MB ME - Matte Black

Product Code - Other Finishes

- SS 964 SS ME - Satin Supreme™
- SS 964 WT ME - White
- Other colours available with price on application (P.O.A.)

Features

- 960 mm x 400 mm x 480 mm folding shower seat
- Maximum load 160 Kg
- Mount seat deck 470 mm to 480 mm above finished floor level
- Fabricated from 304 stainless steel
- Rounded safety edge slatted seat deck
- Stainless steel fixings screws supplied
- Matte Black powder coat finish

Compliance

- Complies with the minimum design, strength and dimension requirements of AS 1428.1-2009



Warranty

See Con-Serv warranty policy for full details.

CON-SERV CORPORATION AUSTRALIA PTY. LTD.

17 Glentanna Street, Kedron · Qld. 4031 Australia

Phone: +61 (0)7 3630 5744 · Fax: +61 (0)7 3630 5755 · Email: mail@con-serv.com.au · www.con-serv.com.au