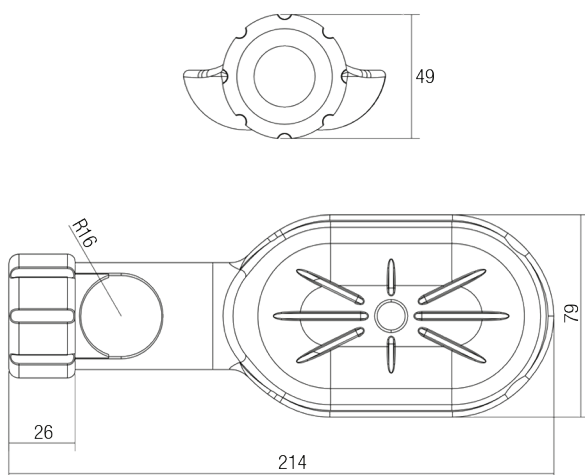
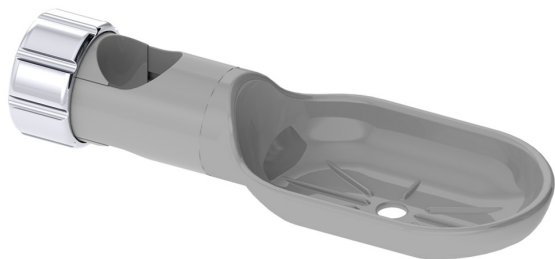


DIMENSIONS



INDICATIVE IMAGE



GRAB RAIL SOAP DISH HOLDER

Product Code - Finish

- SD 032 GYC - Grey/Chrome

Product Code - Other Finishes

- SD 032 BLC - Black/Chrome
- SD 032 WT - White
- SD 032 SC - Satin Completely
- SD 032 WTG - White/Gold

Features

- Fastens to 32 mm grab rail
- ABS construction
- Grey body and soap dish
- Chrome plated lock nut

Compliance

- Not required for sale

Warranty

See Con-Serv warranty policy for full details.

CON-SERV CORPORATION AUSTRALIA PTY. LTD.

17 Glentanna Street, Kedron · Qld. 4031 Australia

Phone: +61 (0)7 3630 5744 · Fax: +61 (0)7 3630 5755 · Email: mail@con-serv.com.au · www.con-serv.com.au