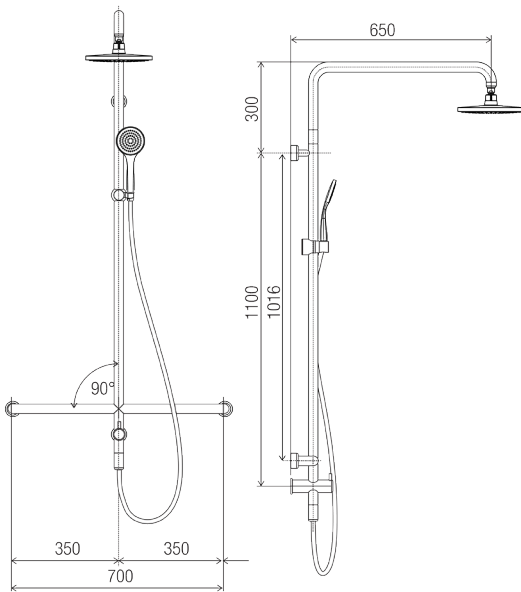


**DIMENSIONS**



**INDICATIVE IMAGE**



Drawn MF (Middle Fix)

**COSMIC/STREAMJET™ LINEAR TWIN WATERS™**

**Product Code - Finish**

- LT 071CJ PS M65 - Polish Supreme

**Features**

- ABS 256 mm rainmaker shower with rub-clean spray diffusor
- ABS 100 mm single function shower with rub-clean spray diffusor
- Stainless steel 1100 mm x 700 mm Ø to Ø 32 mm grab rail featuring HYGIENIC SEAL® flange covers
- Stainless steel 600 mm swivel arm
- Diverter switchcock valve (BOTTOM INLET) with FLOW INTERCHANGE® SPIGOT
- Independently operating check valves
- Brass friction slide cradle for handset support and height adjustment
- PVC 1500 mm Silverflex™ hose with ½" BSP swivel conical end nut
- Inside of grab rail has been cleaned and free of unsanitary oil and dirt produced through fabrication processes
- Stainless steel fixings supplied
- Polish Supreme finish
- Full pattern spray



**Compliance**

- Watermark AS/NZS 3662 WMKT 21147
- 3 Star - 9L/min as per WELS licence number 0046
- Complies with clause 17 of AS 1428.1-2009 for design and construction of grab rails
- Complies with clause 15.5.4 of AS 1428.1-2009 for sanitary facilities



**Warranty**

See Con-Serv warranty policy for full details.

**CON-SERV CORPORATION AUSTRALIA PTY. LTD.**

17 Glentanna Street, Kedron · Qld. 4031 Australia

Phone: +61 (0)7 3630 5744 · Fax: +61 (0)7 3630 5755 · Email: mail@con-serv.com.au · www.con-serv.com.au