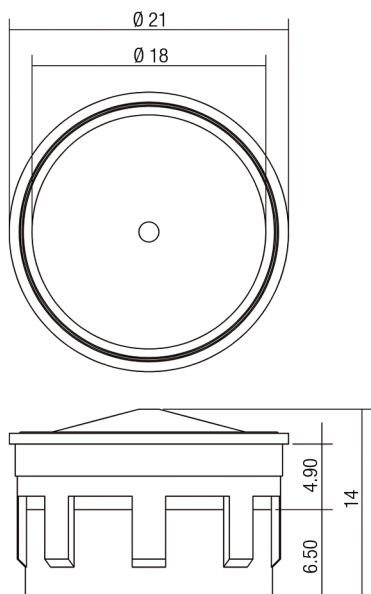
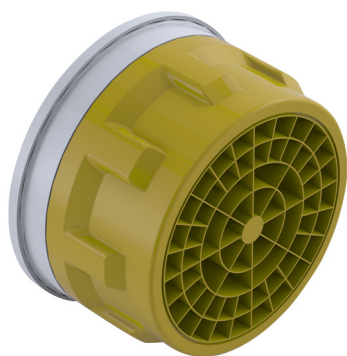


DIMENSIONS



INDICATIVE IMAGE



CLINIC COLOUR CODED AERATORS

Product Code - Finish

- AF 5CLL YE - Yellow

Features

- Laminar (non-aerated), splash free, crystal clear flow
- Colour coded to support a maintenance cycle

Compliance

- Watermark AS 5200.037.2 WMKA 00667
- 5 Star - 6 L/min as per WELS licence number 0046

Warranty

See Con-Serv warranty policy for full details.

CON-SERV CORPORATION AUSTRALIA PTY. LTD.

17 Glentanna Street, Kedron · Qld. 4031 Australia

Phone: +61 (0)7 3630 5744 · Fax: +61 (0)7 3630 5755 · Email: mail@con-serv.com.au · www.con-serv.com.au