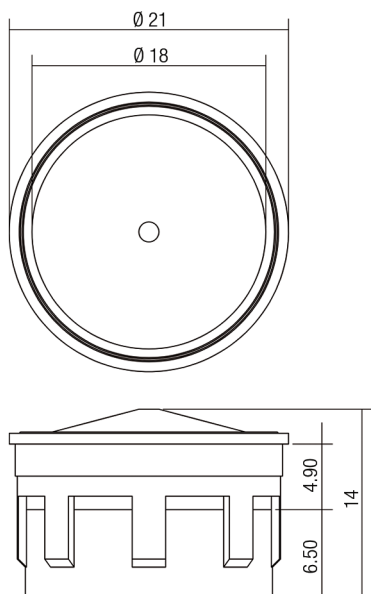
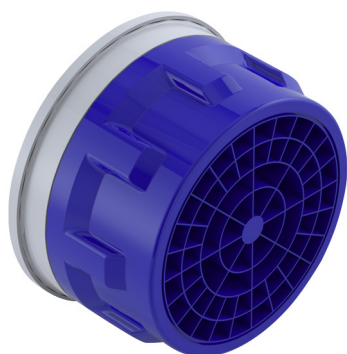


**DIMENSIONS**



**INDICATIVE IMAGE**



**CLINIC COLOUR CODED AERATORS**

**Product Code - Finish**

- AF 5CLL BE - Blue

**Features**

- Laminar (non-aerated), splash free, crystal clear flow
- Colour coded to support a maintenance cycle

**Compliance**

- Watermark AS 5200.037.2 WMKA 00667
- 5 Star - 6 L/min as per WELS licence number 0046

**Warranty**

**See Con-Serv warranty policy for full details.**

**CON-SERV CORPORATION AUSTRALIA PTY. LTD.**

17 Glentanna Street, Kedron · Qld. 4031 Australia

Phone: +61 (0)7 3630 5744 · Fax: +61 (0)7 3630 5755 · Email: [mail@con-serv.com.au](mailto:mail@con-serv.com.au) · [www.con-serv.com.au](http://www.con-serv.com.au)