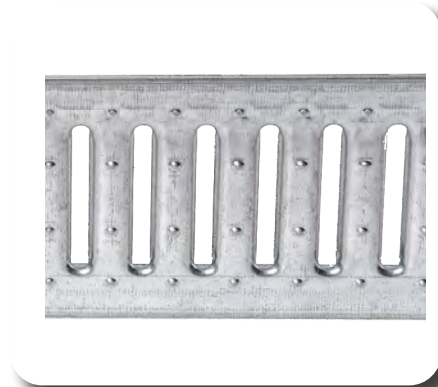
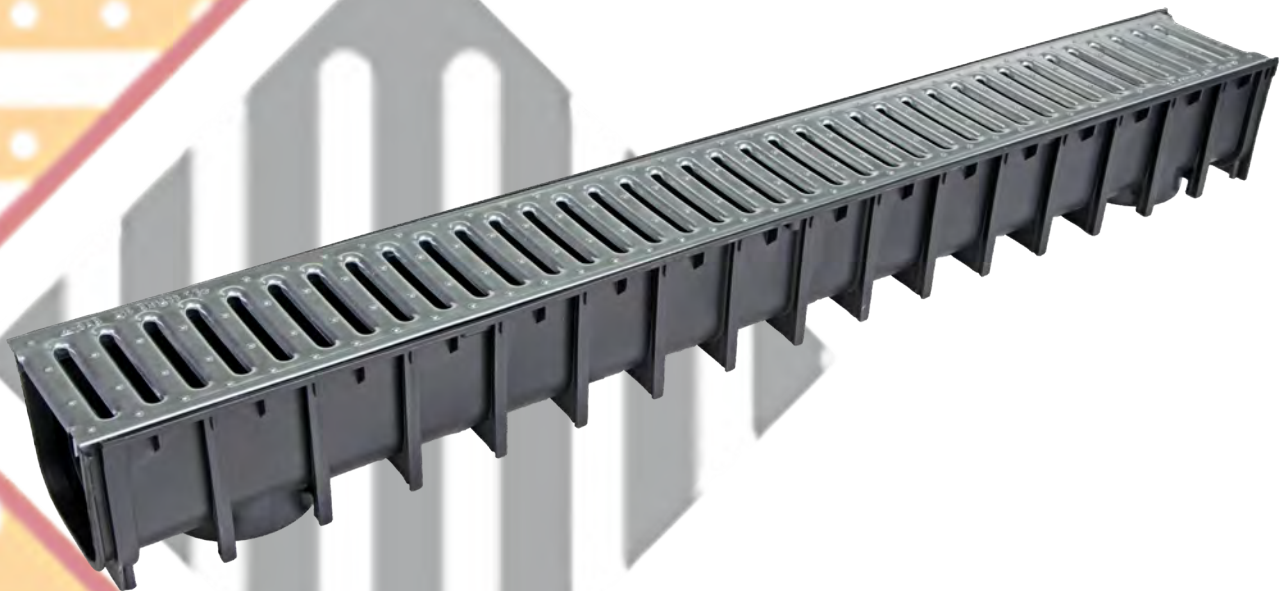




**SAB** drain  
water drainage systems

# 508 DIY GRATED DRAINAGE CHANNEL KIT



The details that make the difference.....

# DIY DRAINAGE CHANNEL

SABDrain 508 is a durable, lightweight and easily installed drainage channel developed for the DIY market, rated to withstand a 1.5 tonne wheel loading. This pressed metal grated channel, has a range of features to compliment it. Due to its edgeless design, this channel is ideal for paving and tiling applications. The galvanised slotted pressed metal grate utilises a click-clack fixing system allowing quick and easy access to the drainage system.



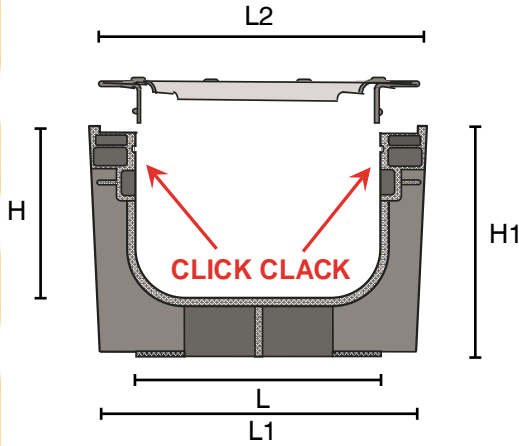
Residential



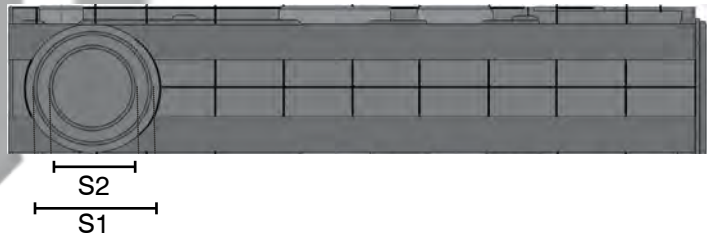
Class A

SABDRAIN 508							
SIZE	L	H	L1	H1	L2	A	CM <sup>2</sup>
100 x 100	100	100	125	117	143	1000	260
SABDRAIN	D1	D2	D3	D4	D5	S1	S2
100 x 100	63	90	63	90	100	100	80

END PROFILE



BOTTOM PROFILE



SIDE PROFILE

