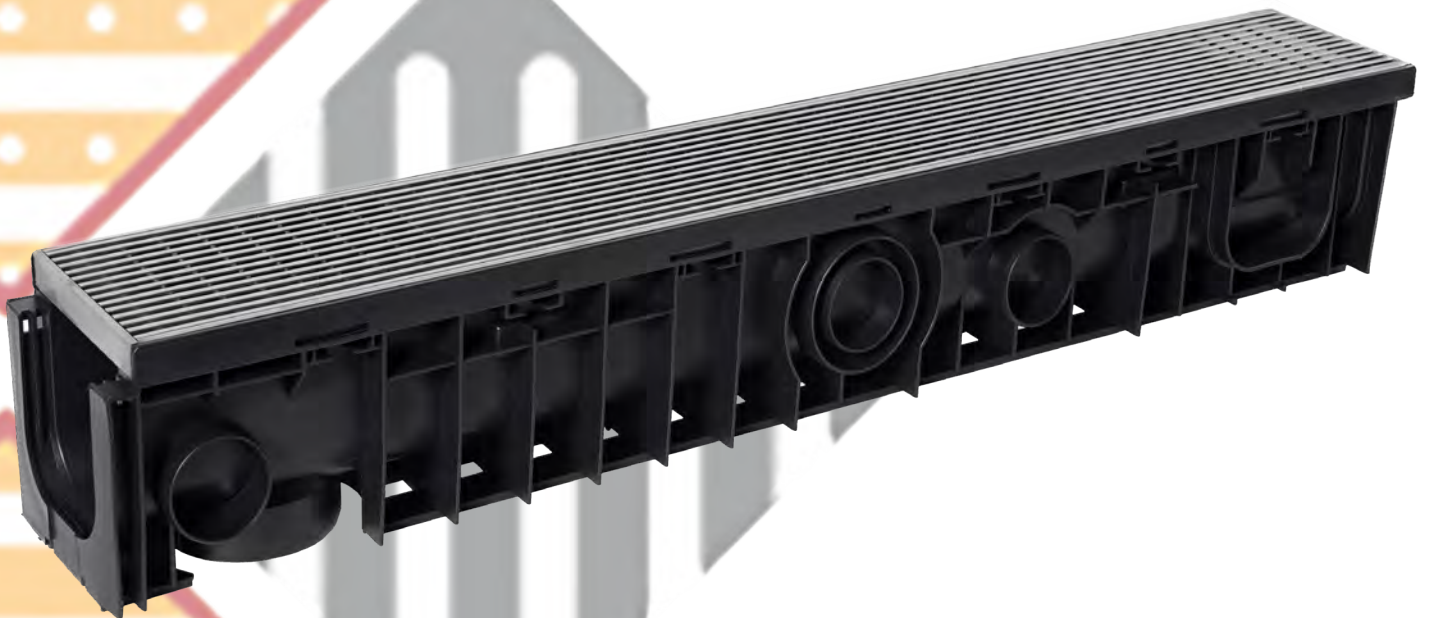




SAB drain
water drainage systems

901 STAINLESS STEEL GRATED CHANNEL



The details that make the difference.....

CLASS A STAINLESS STEEL DRAINAGE CHANNEL

SAB900 Elite Range has been developed for the high end architectural market incorporating a 304 stainless steel wedge wire heel guard type grate design that is both stylish and appealing while still being able to meet the requirements of the industry. This rated polypropylene channel offers the maximum versatility while delivering a lifetime of low maintenance.



Residential



Class A



Heel Guard

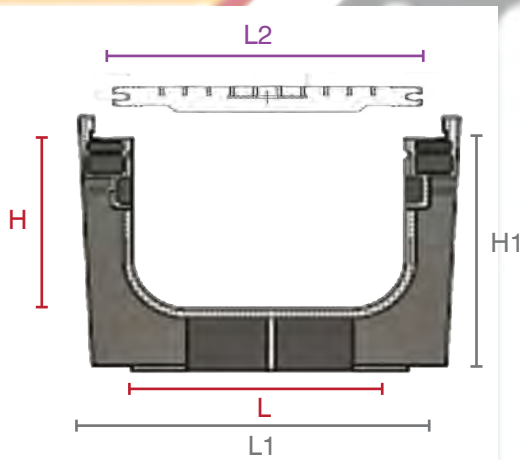


Anti-Slip

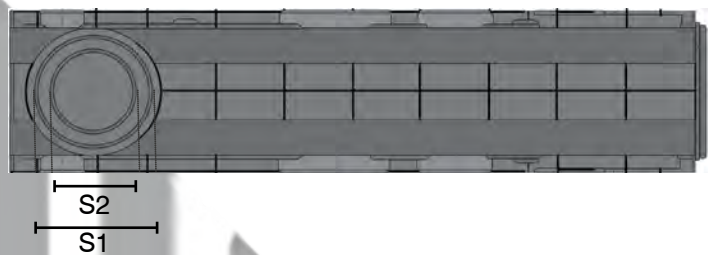


Lockdown

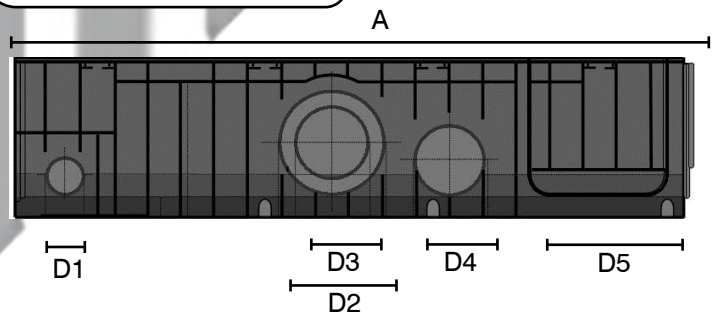
END PROFILE



BOTTOM PROFILE



SIDE PROFILE



SABDRAIN 901, 902															
CODE	L	H	L1	H1	L2	Drain cm ²	D1	D2	D3	D4	D5	S1	S2	A	Kg
DR901100100 DR902100100	100	100	150	150	145	837	63	90	63	90	100	110	63	1000	7.5
DR901100150 DR902100150	100	150	150	200	145	837	63	90	63	90	100	110	63	1000	7.9
DR901150150 DR902150150	150	150	200	200	195	1139	63	110	63	110	150	110	63	1000	9.8
DR901200100 DR902200100	200	100	250	150	245	1674	63	90	110	110	200	160	110	1000	10.6
DR901200150 DR902200150	200	150	250	200	245	1674	63	110	63	110	200	160	110	1000	11.1
DR901200200 DR902200200	200	200	250	250	245	1674	63	160	110	110	200	160	110	1000	11.6
DR901200250 DR902200250	200	250	250	300	245	1674	63	160	110	110	200	160	110	1000	12.1
DR901200300 DR902200300	200	300	250	350	245	1674	63	160	110	110	200	160	110	1000	12.6

