



SAB drain
water drainage systems

706 GRANDE CAST IRON GRATED CHANNEL



The details that make the difference.....

CLASS G CAST IRON GRATED DRAINAGE CHANNEL

SABDrain 706 Grande is the largest channel, available in both 300 & 500mm widths. This comes with steel support edging to guarantee higher performance for heavy loads and high wheeled traffic up to the class G rating. This includes aircraft traffic, loading docks, containers terminals, military and all hard wheeled vehicles. This high strength cast iron grate is equipped with an 4 point security fixing system to keep it rattle free from vehicular movements and secure from unauthorised access.



Class D



Class E



Class F



Class G

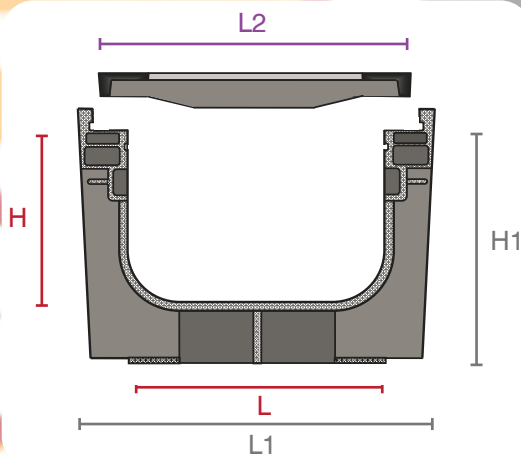


Anti-Slip

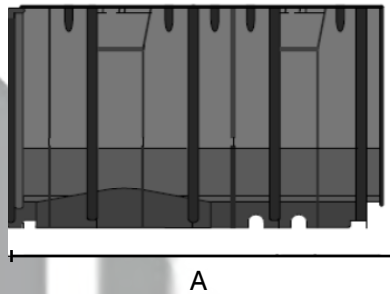


Lockdown

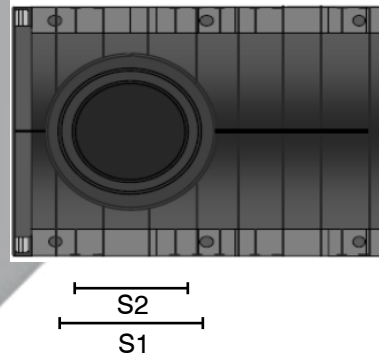
END PROFILE



BOTTOM PROFILE



SIDE PROFILE



SABDRAIN 706 GRANDE

CODE	L	H	L1	H1	L2	Drain cm ²	D1	D2	D3	D4	D5	S1	S2	A	Kg
DR706300200	300	200	390	260	376	618	-	-	-	-	-	200	160	500	23.3
DR706300300	300	300	390	360	376	618	-	-	-	-	-	200	160	500	24.0
DR706500500	500	500	590	590	660	1070	-	-	-	-	-	400	300	500	56.3

