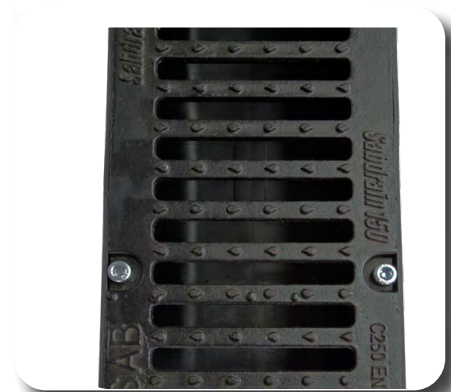




SAB drain
water drainage systems

704 GRANDE CAST IRON GRATED CHANNEL



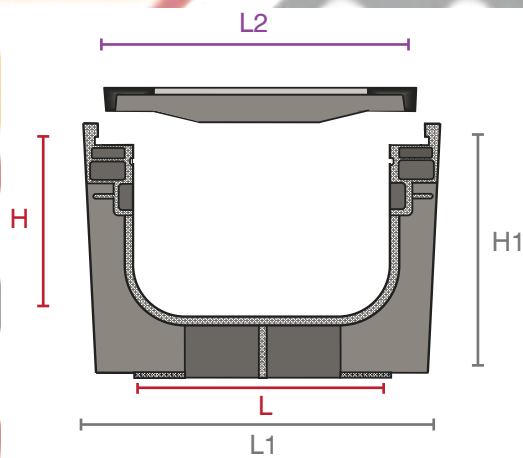
The details that make the difference.....

CLASS D CAST IRON GRATED DRAINAGE CHANNEL

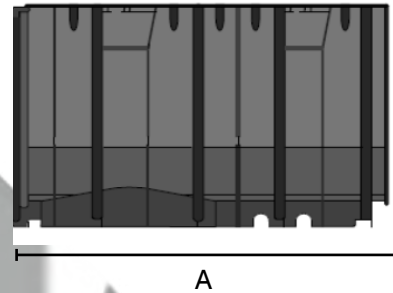
SABDrain 704 Grande is one of our largest channel and grate units available for ever increasing needs of the drainage market. While still being able to meet what is necessary to comply with the design requirements of class C & D Rating. This includes heavy commercial vehicles, roads & motorways. Each grate is equipped with a 4 point security fixing system to secure it from unauthorised access and keep it rattle free from vehicular movements along with steel side edging to give higher resistance to heavy loads.



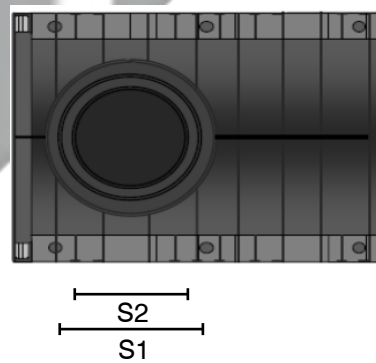
END PROFILE



BOTTOM PROFILE



SIDE PROFILE



SABDRAIN 704 GRANDE

CODE	L	H	L1	H1	L2	Drain cm ²	D1	D2	D3	D4	D5	S1	S2	A	Kg
DR704300200	300	200	390	260	376	756	-	-	-	-	-	200	160	500	20.6
DR704300300	300	300	390	360	376	756	-	-	-	-	-	200	160	500	21.3

