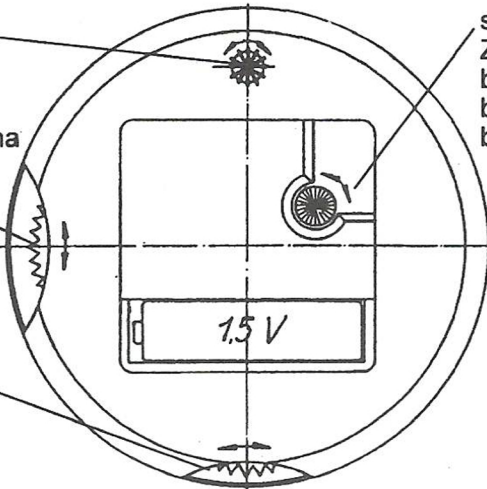


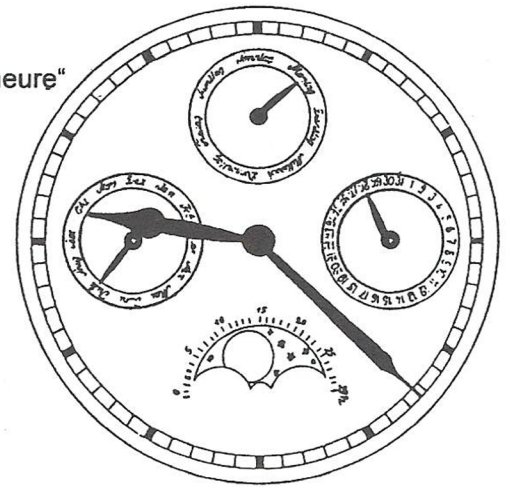
day/date  
Wochentag  
jour de la semaine  
dia de la semana  
giorno della settimana

date/months  
Datum/Monat  
date/mois  
fecha/mes  
data/mese

moonphase  
Mondphase  
phase lunaire  
fase de luna  
fasi luna



setting knob  
Zeigerstellknopf  
bouton „mise à l'heure“  
boton de puesta  
bottone posto



## MULTIFUNCTIONAL CLOCKS

with calendar, day/date, month and moonphase

1. **Insert battery**, (1,5 V IEC LR6) according to +/ – (polarity symbols).
2. **Setting the time**: turn the hand setting knob (clock- or anti-clockwise) located at the back of the case (on the movement). Be aware of the 24 hour cycle for calendar, date and moonphase. The hands are set right, when the relaying for all functions is effected between 10 p.m. and 4 a.m.
3. **Setting the date**: turn the date setting wheel located behind the dial (clock- or anticlockwise). In months with less than 31 days, the date has to be reset with setting wheel. Relaying is effected automatically.
4. **Setting the day**: turn the setting wheel (Wochentag) located behind the dial (clock- or anticlockwise). Relaying is effected automatically.
5. **Setting the month**: turn the setting wheel (Datum/Monat) located behind the dial (clock- or anticlockwise). Relaying is effected automatically.
6. **Setting the moonphase**: turn the moonphase wheel (Mondphase) located behind the dial (clock- or anticlockwise). Relaying is effected automatically.

**Attention**: If the wheels for **day/date**, **month** and **moonphase** cannot be turned, the automatic relaying pin is engaged. Please wait approx. 4-6 hours or turn the hands with the setting knob 4-6 hours ahead (or behind). After adjusting the different functions, the correct time can be set again. Never adjust time or day/date, calendar or month directly with your hands. Always use the corresponding setting wheel.