

## **BM60AT3PS, BM60HAT3PS** **60 Litre Planetary Mixer**

### **Product Features**

- Heavy duty construction
- Belt driven
- Long life gear box
- 3 fixed speeds
- Easy speed shifting
- 15 minute timer
- Attachment drive (BM60HAT3P)

### **Standard Accessories**

- Batter beater
- Dough hook
- Wire whisk
- 60 litre stainless steel bowl
- Wire safety guard
- Scraper

### **Optional Accessories**

- HL-G12SH Mincer
- HL-VS12A Slicer / Shredder
- BM60AT-12-001 Stainless steel bowl to suit 60 litre mixer
- BM60AT-12-002 Batter beater to suit 60 litre mixer
- BM60AT-12-003 AL hook to suit 60 litre mixer
- BM60AT-12-004 Stainless steel wire whip to suit 60 litre mixer
- BM60ATM Reduction kit 30 litre includes bowl, hook, beater and whisk
- BM60AT-06-003 HUB attachment drive (BM60AT3P)



**BM60ATS**

## BM60AT3PS, BM60HAT3PS 60 Litre Planetary Mixer

### Model BM60AT3PS

#### Dimensions

Width	675mm
Depth	1000mm
Height	1366mm

#### Electrical Requirements

400-415V, 3P+N+E, 50Hz, 1.50kW	
Nett Weight	405kg

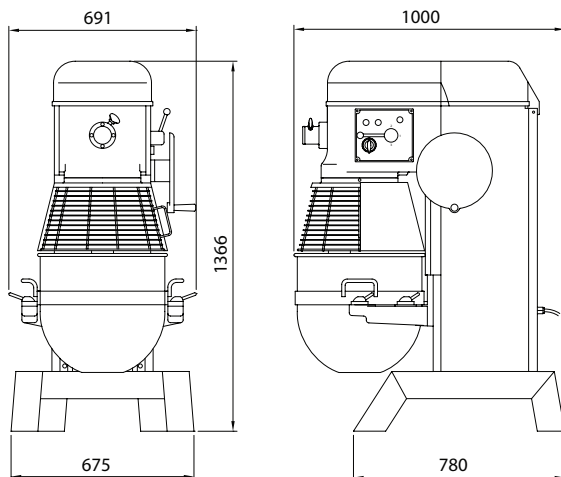
### Model BM60HAT3PS

#### Dimensions

Width	675mm
Depth	1000mm
Height	1366mm

#### Electrical Requirements

400-415V, 3P+N+E, 50Hz, 1.50kW	
Nett Weight	405kg



moffat.com.au  
moffat.co.nz

Australia  
moffat.com.au

Moffat Pty Limited

Victoria/Tasmania  
740 Springvale Road  
Mulgrave, Victoria 3170  
Telephone +613-9518 3888  
Facsimile +613-9518 3833  
vsales@moffat.com.au

New South Wales  
Telephone +612-8833 4111  
nswsales@moffat.com.au

South Australia  
Telephone +613-9518 3888  
vsales@moffat.com.au

Queensland  
Telephone +617-3630 8600  
qldsales@moffat.com.au

Western Australia  
Telephone +618-9413 2400  
wasales@moffat.com.au

New Zealand  
moffat.co.nz

Moffat Limited

Rolleston  
45 Illinois Drive  
Izone Business Hub  
Rolleston 7675  
Telephone +64 3-983 6600  
Facsimile +64 3-983 6600  
sales@moffat.co.nz

Auckland  
Telephone +64 9-574 3150  
sales@moffat.co.nz



In line with policy to continually develop and improve its products, Moffat Limited reserves the right to change specifications and design without notice.

© Copyright Moffat Ltd  
AN.P01.21