

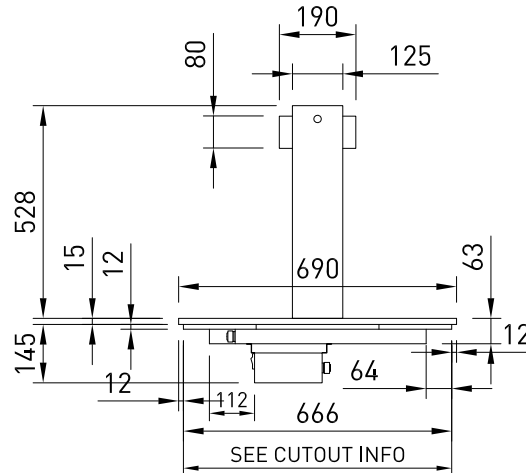
CABINET DIMENSIONS & SPECIFICATIONS

MODEL	CABINET			WEIGHT KG	BENCH TOP CUT OUT HOLE SIZE	TEMP RANGE DEG C	DISPLAY AREA M2	FREQUENCY	OPERATING CURRENT WITH LAMPS	POWER WITH LAMPS KW 230V	CONNECTION ELECTRICAL POWER CORD 3000MM NZ/AUS/UK	VOLTAGE	PACKED FOR SHIPPING			
	LENGTH [MM]	DEPTH [MM]	HEIGHT [MM]										LENGTH [MM]	DEPTH [MM]	HEIGHT [MM]	WEIGHT [KG]
LSCM3	1145	690	555	88	1115x672	60 -70	0.51	50/60 HZ	11.7 AMP	2.691	15 AMP LEAD ONLY	220-240V	1250	770	410	88
LSCM5	1825	690	555	128	1795x672	60 -70	0.86	50/60 HZ	19.6 AMP	4.508	20 AMP LEAD ONLY	220-240V	1930	770	410	128
LSCM6	2165	690	555	140	2135x672	60 -70	1.04	50/60 HZ	23.5 AMP	5.405	30 AMP LEAD ONLY	220-240V	2270	770	410	140

PRODUCT FEATURES

- Ceramic Heated Glass
- Overhead Halogen Lamps
- Digital thermostatic controller
- Heat indicating LED lights

LSCM LEFT SIDE ELEVATION



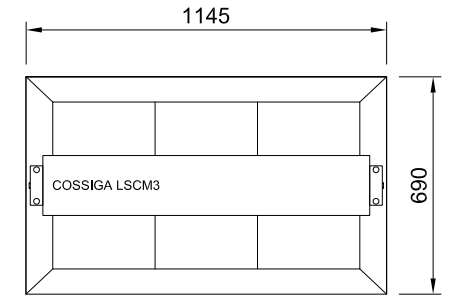
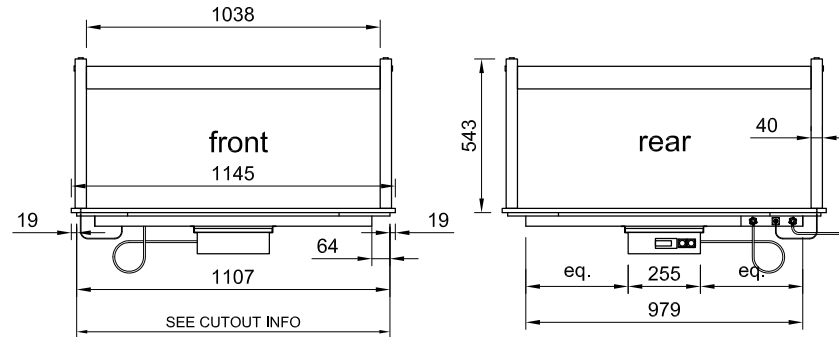
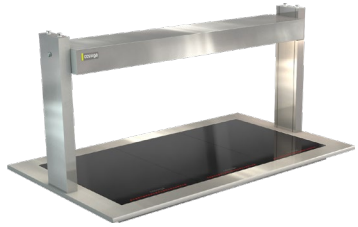
ELECTRICAL POWER

Electrical power cord 3000mm 1 phase connection required.
Unit must be hard wired on site to isolation switch.

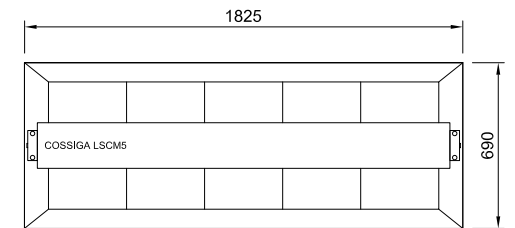
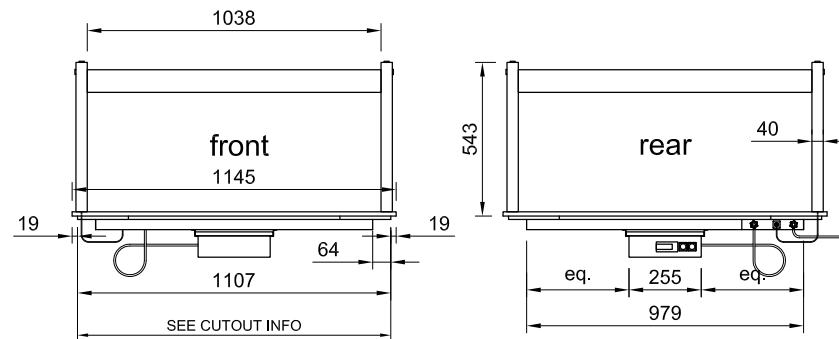
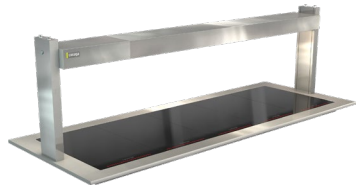
ASSEMBLY REQUIRED

Prior to installation see, installation guidelines, ventilation requirements and drainage options documents

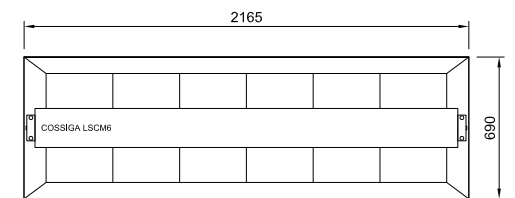
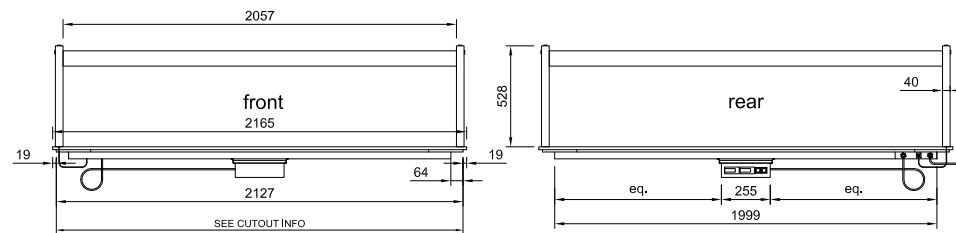
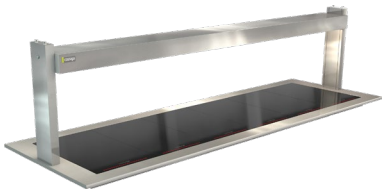
LSCM3



LSCM5



LSCM6



ASSEMBLY REQUIRED