

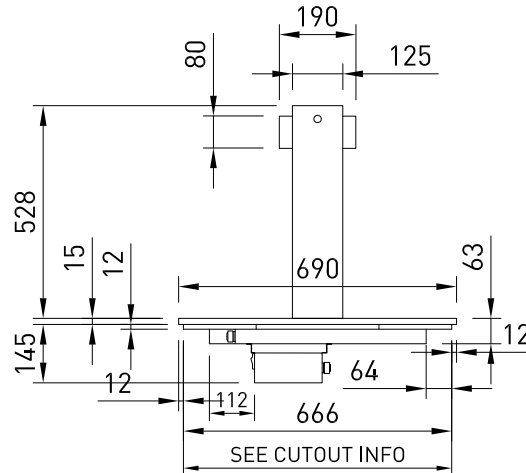
### CABINET DIMENSIONS & SPECIFICATIONS

MODEL	CABINET			WEIGHT KG	BENCH TOP CUT OUT HOLE SIZE	TEMP RANGE DEG C	DISPLAY AREA M2	FREQUENCY	OPERATING CURRENT WITH LAMPS	POWER WITH LAMPS KW 230V	CONNECTION ELECTRICAL POWER CORD 3000MM NZ/AUS/UK	VOLTAGE	PACKED FOR SHIPPING			
	LENGTH [MM]	DEPTH [MM]	HEIGHT [MM]										LENGTH [MM]	DEPTH [MM]	HEIGHT [MM]	WEIGHT [KG]
LSCM3	1145	690	555	88	1115x672	60 -70	0.51	50/60 HZ	11.7 AMP	2.691	15 AMP LEAD ONLY	220-240V	1250	770	410	88
LSCM4	1485	690	555	107	1455x672	60 -70	0.68	50/60 HZ	15.7 AMP	3.611	20 AMP LEAD ONLY	220-240V	1590	770	410	107
LSCM5	1825	690	555	128	1795x672	60 -70	0.86	50/60 HZ	19.6 AMP	4.508	20 AMP LEAD ONLY	220-240V	1930	770	410	128
LSCM6	2165	690	555	140	2135x672	60 -70	1.04	50/60 HZ	23.5 AMP	5.405	30 AMP LEAD ONLY	220-240V	2270	770	410	140

### PRODUCT FEATURES

- Ceramic Heated Glass
- Overhead Halogen Lamps
- Digital thermostatic controller
- Heat indicating LED lights

### LSCM LEFT SIDE ELEVATION



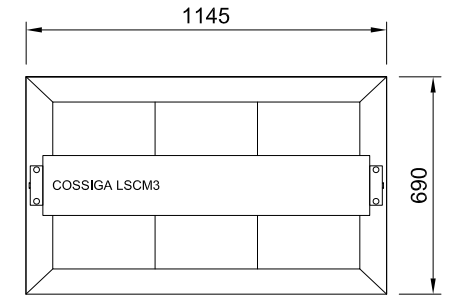
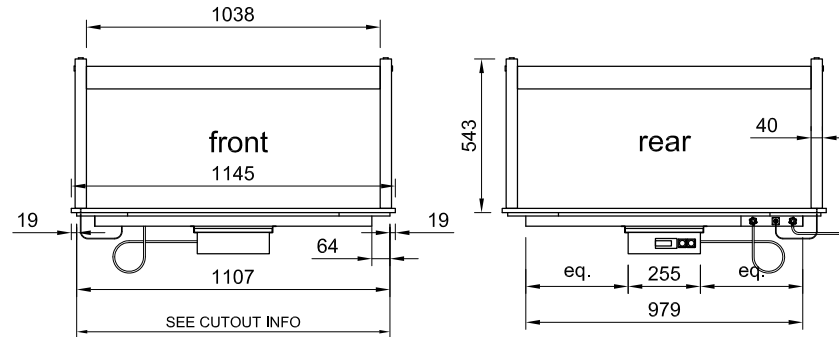
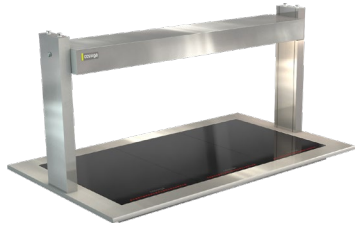
### ELECTRICAL POWER

Electrical power cord 3000mm 1 phase connection required.  
Unit must be hard wired on site to isolation switch.

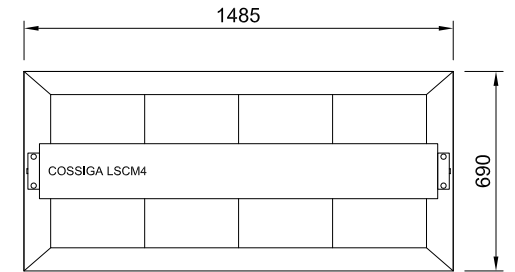
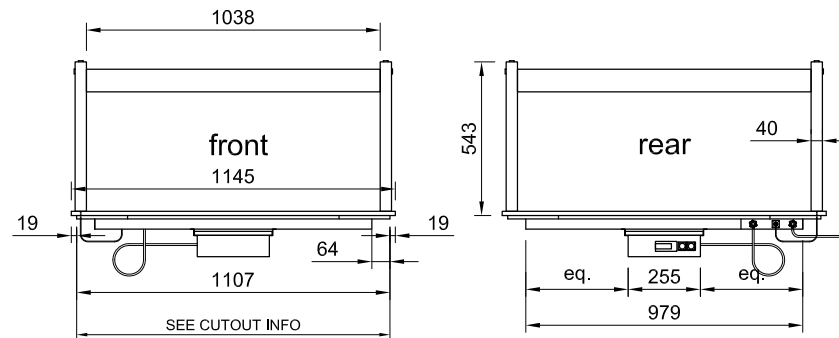
### ASSEMBLY REQUIRED

Prior to installation see, installation guidelines, ventilation requirements and drainage options documents

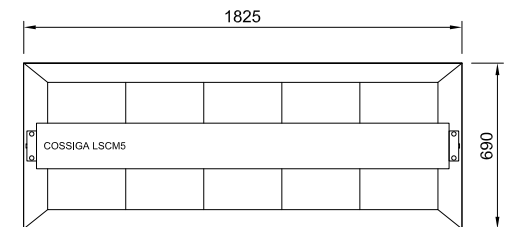
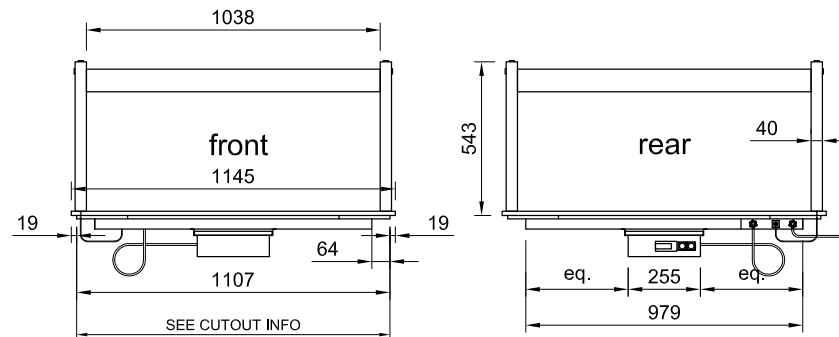
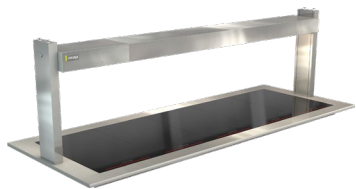
### LSCM3



### LSCM4

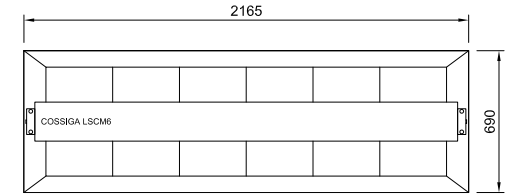
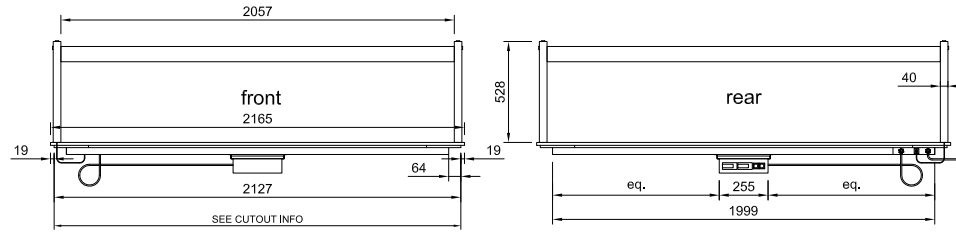
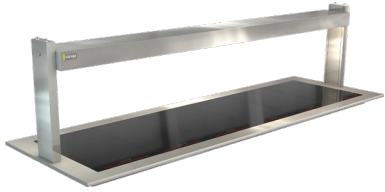


### LSCM5



### ASSEMBLY REQUIRED

LSCM6



ASSEMBLY REQUIRED

Distributor:



**chefs hat**  
Where the chefs shop

**Chefs Hat Australia Pty. Ltd**  
131 Cecil St  
South Melbourne, VIC 3205

p: +61 3 9682 1441  
e: sales@chefshat.com.au