



K+ SERIES: CSPK-1 Standalone Stock Pot Cooker

Project: _____ Item: _____



CSPK-1

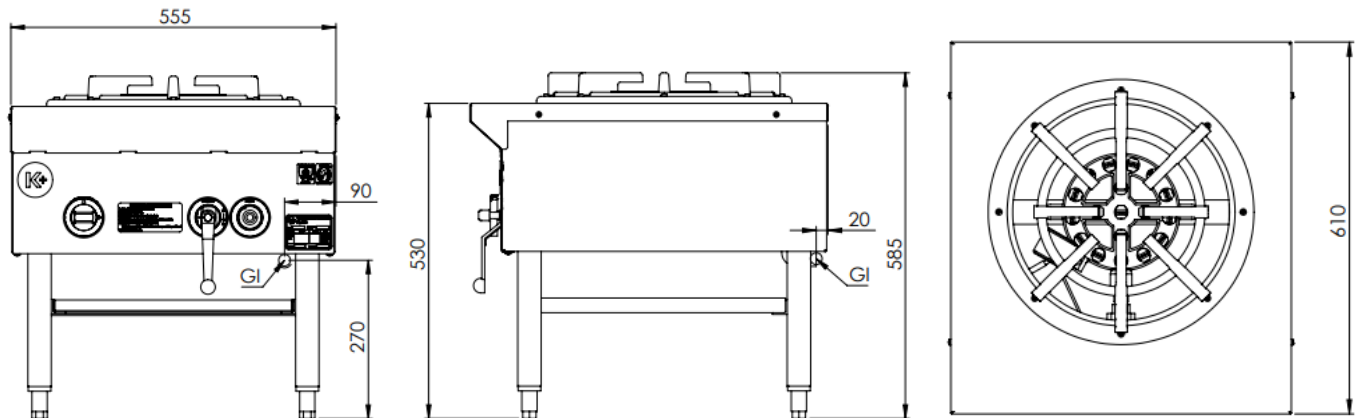
Standard Features:

- Stainless Steel External Frame
- Heavy Duty Mild Steel Internal Frame
- Heavy Duty Cast Iron Ring with removable Trivet
- 18 Jet Duck Bill Burner (DB)
- Lever Action Gas Control
- Flame Failure Device Standard
- Front access to all components makes service easy
- 18-Month Warranty

Options:

- Natural or LP Gas
- Not available with Castors

Specifications:



MODEL	LENGTH (mm)	DEPTH (mm)	HEIGHT (mm)	GAS CONSUMPTION (Mj/h)	
				NG	LPG
CSPK-1	555	610	530 (Hob) 585 (Trivet)	82	82

Connections:

GAS (GI) (BSP)	SUPPLY PRESSURE (kPa)	
	NG	LPG
¾" (M)	1.0	2.6

- Regulator is included in the unit
- **Must** be installed by an authorised installer

Due to ongoing Product Development, Product Improvement and Research, B+S Commercial Kitchens reserves the right to alter specification without notice.



B+S Commercial Kitchens
57 Plateau Road Reservoir VIC 3073 Australia | +61 3 9469 4754
info@bscommercialkitchens.com | www.bscommercialkitchens.com

