

The Ball Gouge is a spherically shaped grinder attachment that can rapidly hollow small concave surfaces in woodworking projects. It is specifically designed to provide exceptional **control, balance and performance** in freehand wood shaping and carving.




This 30mm diameter ball-shaped cutter is ideal for crafting **smooth hollows in wooden spoons, small bowls** and is useful for **small to medium sculpting**.

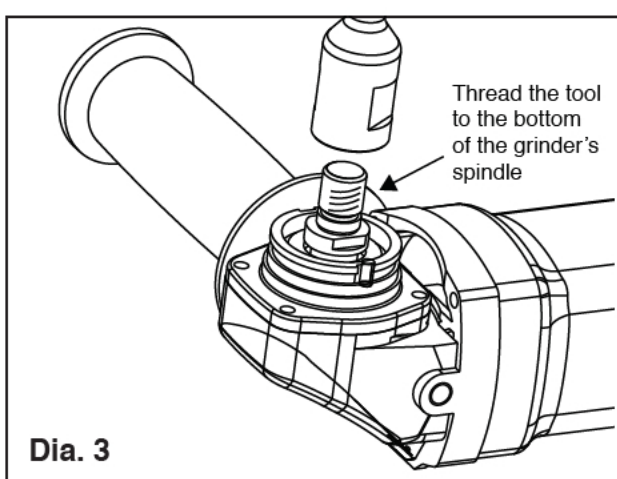
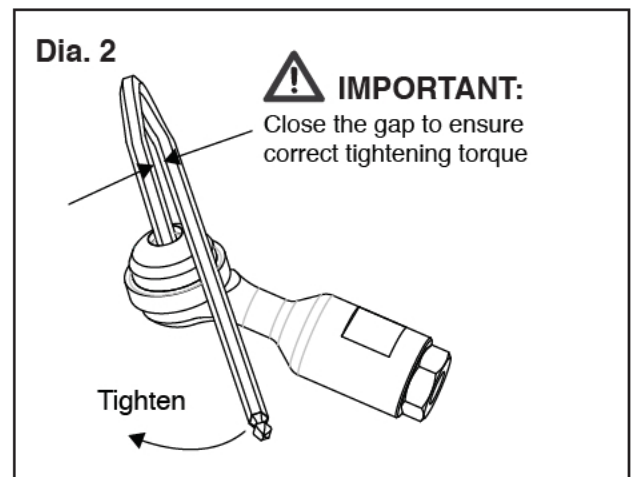
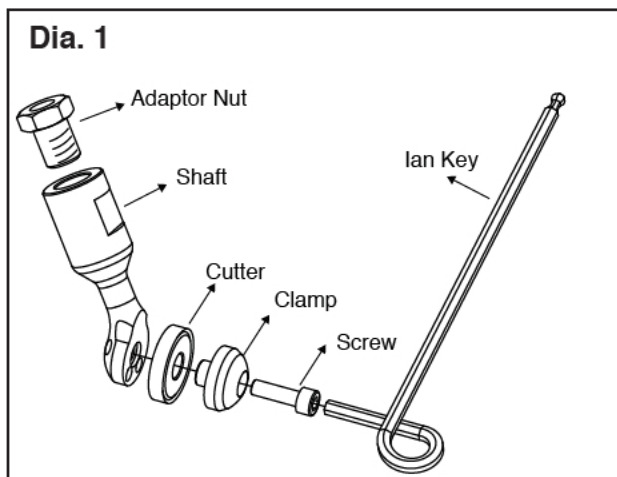
The Ball Gouge features **Anti-Grab Technology**, which helps preventing the tool from digging in. It gently bounces out when moved across a wooden surface, creating a **chisel-like texture**. The tool has a unique **ring-shaped cutter** that has been engineered to **self-sharpen** when in use, prolonging the life of the cutter to provide **optimal value and durability**.

SAFETY INSTRUCTIONS:

WARNING: Read and understand all safety warnings, instructions, and tool markings before starting any work. Failure to follow the instructions may result in serious injury.



1. **Keep work area safe, clean and well lit.** Keep children and bystanders away while operating the tool.
2.    **Use personal protective equipment** such as face shield, suitable safety gloves and dust mask.
3. **This tool must only be used on an angle grinder fitted with an auxiliary side handle.** Always use two hands to operate the grinder and ensure that work piece is firmly secured.
4. **Carefully follow assembly and cutter mounting instructions.** (see Diagram 1 and 2)
5. **Rotate cutter regularly to extend life.** Cutter can be rotated to a new sharp edge or completely replaced should the cutter become worn over time.
6. **When replacing the cutter (BAL.FG.2010) make sure the clamping surfaces are clean.**



IMPORTANT: Ensure bolt is correctly tightened with the Ian Key. Stop tightening the screw when gap on the Ian key is closed (see Diagram 2).

Thread the tool to the bottom of the grinder's spindle. Do not use any backing flange or spacers. (see Diagram 3)

Included with the Ball Gouge:

- 1 x Ball Gouge
- 1 x Ian Key
- 1 x Adaptor nut (AUS, NZ, UK only)